



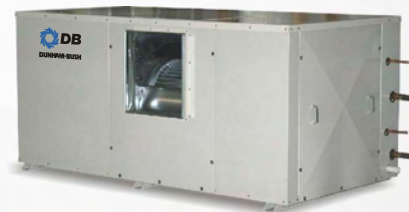
## 6ACCS-P, 6EB-DP, 6HEB-DP, 6VEB-DP Series 60Hz

Air Cooled Split Systems

Cooling Capacity : 60 to 1360 MBH (18 to 398 kW)



6ACCS-P (Outdoor)



6HEB-DP (Indoor)



6VEB-DP (Indoor)

**R<sub>22</sub>**

**R<sub>407C</sub>**

# DUNHAM-BUSH

Products that perform...By people who care

# AIR-COOLED CONDENSING UNITS

## GENERAL DESCRIPTION

The 6ACCS series with new features is suitable for hotel, office, hospitals, schools, factory and supermarket applications. The low noise and compact series are completely leak tested, evacuated, dehydrated and charged with dry nitrogen to maintain system “dryness” prior to field piping connections.

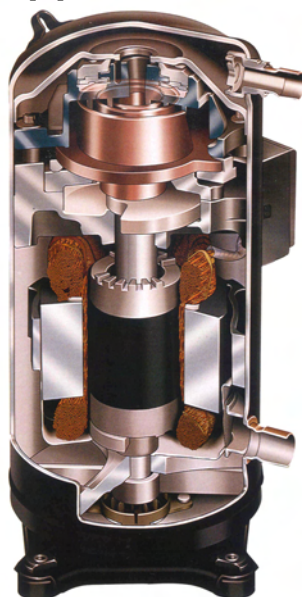
## Scroll Compressor(s)

### Reliability

- \* No contact scroll design that minimizes friction, increases volumetric efficiency and reduces vibration, thus longer service life.
- \* Suction gas cooled motor.

### Low Power Consumption:

- \* High EER.
- \* No crankcase heater required.



## Tandem Compressor

(6ACCS 640 to 1520)

For condensing units, every two compressors is connected in tandem, to reduce refrigerant circuits to 3 or 4 and thus reduce the cost of labor and materials for field piping connection works.



## Class F Insulation Condenser Fan Motor (6ACCS 108 to 1520)

- \* Extra safety margin and longer motor life even in extreme operating conditions.

- \* IP 55 construction ensure extra motor protection
- \* Low motor speed at 950 rpm ensures quiet condenser fan operation.

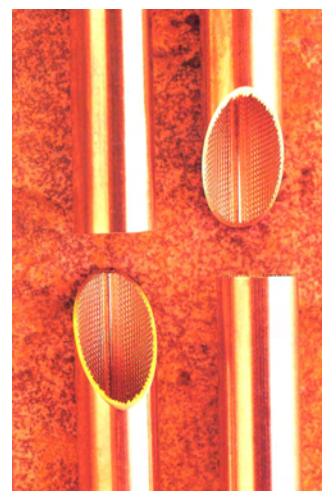
## Multiple Compressor

(6ACCS 220 to 1520)

- \* By cycling off compressor(s) operation to match building load, no energy is being wasted when room load requires lesser cooling capacity.
- \* No total shut down when servicing or repairing a faulty compressor.

## Efficient Condenser Coil

- \* Staggered row of 3/8"OD inner groove tubes with 25 to 30% more surface area guarantee better heat transfer.
- \* Mechanically expanded into die-formed corrugated aluminum fins.
- \* Integral subcooling circuit to maximize efficiency.
- \* Leak and pressure tested to 450 psig.



## Fully Leak Tested Refrigerant Circuit

- \* Leak and pressure tested at 450 psig.
- \* Pressure ports are provided on the discharge, liquid and suction line.
- \* Evacuated, dehydrated and pressurized with dry nitrogen for storage and shipping purpose.

## Safety Control

- \* High-low pressure cutout to protect compressor from high discharge pressure and system leakage.

## Casing

- \* Constructed from heavy gauge galvanized steel.
- \* Panels are painted powder coated paint for excellent finish, weatherability and corrosion resistance.

# DUCTED EVAPORATOR BLOWER UNITS

## GENERAL DESCRIPTION

The ducted evaporator-blower units; each consist of an evaporator coil, a centrifugal forward-curved blower fan complete with drive package and filters and enclosed in a single fiberglass insulated rigid steel cabinetry; are completely factory packaged to provide greater flexibility to the building owners, consultants, architects and installers. These flexibility includes;

- \* A wide range of model sizes covering cooling capacities from 61 to 1360 MBH; and each model size also has a wide band of air-flow rates (cfms) covering a wide band of static pressure to meet almost any system demands.
- \* Except for 6HEB 68D to 6HEB 95D which are specially designed for ducted, ceiling application, all other sizes allow flexibility for either horizontal air discharge or vertical air discharge ducted connections.
- \* All units can be provided with left or right hand piping connections. Except for 6HEB 68D to 6HEB 95D, which are direct driven, all units can also be left or right hand motor location to ease installation at site. This must be specified at the time of order entry to factory.

## Efficient Evaporator Coil

- \* Independent thermal expansion valve with external equalizer for better refrigerant control and wider load condition.
- \* Leak and pressure tested to 450 psig
- \* Evacuated, dehydrated and charged with dry nitrogen.

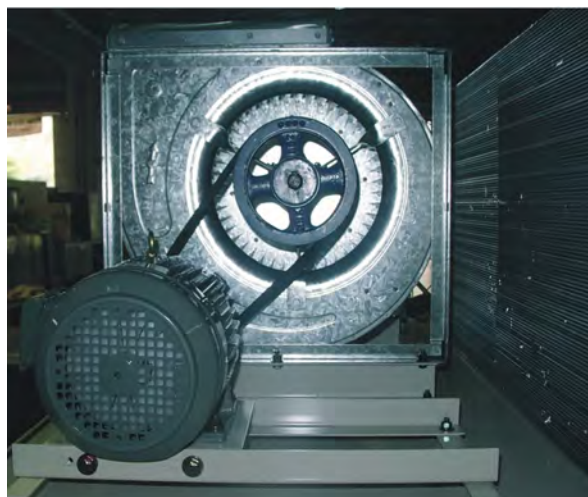
## Drive Package and Blowers

(6HEB 108D to EB 1520D, 6VEB 108D to 6VEB 250D)

- \* Belt driven drive package offers flexibility on

various air flow rate and various static pressure applications.

- \* Single large diameter double inlet double width blowers (AMCA certified) reduce the noise level and eliminates the need for common transition and eliminates air unbalance.



## Casing

- \* Constructed of cold rolled heavy gauge steel sheet and insulated with 1/2" thick x 1 1/2 lb/ft<sup>3</sup> (up to EB 760D) and 1" x 1 1/2 lb/ft<sup>3</sup> (EB 800D and above) linacoustic fiberglass.
- \* Aesthetically coated powder paint to provide excellent finish, weatherability and corrosion resistance.
- \* Removable panels on the left and right hand side of the unit to provide access to critical parts and components.

## Filters

Side loading 1" thick filters - from both sides-thus eliminates unnecessary duct opening at site.

# OPTIONAL ACCESSORIES FEATURES

- \* Factory wired starters
  - DOL for compressors and fan motors.
  - Auto-transformer for compressors.
- \* Suction stop valve(s), discharge stop valve(s) and liquid stop valve(s).
- \* Fan staging of multiple fans for head pressure control.
- \* Thermostat.
- \* Hydrophilic fins or copper fins for better corrosion resistance.
- \* Liquid line filter drier and sight glass.
- \* Hot gas by pass for low load and low ambient conditions.
- \* Hot water heating coils.
- \* Electric heaters.
- \* Optional R407C refrigerant.

# MATCH SYSTEM COOLING

## PERFORMANCE DATA

**R22**

SINGLE COND. UNIT MODEL	EVAP. BLOWER MODEL	STD. CAPACITY MBH	AIR ON EVAP.		AIR TEMPERATURE ON CONDENSER COIL - °F								
			CFM	WB TEMP. °F	75			95			115		
					TOTAL MBH <sup>1</sup>	SENS MBH <sup>2</sup>	KW <sup>3</sup>	TOTAL MBH <sup>1</sup>	SENS MBH <sup>2</sup>	KW <sup>3</sup>	TOTAL MBH <sup>1</sup>	SENS MBH <sup>2</sup>	KW <sup>3</sup>
6ACCS 68	6HEB 68D	60.7	2000	72	68.2	36.9	4.2	64.4	35.1	4.5	60.7	31.8	4.7
				67	65.1	49.4	4.1	60.7	46.1	4.4	57.5	43.8	4.6
				62	59.3	53.4	3.9	55.6	55.6	4.3	52.4	47.2	4.5
				57	52.4	52.4	3.9	48.7	48.7	4.3	46.1	46.1	4.5
6ACCS 81	6HEB 81D	73.0	2400	72	81.8	44.3	5.1	77.2	42.0	5.5	72.8	38.0	5.8
				67	78.0	59.2	5.0	73.0	55.3	5.4	68.8	52.4	5.7
				62	71.1	64.0	4.8	66.6	60.0	5.3	62.8	56.5	5.5
				57	62.9	62.9	4.8	58.4	58.4	5.2	55.3	55.3	5.5
6ACCS 95	6HEB 95D	85.9	2600	72	96.6	52.9	5.9	91.0	49.9	6.3	85.9	47.1	6.6
				67	92.2	70.3	5.7	85.9	65.6	6.2	81.4	62.2	6.5
				62	84.1	75.7	5.7	78.8	70.9	6.1	74.3	66.9	6.4
				57	74.3	74.3	5.5	69.0	69.0	6.0	65.3	65.3	6.3
6ACCS 108	6VEB 108D 6HEB 108D	100.0	3200	72	112.4	61.6	6.9	106.0	58.0	7.3	100.0	54.8	7.7
				67	107.3	81.8	6.7	100.0	76.3	7.2	94.8	72.3	7.6
				62	97.9	97.9	6.6	91.7	91.7	7.1	86.4	86.4	7.5
				57	86.4	86.4	6.4	80.3	80.3	7.1	76.0	76.0	7.4
6ACCS 125	6VEB 125D 6HEB 125D	112.5	3500	72	125.5	69.1	7.5	119.3	65.0	8.0	111.6	61.3	8.4
				67	119.8	91.2	7.3	112.5	85.0	8.0	105.8	80.4	8.4
				62	109.2	98.3	7.2	103.1	92.8	7.8	96.5	86.9	8.2
				57	96.5	96.5	7.1	90.2	90.2	7.7	84.8	84.8	8.1
6ACCS 145	6VEB 145D 6HEB 145D	130.3	4000	72	145.4	71.6	8.5	138.2	67.4	9.1	129.3	63.5	9.6
				67	138.8	94.5	8.3	130.0	88.1	9.1	122.5	83.3	9.6
				62	126.5	113.2	8.2	119.4	106.0	8.9	111.8	100.0	9.3
				57	111.8	111.8	8.1	104.5	104.5	8.8	98.2	98.2	9.2
6ACCS 160	6VEB 160D 6HEB 160D	150.0	4600	72	169.0	99.0	10.3	159.3	93.3	11.0	150.2	87.8	11.5
				67	161.2	134.1	9.9	150.0	120.9	10.9	142.4	118.5	11.4
				62	147.2	132.5	9.8	137.8	124.0	10.7	129.9	116.9	11.1
				57	129.9	129.9	9.7	120.4	120.4	10.5	114.2	114.2	11.0
6ACCS 190	6VEB 190D 6HEB 190D	170.0	4800	72	191.4	94.6	11.7	180.3	98.4	12.5	170.0	92.9	13.1
				67	182.6	137.9	11.4	170.0	128.5	12.3	161.3	121.8	12.9
				62	166.5	149.9	11.2	155.9	140.3	12.1	147.2	132.5	12.7
				57	147.2	147.2	11.0	136.5	136.5	11.9	129.3	129.3	12.6
6ACCS 220	6VEB 220D 6HEB 220D	200.0	5400	72	226.2	134.9	13.6	213.1	127.2	14.4	200.0	119.1	15.3
				67	212.1	180.0	13.5	200.0	169.7	14.3	187.8	159.3	15.3
				62	196.0	176.4	13.3	185.8	167.2	14.2	173.7	156.3	15.2
				57	177.8	177.8	13.2	167.7	167.7	14.1	157.6	157.6	15.0
6ACCS 250	6VEB 250D 6EB 250D	225.0	6400	72	251.0	136.0	15.2	236.6	128.1	16.2	223.2	120.8	16.9
				67	239.5	178.5	14.7	225.0	168.0	16.1	211.6	159.4	16.8
				62	218.5	196.7	14.5	204.6	184.1	15.7	193.0	173.7	16.5
				57	193.0	193.0	14.3	179.0	179.0	15.5	169.6	169.6	16.3
6ACCS 290	6EB 290D	260.0	7500	72	290.0	149.5	17.7	273.1	140.7	18.8	256.4	132.2	20.0
				67	271.9	191.7	17.6	260.0	180.8	18.6	240.9	169.7	19.9
				62	250.9	225.8	17.3	238.2	214.4	18.6	222.7	200.4	19.8
				57	227.9	227.9	17.2	215.0	215.0	18.4	202.1	202.1	19.6
6ACCS 320	6EB 320D	300.0	8000	72	339.4	173.8	20.6	319.8	163.8	21.9	300.0	153.8	23.2
				67	318.2	221.5	20.5	300.0	208.7	21.7	281.8	196.1	23.1
				62	294.0	264.6	20.1	278.7	250.8	21.5	251.4	226.3	23.0
				57	266.7	266.7	20.0	251.5	251.5	21.4	236.3	236.3	22.8
6ACCS 380	6EB 380D	350.0	9200	72	393.4	209.6	24.1	370.7	197.5	25.5	349.7	186.3	27.1
				67	375.2	276.2	23.9	350.0	257.4	25.4	331.4	244.1	27.0
				62	342.2	308.0	23.5	320.7	288.6	25.2	302.5	272.3	26.8
				57	302.5	302.5	23.3	280.4	280.4	25.0	265.7	265.7	26.6
6ACCS 435	6EB 435D	390.0	11500	72	436.8	211.4	27.4	413.4	200.9	29.1	390.0	182.4	30.9
				67	417.3	282.8	27.2	390.0	264.3	29.1	370.5	251.1	30.7
				62	382.2	340.9	26.7	358.8	317.2	28.7	335.4	301.3	30.6
				57	335.4	335.4	26.6	312.0	312.0	28.4	296.4	296.4	30.3

NOTES : 1.) RATINGS ARE GROSS CAPACITIES - FOR NET CAPACITIES , DEDUCT EVAPORATOR BLOWER MOTOR HEAT.  
 2.) AT 80 °F ( 26.6°C ) AIR ON EVAPORATOR.  
 3.) COMPRESSOR KW INPUT.

# MATCH SYSTEM COOLING

## PERFORMANCE DATA

**R22**

SINGLE COND. UNIT MODEL	EVAP. BLOWER MODEL	STD. CAPACITY MBH	AIR ON EVAP.		AIR TEMPERATURE ON CONDENSER COIL - °F								
			CFM	WB TEMP. °F	75			95			115		
					TOTAL MBH <sup>1</sup>	SENS MBH <sup>2</sup>	KW <sup>3</sup>	TOTAL MBH <sup>1</sup>	SENS MBH <sup>2</sup>	KW <sup>3</sup>	TOTAL MBH <sup>1</sup>	SENS MBH <sup>2</sup>	KW <sup>3</sup>
6ACCS 480	6EB 480D	435.0	12000	72	491.2	253.6	29.8	462.6	238.8	31.6	434.1	224.0	33.6
				67	460.3	380.0	29.6	435.0	306.0	31.4	407.9	287.5	33.4
				62	425.4	382.9	29.1	403.4	363.1	31.2	377.1	339.4	33.2
				57	386.0	386.0	28.9	363.9	363.9	30.9	341.8	341.8	33.0
6ACCS 510	6EB 510D	460.0	14000	72	520.6	267.1	31.7	490.3	251.6	33.7	460.1	236.1	35.8
				67	488.0	339.1	31.5	460.0	319.9	33.4	432.2	300.4	35.7
				62	450.8	405.7	31.0	427.6	384.8	33.1	399.7	359.7	35.4
				57	409.0	409.0	30.7	385.7	385.7	33.0	362.4	362.4	35.1
6ACCS 570	6EB 570D	510.0	15000	72	577.1	299.5	35.1	543.6	280.3	37.2	510.1	262.9	39.6
				67	541.1	445.4	34.8	510.0	358.7	37.0	479.2	337.0	39.4
				62	499.8	449.8	34.2	474.1	426.7	36.7	443.1	398.8	39.1
				57	453.4	453.4	34.0	427.6	427.6	36.4	401.8	401.8	38.8
6ACCS 640	6EB 640D	580.0	16000	72	656.4	335.2	39.7	618.2	315.8	42.1	580.1	296.4	44.8
				67	615.3	424.0	39.4	580.0	399.7	41.8	545.0	375.5	44.5
				62	568.4	511.6	38.8	539.1	485.2	41.5	504.1	453.7	44.3
				57	515.7	515.7	38.6	486.4	486.4	41.2	457.1	457.1	43.9
6ACCS 700	6EB 700D	640.0	17200	72	723.9	371.3	44.0	681.9	349.7	46.7	639.8	329.8	49.6
				67	678.7	471.7	43.7	640.0	444.9	46.3	600.8	417.9	49.4
				62	626.9	564.2	43.0	594.6	535.1	46.1	556.0	500.4	49.0
				57	568.7	568.7	42.7	536.4	536.4	45.7	504.1	504.1	48.7
6ACCS 760	6EB 760D	690.0	18000	72	781.1	400.7	47.5	735.8	377.3	50.4	690.4	355.9	53.6
				67	732.4	509.0	47.2	690.0	480.1	50.1	648.3	451.0	53.4
				62	676.5	608.9	46.4	641.7	577.5	49.7	599.9	539.9	53.0
				57	613.7	613.7	46.1	578.8	578.8	49.3	543.9	543.9	52.6
6ACCS 800	6EB 800D	740.0	19600	72	837.6	429.6	50.7	789.0	404.6	53.8	740.3	381.6	57.2
				67	785.3	545.8	50.4	740.0	514.7	53.4	695.2	483.6	56.9
				62	725.4	652.9	49.5	688.0	619.2	53.0	643.3	579.0	56.5
				57	658.0	658.0	49.2	620.7	620.7	52.6	583.4	583.4	56.1
6ACCS 890	6EB 890D	810.0	21000	72	906.9	468.6	55.2	854.4	441.1	58.6	801.7	414.0	62.3
				67	850.2	574.2	54.9	810.0	565.5	58.2	753.1	531.2	62.0
				62	785.5	707.0	54.0	745.0	670.5	57.8	696.4	626.8	61.6
				57	712.6	712.6	53.5	672.2	672.2	57.3	631.8	631.8	61.1
6ACCS 960	6EB 960D	880.0	23000	72	995.8	514.5	60.2	938.1	484.4	63.9	880.3	454.6	67.9
				67	933.6	630.4	59.8	880.0	621.0	63.5	826.9	583.3	67.7
				62	862.5	776.3	58.9	818.1	736.3	63.0	764.7	688.2	67.2
				57	782.5	782.5	58.4	738.0	738.0	62.5	693.5	693.5	66.6
6ACCS 1020	6EB 1020D	930.0	25800	72	1049.7	542.3	63.8	988.9	510.6	67.7	928.0	479.2	71.9
				67	984.1	664.6	63.3	930.0	654.6	67.2	871.7	614.8	71.6
				62	909.2	818.3	62.3	862.4	776.2	66.7	806.1	725.5	71.1
				57	824.8	824.8	61.8	778.0	778.0	66.2	731.2	731.2	70.6
6ACCS 1140	6EB 1140D	1020.0	26400	72	1153.8	596.1	70.2	1086.9	561.2	74.5	1019.9	526.7	79.1
				67	1081.7	730.4	69.7	1020.0	719.4	74.0	958.1	675.8	78.8
				62	999.3	899.4	68.6	947.8	853.0	73.4	886.0	797.4	78.2
				57	906.6	906.6	68.0	855.1	855.1	72.8	803.6	803.6	77.6
6ACCS 1340	6EB 1340D	1220.0	32000	72	1362.8	704.1	83.6	1283.8	662.9	88.8	1204.7	622.1	94.3
				67	1277.6	862.7	83.0	1220.0	849.8	88.2	1131.6	798.2	93.9
				62	1180.3	1062.3	81.7	1119.5	1007.6	87.5	1046.5	941.9	93.2
				57	1070.8	1070.8	81.0	1010.0	1010.0	86.8	949.2	949.2	92.5
6ACCS 1520	6EB 1520D	1360.0	36000	72	1541.5	796.4	93.6	1452.2	749.8	99.3	1362.7	703.7	105.5
				67	1445.2	975.9	92.9	1360.0	961.2	98.7	1280.0	902.9	105.1
				62	1335.1	1201.6	91.5	1266.3	1139.7	97.9	1183.7	1065.3	104.3
				57	1211.3	1211.3	90.7	1142.5	1142.5	97.1	1073.7	1073.7	103.5

NOTES : 1.) RATINGS ARE GROSS CAPACITIES - FOR NET CAPACITIES, DEDUCT EVAPORATOR BLOWER MOTOR HEAT.  
 2.) AT 80 °F ( 26.6°C ) AIR ON EVAPORATOR.  
 3.) COMPRESSOR KW INPUT.

# MATCH SYSTEM COOLING

## PERFORMANCE DATA

## R407C

SINGLE COND. UNIT MODEL	EVAP. BLOWER MODEL	NOM. CAPACITY MBH	AIR ON EVAP.		AIR TEMPERATURE ON CONDENSER COIL - °F								
			FLOW CFM	WB TEMP. °F	75°F			95°F			115°F		
					TOTAL MBH	SENS MBH	KW	TOTAL MBH	SENS MBH	KW	TOTAL MBH	SENS MBH	KW
6ACCS 68 P	6HEB 68D P	59.2	2000	72	66.6	36.3	4.2	62.9	34.5	4.5	59.2	31.3	4.7
				67	63.6	48.8	4.1	59.2	45.5	4.4	56.1	43.2	4.6
				62	57.9	57.9	3.9	54.3	54.3	4.3	51.1	51.1	4.5
				57	51.2	51.2	3.9	47.5	47.5	4.3	44.9	44.9	4.5
6ACCS 81 P	6HEB 81D P	72.6	2400	72	83.2	45.4	5.1	78.5	43.1	5.5	73.9	39.0	5.8
				67	79.4	60.9	5.0	72.6	56.9	5.4	69.9	53.9	5.7
				62	72.4	72.4	4.8	67.7	67.7	5.3	63.8	63.8	5.5
				57	64.0	64.0	4.8	59.3	59.3	5.2	56.2	56.2	5.5
6ACCS 95 P	6HEB 95D P	83.8	2600	72	94.4	52.1	5.9	88.8	49.1	6.3	83.8	46.3	6.6
				67	90.1	69.4	5.7	83.8	64.7	6.2	79.4	61.4	6.5
				62	82.2	82.2	5.7	76.9	76.9	6.1	72.4	72.4	6.4
				57	72.6	72.6	5.5	67.3	67.3	6.0	63.7	63.7	6.3
6ACCS 108 P	6HEB 108D P 6VEB108D P	97.6	3200	72	109.8	60.6	6.9	103.5	57.1	7.3	97.5	53.9	7.7
				67	104.8	80.7	6.7	97.6	75.3	7.2	92.4	71.4	7.6
				62	95.6	95.6	6.6	89.5	89.5	7.1	84.2	84.2	7.5
				57	84.4	84.4	6.4	78.4	78.4	7.1	74.1	74.1	7.4
6ACCS 125 P	6HEB 125D P 6VEB108D P	109.8	3500	72	122.6	68.0	7.5	116.4	64.0	8.0	108.8	60.3	8.4
				67	117.0	90.0	7.3	109.8	83.9	8.0	103.2	79.4	8.4
				62	106.7	106.7	7.2	100.6	100.6	7.8	94.1	94.1	8.2
				57	94.3	94.3	7.1	88.0	88.0	7.7	82.7	82.7	8.1
6ACCS 145 P	6HEB 145D P 6VEB145D P	127.2	4000	72	142.1	70.5	8.5	130.0	66.3	9.1	126.1	62.5	9.6
				67	135.6	93.3	8.3	127.2	87.0	9.1	119.4	82.2	9.6
				62	123.6	112.0	8.2	116.5	104.8	8.9	109.0	98.9	9.3
				57	109.2	109.2	8.1	102.0	91.9	8.8	95.7	87.0	9.2
6ACCS 160 P	6HEB 160D P 6VEB160D P	146.4	4600	72	165.1	97.4	10.4	155.5	91.8	11.1	146.4	86.4	11.6
				67	157.5	132.4	9.9	146.4	119.3	11.0	138.8	117.0	11.5
				62	143.8	143.8	9.8	134.5	134.5	10.8	126.7	126.7	11.2
				57	126.9	126.9	9.7	117.5	117.5	10.6	111.3	111.3	11.1
6ACCS 190 P	6HEB 190D P 6VEB190D P	165.9	4800	72	187.0	93.1	11.8	176.0	96.8	12.6	165.8	91.4	13.2
				67	178.4	136.1	11.5	165.9	126.8	12.4	157.3	120.2	13.0
				62	162.7	162.7	11.3	152.2	152.2	12.2	143.5	143.5	12.8
				57	143.8	143.8	11.1	133.2	133.2	12.0	126.1	126.1	12.7
6ACCS 220 P	6HEB 220D P 6VEB220D P	195.2	5400	72	221.0	132.7	13.7	208.0	125.2	14.5	195.0	117.2	15.4
				67	207.2	177.7	13.6	195.2	167.5	14.4	183.1	157.2	15.4
				62	191.5	191.5	13.4	181.3	181.3	14.3	169.4	169.4	15.3
				57	173.7	173.7	13.3	163.7	163.7	14.2	148.1	148.1	15.1
6ACCS 250 P	EB250D P 6VEB250D P	219.6	6400	72	245.2	133.8	15.3	230.9	126.1	16.3	217.6	118.9	17.0
				67	234.0	176.2	14.8	219.6	165.8	16.2	206.3	157.3	16.9
				62	213.5	208.6	14.6	199.7	199.7	15.8	188.2	188.2	16.6
				57	188.6	188.6	14.4	174.7	174.7	15.6	165.4	165.4	16.4
6ACCS 290 P	EB 290D P	253.8	7500	72	283.3	147.1	17.8	266.5	138.4	18.9	250.0	130.1	20.1
				67	265.6	189.2	17.7	253.8	178.4	18.7	234.9	167.5	20.0
				62	245.1	228.4	17.4	232.5	216.6	18.7	217.1	202.3	19.9
				57	222.7	222.7	17.3	209.8	209.8	18.5	192.6	192.6	19.7
6ACCS 320 P	EB 320D P	292.8	8000	72	331.6	171.0	20.7	312.1	161.2	22.0	292.5	151.3	23.3
				67	310.9	218.6	20.6	292.8	206.0	21.8	274.8	193.6	23.2
				62	287.2	262.3	20.2	272.0	239.7	21.6	245.1	232.7	23.1
				57	260.6	260.6	20.1	245.5	245.5	21.5	222.1	222.1	22.9
6ACCS 380 P	EB 380D P	341.6	9200	72	384.4	206.2	24.2	361.8	194.3	25.6	341.0	183.3	27.2
				67	366.6	272.6	24.0	341.6	254.1	25.5	323.1	240.9	27.1
				62	334.3	330.5	23.6	313.0	309.7	25.3	294.9	292.2	26.9
				57	295.5	295.5	23.4	273.7	273.7	25.1	259.1	259.1	26.7

NOTES : 1.) RATINGS ARE GROSS CAPACITIES - FOR NET CAPACITIES, DEDUCT EVAPORATOR BLOWER MOTOR HEAT.  
 2.) AT 80 °F ( 26.6°C ) AIR ON EVAPORATOR.  
 3.) COMPRESSOR KW INPUT

# MATCH SYSTEM COOLING

## PERFORMANCE DATA

## R407C

SINGLE COND. UNIT MODEL	EVAP. BLOWER MODEL	NOM. CAPACITY MBH	AIR ON EVAP.		AIR TEMPERATURE ON CONDENSER COIL - °F								
			FLOW CFM	WB TEMP. °F	75°F			95°F			115°F		
					TOTAL MBH	SENS MBH	KW	TOTAL MBH	SENS MBH	KW	TOTAL MBH	SENS MBH	KW
6ACCS 435 P	6EB 435D P	380.6	11500	72	426.8	208.0	27.5	403.5	197.7	29.2	380.3	179.5	31.1
				67	407.7	279.1	27.3	380.6	260.9	29.2	361.2	247.8	30.9
				62	373.4	337.2	26.8	350.2	313.7	28.8	327.0	298.0	30.8
				57	327.7	327.7	26.7	304.5	304.5	28.5	289.0	289.0	30.5
6ACCS 480 P	6EB 480D P	424.6	12000	72	479.9	249.5	29.9	451.5	235.0	31.8	423.2	220.4	33.8
				67	449.7	375.1	29.7	424.6	302.0	31.6	397.7	283.8	33.6
				62	415.6	378.7	29.2	393.7	359.1	31.4	367.7	335.7	33.4
				57	377.1	377.1	29.0	355.2	355.2	31.1	333.3	333.3	33.2
6ACCS 510 P	6EB 510D P	449.0	14000	72	508.6	262.8	31.9	478.5	247.6	33.9	448.6	232.3	36.0
				67	476.8	334.7	31.7	449.0	315.7	33.6	421.4	296.5	35.9
				62	440.4	401.2	31.2	417.3	380.6	33.3	389.7	355.7	35.6
				57	399.6	399.6	30.9	376.4	376.4	33.2	353.3	353.3	35.3
6ACCS 570 P	6EB 570D P	497.8	15000	72	563.8	294.7	35.3	530.6	275.8	37.4	497.3	258.7	39.8
				67	528.7	439.6	35.0	497.8	354.0	37.2	467.2	332.6	39.6
				62	488.3	444.9	34.4	462.7	422.0	36.9	432.0	394.4	39.3
				57	443.0	443.0	34.2	417.3	417.3	36.6	391.8	391.8	39.0
6ACCS 640 P	6EB 640D P	566.1	16000	72	641.3	329.8	39.9	603.4	310.7	42.3	565.6	291.7	45.0
				67	601.1	418.5	39.6	566.1	394.5	42.0	531.4	370.6	44.7
				62	555.3	506.0	39.0	526.2	479.9	41.7	491.5	448.7	44.5
				57	503.8	503.8	38.8	474.7	474.7	41.4	445.7	445.7	44.1
6ACCS 700 P	6EB 700D P	624.6	17200	72	707.3	365.4	44.2	665.5	344.1	46.9	623.8	324.5	49.8
				67	663.1	465.6	43.9	624.6	439.1	46.5	585.8	412.5	49.6
				62	612.5	558.0	43.2	580.3	529.2	46.3	542.1	494.9	49.2
				57	555.6	555.6	42.9	523.5	523.5	45.9	491.5	491.5	48.9
6ACCS 760 P	6EB 760D P	673.4	18000	72	763.1	394.3	47.7	718.1	371.3	50.7	673.1	350.2	53.9
				67	715.6	502.4	47.4	673.4	473.9	50.4	632.1	445.1	53.7
				62	660.9	602.2	46.6	626.3	571.1	49.9	584.9	534.0	53.3
				57	599.6	599.6	46.3	564.9	564.9	49.5	530.3	530.3	52.9
6ACCS 800 P	6EB 800D P	722.2	19600	72	818.3	422.7	51.0	770.1	398.1	54.1	721.8	375.5	57.5
				67	767.2	538.7	50.7	722.2	508.0	53.7	677.8	477.3	57.2
				62	708.7	645.7	49.7	671.5	612.4	53.3	627.2	572.6	56.8
				57	642.9	642.9	49.4	605.8	605.8	52.9	568.8	568.8	56.4
6ACCS 890 P	6EB 890D P	790.6	21000	72	886.0	461.1	55.5	833.9	434.0	58.9	781.7	407.4	62.6
				67	830.6	566.7	55.2	790.6	558.1	58.5	734.3	524.3	62.3
				62	767.4	699.2	54.3	727.1	663.1	58.1	679.0	619.9	61.9
				57	696.2	696.2	53.8	656.1	656.1	57.6	616.0	616.0	61.4
6ACCS 960 P	6EB 960D P	858.9	23000	72	972.9	506.3	60.5	915.6	476.6	64.2	858.3	447.3	68.2
				67	912.1	622.2	60.1	858.9	612.9	63.8	806.2	575.7	68.0
				62	842.7	767.8	59.2	798.5	728.2	63.3	745.6	680.6	67.5
				57	764.5	764.5	58.7	720.3	720.3	62.8	676.2	676.2	66.9
6ACCS 1020 P	6EB1020D P	907.7	25800	72	1025.6	533.6	64.1	965.2	502.4	68.0	904.8	471.5	72.3
				67	961.5	656.0	63.6	907.7	646.1	67.5	849.9	606.8	72.0
				62	888.3	809.3	62.6	841.7	767.7	67.0	785.9	717.5	71.5
				57	805.8	805.8	62.1	759.3	759.3	66.5	712.9	712.9	71.0
6ACCS 1140 P	6EB1140D P	995.5	26400	72	1127.3	586.6	70.6	1060.8	552.2	74.9	994.4	518.3	79.5
				67	1056.8	720.9	70.0	995.5	710.0	74.4	934.1	667.0	79.2
				62	976.3	889.5	68.9	925.1	843.6	73.8	863.9	788.6	78.6
				57	885.7	885.7	68.3	834.6	834.6	73.2	783.5	783.5	78.0
6ACCS 1340 P	6EB1340D P	1190.7	32000	72	1331.5	692.8	84.0	1253.0	652.3	89.2	1174.6	612.1	94.8
				67	1248.2	851.5	83.4	1190.7	838.8	88.6	1103.3	787.8	94.4
				62	1153.2	1050.6	82.1	1092.6	996.5	87.9	1020.3	931.5	93.7
				57	1046.2	1046.2	81.4	985.8	985.8	87.2	925.5	925.5	93.0
6ACCS 1520 P	6EB1520D P	1327.4	36000	72	1506.0	783.7	94.1	1417.3	737.8	99.8	1328.6	692.4	106.0
				67	1412.0	963.2	93.4	1327.4	948.7	99.2	1248.0	891.2	105.6
				62	1304.4	1188.4	92.0	1235.9	1127.2	98.4	1154.1	1053.6	104.8
				57	1183.4	1183.4	91.2	1115.1	1115.1	97.6	1046.9	1046.9	104.0

NOTES : 1.) RATINGS ARE GROSS CAPACITIES - FOR NET CAPACITIES, DEDUCT EVAPORATOR BLOWER MOTOR HEAT.  
 2.) AT 80 °F ( 26.6°C ) AIR ON EVAPORATOR.  
 3.) COMPRESSOR KW INPUT

# BLOWER PERFORMANCE

**Available External Static Pressure - IWG - For Accessories And Duct System Static Resistance  
(Allowance Made For Wet Coil And Filters)**

RPM	CFM										FAN MODEL
	SP	BHP	SP	BHP	SP	BHP	SP	BHP	SP	BHP	
<b>6VEB/6HEB108D</b>											
	2170		2600		3200		3800		4330		<b>12 X 12 (INCHES)</b>
800	0.625	0.586	0.595	0.747	0.488	1.017	0.299	1.336	0.046	1.654	
900	0.860	0.719	0.846	0.9	0.778	1.207	0.633	1.568	0.430	1.936	
1000	1.114	0.872	1.121	1.079	1.080	1.419	1.022	1.827	0.818	2.238	
1100	1.392	1.048	1.401	1.272	1.393	1.654	1.329	2.105	1.208	2.562	
<b>6VEB/6HEB125D</b>											
	2170		2800		3500		3900		4330		<b>12 X 12 (INCHES)</b>
800	0.595	0.586	0.526	0.832	0.344	1.170	0.179	1.392	-	-	
900	0.830	0.719	0.787	0.996	0.657	1.381	0.529	1.637	0.340	1.936	
1000	1.084	0.872	1.069	1.186	0.980	1.615	0.877	1.898	0.728	2.238	
1100	1.362	1.048	1.362	1.393	1.310	1.871	1.239	2.189	1.118	2.562	
<b>6VEB/6HEB145D</b>											
	2170		3100		4000		4100		4330		<b>12 X 12 (INCHES)</b>
800	0.575	0.586	0.429	0.969	0.070	1.451	0.019	1.512	-	-	
900	0.810	0.719	0.708	1.15	0.427	1.703	0.382	1.771	0.280	1.936	
1000	1.064	0.872	1.009	1.359	0.787	1.976	0.749	2.051	0.668	2.238	
1100	1.342	1.048	1.312	1.584	1.150	2.270	1.119	2.353	1.058	2.562	
<b>6VEB/6HEB160D</b>											
	2800		3700		4600		5100		5600		<b>15 X 15 (INCHES)</b>
700	0.673	0.776	0.599	1.09	0.446	1.492	0.309	1.752	0.193	2.041	
800	0.967	1.000	0.925	1.368	0.820	1.830	0.718	2.129	0.580	2.453	
900	1.293	1.265	1.279	1.698	1.206	2.213	1.135	2.553	1.025	2.914	
1000	1.652	1.570	1.649	2.06	1.614	2.650	1.559	3.023	1.482	3.430	
<b>6VEB/6HEB190D</b>											
	2800		3800		4800		5200		5600		<b>15 X 15 (INCHES)</b>
700	0.633	0.776	0.535	1.136	0.303	1.593	0.175	1.81	0.073	2.041	
800	0.927	1.000	0.858	1.414	0.690	1.945	0.585	2.189	0.460	2.453	
900	1.253	1.265	1.216	1.748	1.087	2.343	1.009	2.623	0.850	2.914	
1000	1.612	1.570	1.589	2.121	1.502	2.794	1.439	3.1	1.362	3.430	
<b>6VEB/6HEB220D</b>											
	3960		4700		5400		6700		7930		<b>15 X 15 (INCHES)</b>
800	1.034	1.492	0.961	1.881	0.850	2.319	0.459	2.279	-	-	
900	1.393	1.832	1.359	2.279	1.282	2.763	0.969	3.849	0.492	5.108	
1000	1.773	2.218	1.769	2.723	1.729	3.264	1.494	4.464	1.090	5.855	
1100	2.185	2.658	2.201	3.219	2.494	3.825	2.031	5.144	1.700	6.662	
<b>6VEB/6HEB250D</b>											
	3960		5200		6400		7200		7930		<b>15 X 15 (INCHES)</b>
800	1.014	1.492	0.819	2.184	0.527	3.047	0.151	3.731	-	-	
900	1.373	1.832	1.249	2.623	1.020	3.574	0.679	4.328	0.432	5.108	
1000	1.753	2.218	1.685	3.107	1.530	4.167	1.235	4.993	1.030	5.855	
1100	2.165	2.658	2.142	3.653	2.050	4.820	1.809	5.733	1.640	6.662	
<b>6EB290D</b>											
	4960		6200		7500		8700		9900		<b>18 X 13 (INCHES)</b>
750	1.469	2.366	1.349	3.247	1.070	4.311	0.671	5.441	0.137	6.718	
800	1.720	2.634	1.629	3.586	1.390	4.739	1.031	5.96	0.540	7.335	
900	2.257	3.230	2.209	4.319	2.004	5.085	1.761	7.058	1.360	8.650	
1000	2.836	3.904	2.829	5.14	2.730	6.666	2.519	8.27	2.190	10.061	



# BLOWER PERFORMANCE

Available External Static Pressure - IWG - For Accessories And Duct System Static Resistance  
(Allowance Made For Wet Coil And Filters)

RPM	CFM										FAN MODEL
	SP	BHP	SP	BHP	SP	BHP	SP	BHP	SP	BHP	
<b>6EB320D</b>											
	4960		6500		8000		8900		9900		<b>18 x 13 (INCHES)</b>
750	1.449	2.366	1.259	3.467	0.880	4.769	0.549	5.65	0.077	6.718	
800	1.700	2.634	1.551	3.827	1.220	5.238	0.919	6.188	0.480	7.335	
900	2.237	3.230	2.159	4.618	1.900	6.222	1.669	7.331	1.300	8.650	
1000	2.816	3.904	2.781	5.462	2.610	7.306	2.421	8.541	2.130	10.061	
<b>6EB380D</b>											
	6420		7800		9200		11000		12830		<b>18 X 18 (INCHES)</b>
700	1.135	2.728	0.989	3.604	0.746	4.638	0.301	6.195	-	-	
800	1.616	3.404	1.519	4.43	1.330	5.635	0.951	7.435	0.392	9.547	
900	2.136	4.181	2.081	5.354	1.940	6.734	1.629	8.793	1.145	11.208	
1000	2.700	5.073	2.679	6.398	2.586	7.960	2.339	10.277	1.930	13.005	
<b>6EB435D</b>											
	6420		9000		11500		12200		12830		<b>450 X 450 (MM)</b>
700	1.090	2.801	0.871	4.338	0.283	6.297	0.071	6.947	-	-	
800	1.500	3.592	1.401	5.374	0.964	7.625	0.789	8.367	0.580	9.039	
900	1.940	4.528	1.949	6.596	1.644	9.121	1.499	9.926	1.340	10.713	
1000	2.626	5.623	2.501	7.957	2.327	10.809	2.235	11.74	2.100	12.582	
<b>6EB480D</b>											
	8750		10400		12000		14800		17500		<b>500 X 500 (MM)</b>
600	0.895	3.283	0.739	4.18	0.500	5.184	-	-	-	-	
700	1.390	4.292	1.299	5.358	1.120	6.520	0.619	8.991	-	-	
800	1.926	5.509	1.879	6.732	1.760	8.072	1.379	10.91	0.745	14.157	
900	2.500	6.928	2.491	8.322	2.736	9.863	2.151	13.055	1.627	16.709	
<b>6EB510D</b>											
	8750		11400		14000		15800		17500		<b>500 X 500 (MM)</b>
600	0.895	3.283	0.601	4.776	0.083	6.644	-	-	-	-	
700	1.390	4.292	1.209	6.078	0.786	8.230	0.369	9.997	-	-	
800	1.926	5.509	1.819	7.546	1.510	10.033	1.159	12.032	0.745	14.157	
900	2.500	6.928	2.461	9.25	2.248	12.070	1.971	14.313	1.627	16.709	
<b>6EB570D</b>											
	8750		11900		15000		16200		17500		<b>500 X 500 (MM)</b>
600	0.895	3.283	0.529	5.13	-	-	-	-	-	-	
700	1.390	4.292	1.139	6.443	0.570	9.181	0.261	10.387	-	-	
800	1.926	5.509	1.771	7.968	1.330	11.105	1.079	12.521	0.745	14.157	
900	2.500	6.928	2.441	9.766	2.113	13.290	1.919	14.901	1.627	16.709	
<b>6EB640D</b>											
	10210		13100		16000		18200		20410		<b>560 X 560 (MM)</b>
600	1.226	4.561	1.061	6.207	0.720	8.234	0.319	10.003	-	-	
650	1.500	5.301	1.379	7.104	1.090	9.300	0.749	11.288	0.290	13.450	
700	1.790	6.134	1.701	8.064	1.470	10.468	1.169	12.612	0.750	14.959	
750	2.090	7.043	2.039	9.146	1.860	11.744	1.589	14.012	1.220	16.567	
<b>6EB700D</b>											
	10210		13700		17200		18800		20410		<b>560 X 560 (MM)</b>
650	1.500	5.301	1.341	7.523	0.914	10.330	0.631	11.803	0.300	13.450	
700	1.790	6.134	1.679	8.549	1.320	11.592	1.069	13.197	0.760	14.959	
750	2.090	7.043	2.019	9.64	1.730	12.946	1.519	14.706	1.230	16.567	
800	2.410	8.063	2.371	10.827	2.140	14.380	1.959	16.265	1.700	18.256	

# BLOWER PERFORMANCE

**Available External Static Pressure - IWG - For Accessories And Duct System Static Resistance (Allowance Made For Wet Coil And Filters)**

RPM	CFM										FAN MODEL
	SP	BHP	SP	BHP	SP	BHP	SP	BHP	SP	BHP	
<b>6EB760D</b>											
	<b>10210</b>		<b>14100</b>		<b>18000</b>		<b>19200</b>		<b>20410</b>		<b>560 X 560 (MM)</b>
<b>650</b>	1.450	5.301	1.209	7.804	0.650	11.055	0.411	12.214	0.140	13.450	
<b>700</b>	1.740	6.134	1.56	8.863	1.070	12.372	0.859	13.654	0.600	14.959	
<b>750</b>	2.040	7.043	1.909	9.991	1.495	13.785	1.299	15.136	1.070	16.567	
<b>800</b>	2.360	8.063	2.269	11.218	1.920	15.280	1.741	16.698	1.540	18.256	
<b>6EB800D</b>											
	<b>14630</b>		<b>17100</b>		<b>19600</b>		<b>24400</b>		<b>29250</b>		<b>630 X 630 (MM)</b>
<b>600</b>	1.760	8.606	1.721	10.443	1.620	12.567	1.229	17.416	0.500	23.208	
<b>650</b>	2.110	9.970	2.099	12.008	2.030	14.323	1.701	19.517	1.090	25.910	
<b>700</b>	2.480	11.481	2.499	13.743	2.450	16.226	2.199	21.899	1.680	28.798	
<b>750</b>	2.870	13.143	2.891	15.512	2.880	18.272	2.699	24.425	2.260	31.820	
<b>6EB890D</b>											
	<b>14630</b>		<b>17800</b>		<b>21000</b>		<b>25100</b>		<b>29250</b>		<b>630 X 630 (MM)</b>
<b>600</b>	1.740	8.606	1.679	11.062	1.500	13.889	1.089	18.157	0.430	23.208	
<b>650</b>	2.090	9.970	2.051	12.606	1.930	15.762	1.599	20.447	1.020	25.910	
<b>700</b>	2.460	11.481	2.449	14.363	2.364	17.766	2.109	22.894	1.610	28.798	
<b>750</b>	2.850	13.143	2.869	16.296	2.810	19.934	2.611	25.436	2.190	31.820	
<b>6EB960D</b>											
	<b>16250</b>		<b>19600</b>		<b>23000</b>		<b>27800</b>		<b>32500</b>		<b>630 X 630 (MM)</b>
<b>600</b>	1.760	9.813	1.649	12.627	1.400	15.886	0.809	21.461	-	-	
<b>650</b>	2.130	11.313	2.059	14.392	1.870	17.970	1.349	23.922	0.540	30.839	
<b>700</b>	2.510	12.932	2.469	16.253	2.330	20.141	1.901	26.598	1.190	34.071	
<b>750</b>	2.910	14.713	2.909	18.35	2.810	22.534	2.459	29.494	-	-	
<b>6EB1020D</b>											
	<b>16250</b>		<b>21000</b>		<b>25800</b>		<b>29200</b>		<b>32500</b>		<b>710 X 710 (MM)</b>
<b>550</b>	1.820	9.882	1.719	13.154	1.470	17.185	1.189	20.508	0.840	24.170	
<b>600</b>	2.220	11.764	2.159	15.4	1.960	19.823	1.739	23.566	1.410	27.448	
<b>650</b>	2.650	13.899	2.621	17.889	2.470	22.745	2.279	26.761	2.000	31.036	
<b>700</b>	3.110	16.297	3.099	20.625	3.000	25.954	2.849	30.333	2.600	34.894	
<b>6EB1140D</b>											
	<b>16250</b>		<b>21300</b>		<b>26400</b>		<b>29400</b>		<b>32500</b>		<b>710 X 710 (MM)</b>
<b>500</b>	1.440	8.199	1.209	11.381	0.830	15.285	0.521	18.008	0.150	21.214	
<b>550</b>	1.770	9.882	1.619	13.347	1.320	17.765	1.039	20.729	0.690	24.170	
<b>600</b>	2.170	11.764	2.069	15.652	1.810	20.418	1.569	23.679	1.260	27.448	
<b>650</b>	2.600	13.899	2.539	18.208	2.330	23.414	2.129	26.993	1.850	31.036	
<b>6EB1340D</b>											
	<b>23480</b>		<b>27700</b>		<b>32000</b>		<b>39500</b>		<b>46950</b>		<b>800 X 800 (MM)</b>
<b>450</b>	1.590	12.538	1.489	15.548	1.310	19.091	0.859	26.585	0.200	35.670	
<b>500</b>	2.060	15.156	1.989	18.526	1.850	22.515	1.451	30.719	0.870	40.839	
<b>550</b>	2.560	18.120	2.519	21.873	2.410	26.270	2.089	35.437	-	-	
<b>600</b>	3.100	21.511	3.081	25.608	3.010	30.510	2.751	40.549	-	-	
<b>6EB1520D</b>											
	<b>23480</b>		<b>29700</b>		<b>36000</b>		<b>41500</b>		<b>46950</b>		<b>800 X 800 (MM)</b>
<b>450</b>	1.570	12.610	1.379	15.493	1.060	22.967	0.659	28.97	0.140	35.742	
<b>500</b>	2.040	15.236	1.891	20.335	1.630	22.912	1.261	33.292	0.810	40.919	
<b>550</b>	2.540	18.207	2.459	24.049	2.230	31.040	1.901	38.128	-	-	
<b>600</b>	3.080	21.607	3.011	27.828	3.320	35.655	2.589	43.599	-	-	

# DIMENSIONAL DATA

## Air Cooled Condensing Units

**6ACCS 68, 81, 95**

MODEL	A	B	C	D	E	SUCTION SIZE (QTY)	LIQUID SIZE (QTY)
6ACCS 68	46 1/2	42 11/16	14 3/8	29 7/16	15 3/4	7/8 (1)	3/8 (1)
6ACCS 81	48 1/2	44 3/8	19 5/16	31 1/8	20 7/8	7/8 (1)	1/2 (1)
6ACCS 95	48 1/2	44 3/8	19 5/16	31 1/8	20 7/8	1 1/8 (1)	1/2 (1)

**6ACCS 108, 125, 145**

MODEL	SUCTION SIZE (QTY)	LIQUID SIZE (QTY)
6ACCS 108	1 1/8 (1)	1/2 (1)
6ACCS 125	1 3/8 (1)	1/2 (1)
6ACCS 145	1 3/8 (1)	5/8 (1)

**6ACCS 160, 190, 220, 250, 290**

MODEL	A	SUCTION SIZE (QTY)	LIQUID SIZE (QTY)
6ACCS 160	40 1/4	1 3/8 (1)	5/8 (1)
6ACCS 190	40 1/4	1 5/8 (1)	5/8 (1)
6ACCS 220	48 1/4	1 1/8 (2)	1/2 (2)
6ACCS 250	48 1/4	1 3/8 (2)	1/2 (2)
6ACCS 290	48 1/4	1 3/8 (2)	5/8 (2)

NOTE: 6ACCS 160 AND 190 ARE SINGLE COMPRESSOR UNIT.

NOTE : ALL DIMENSIONS ARE IN INCHES.

# DIMENSIONAL DATA

## Air Cooled Condensing Units

**6ACCS 320, 380, 435**

MODEL	A	SUCTION SIZE (QTY)	LIQUID SIZE (QTY)
6ACCS 320	48	1 3/8 (2)	5/8 (2)
6ACCS 380	56	1 5/8 (2)	5/8 (2)
6ACCS 435	56	1 3/8 (3)	5/8 (3)

**6ACCS 480, 510, 570**

MODEL	SUCTION SIZE (QTY)	LIQUID SIZE (QTY)
6ACCS 480	1 3/8 (3)	5/8 (3)
6ACCS 510	1 5/8 (1), 1 3/8 (2)	5/8 (3)
6ACCS 570	1 5/8 (3)	5/8 (3)

**6ACCS 640, 700, 760**

MODEL	SUCTION SIZE (QTY)	LIQUID SIZE (QTY)
6ACCS 640	1 5/8 (2)	7/8 (2)
6ACCS 700	1 5/8 (1), 2 1/8 (1)	7/8 (2)
6ACCS 760	2 1/8 (2)	7/8 (2)

NOTE : ALL DIMENSIONS ARE IN INCHES.

# DIMENSIONAL DATA

## Air Cooled Condensing Units

**6ACCS 800, 890, 960**

MODEL	SUCTION SIZE (QTY)	LIQUID SIZE (QTY)
6ACCS 800	1 5/8 (2), 1 3/8 (1)	7/8 (2), 5/8 (1)
6ACCS 890	1 5/8 (2), 2 1/8 (1)	7/8 (2), 5/8 (1)
6ACCS 960	1 5/8 (3)	7/8 (3)

**6ACCS 1020, 1140, 1340, 1520**

MODEL	A	SUCTION SIZE (QTY)	LIQUID SIZE (QTY)
6ACCS 1020	143	1 5/8 (2) 2 1/8 (1)	7/8 (3)
6ACCS 1140	143	2 1/8 (3)	7/8 (3)
6ACCS 1340	150	1 5/8 (3) 2 1/8 (1)	7/8 (4)
6ACCS 1520	150	2 1/8 (4)	7/8 (4)

NOTE: ALL DIMENSIONS ARE IN INCHES.

# DIMENSIONAL DATA

## Evaporator Units

### 6HEB 68D, 81D, 95D

MODEL	A	B	C	D	E	F
6HEB 68D	20	46	24	13	11 3/8	16 1/2
6HEB 81D	20	46	24	13	11 3/8	16 1/2
6HEB 95D	23	46	30	15 1/2	13 1/2	15 1/4

### 6HEB 108D, 125D, 145D, 160D, 190D, 220D

MODEL	A	B	C	D	E	F
6HEB 108D	27	50	33	16	13 1/2	21 1/4
6HEB 125D	27	50	33	16	13 1/2	21 1/4
6HEB 145D	27	50	33	16	13 1/2	24 1/4
6HEB 160D	29	58	40	18 1/2	16	24 3/8
6HEB 190D	29	58	40	18 1/2	16	24 3/8
6HEB 220D	29	78	40	18 1/2	16	30

Note: 6HEB 220D comes with double circuitry.

### 6EB 250D, 290D, 320D, 380D, 435D

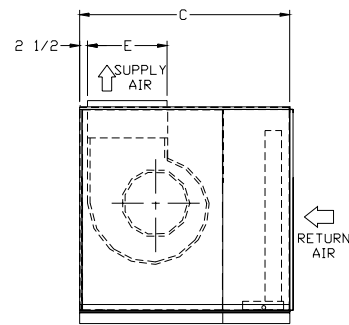
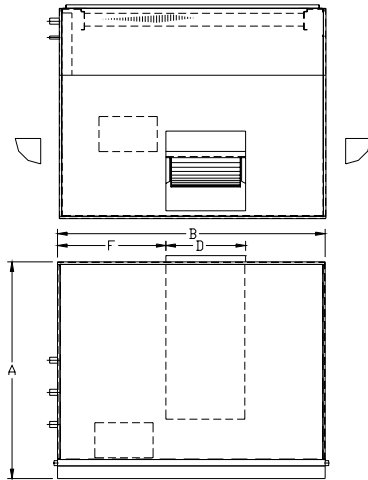
MODEL	A	B	C	D	E	F
6EB 250D	29	78	40	18 1/2	16	30
6EB 290D	38	84	45	17	19	33 1/2
6EB 320D	38	84	45	17	19	33 1/2
6EB 380D	48	84	45	22	19	37
6EB 435D	48	84	45	22 1/2	22 1/2	37

NOTES : 1.) ALL DIMENSIONS ARE IN INCHES.  
 2.) UNITS SHOWN ARE RIGHT HAND PIPING CONNECTION.

# DIMENSIONAL DATA

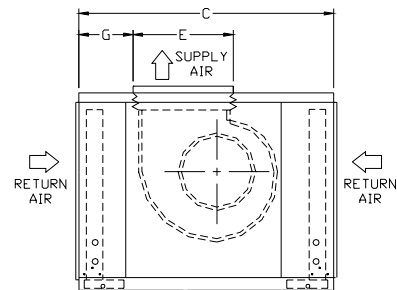
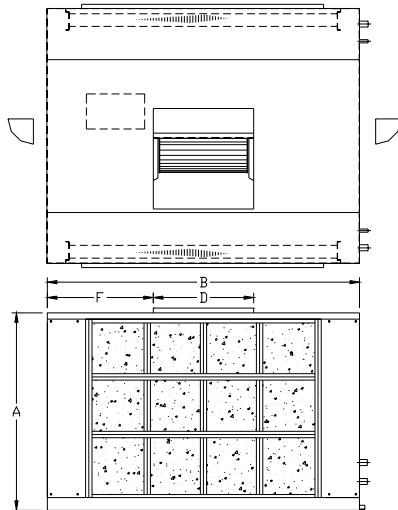
## 6EB 480D, 510D, 570D, 640D, 700D, 760D

MODEL	A	B	C	D	E	F
6EB 480D	68	84	66	25	25	34
6EB 510D	68	84	66	25	25	34
6EB 570D	68	84	66	25	25	34
6EB 640D	78	84	66	28	28	34
6EB 700D	78	84	66	28	28	34
6EB 760D	78	84	66	28	28	34



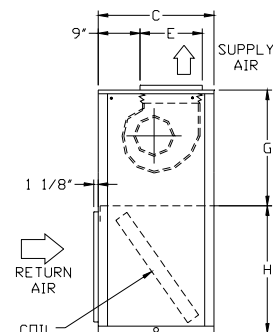
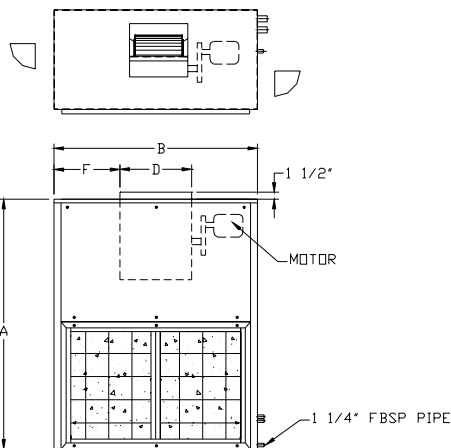
## 6EB 800D, 890D, 960D, 1020D, 1140D, 1340D, 1520D

MODEL	A	B	C	D	E	F	G
6EB 800D	62	98	80	31 1/2	31 1/2	39	17
6EB 890D	62	98	80	31 1/2	31 1/2	39	17
6EB 960D	62	98	80	31 1/2	31 1/2	39	17
6EB 1020D	62	98	80	35 1/2	35 1/2	39	14
6EB 1140D	62	98	80	35 1/2	35 1/2	39	14
6EB 1340D	70	118	86	40	40	39	14
6EB 1520D	70	118	86	40	40	39	14



## 6VEB 108D, 125D, 145D, 160D, 190D, 220D, 250D

Model	A	B	C	D	E	F	G	H
6VEB 108D	51 1/2	52	25	15 1/2	13 1/2	17 1/4	25 3/4	25 3/4
6VEB 125D	51 1/2	52	25	15 1/2	13 1/2	17 1/4	25 3/4	25 3/4
6VEB 145D	51 1/2	52	25	15 1/2	13 1/2	17 1/4	25 3/4	25 3/4
6VEB 160D	57 1/2	58 1/2	28	18 5/8	16	15	28 3/4	28 3/4
6VEB 190D	57 1/2	58 1/2	28	18 5/8	16	15	28 3/4	28 3/4
6VEB 220D	57 1/2	81 1/2	28	15 1/2	16	26	28 3/4	28 3/4
6VEB 250D	57 1/2	81 1/2	28	18 1/2	16	24 3/4	28 3/4	28 3/4



NOTES : 1.) ALL DIMENSIONS ARE IN INCHES.  
2.) UNITS SHOWN ARE RIGHT HAND PIPING CONNECTION.

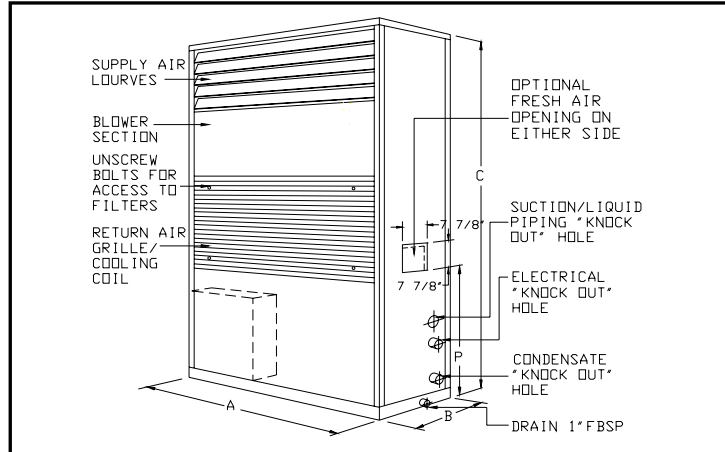
# DIMENSIONAL DATA

## Free Blow Type Evaporator Blower Unit

6VEB 68D-FB, 81D-FB, 95D-FB, 108D-FB, 125D-FB, 145D-FB, 160D-FB, 190D-FB, 220D-FB

For Access To Internal Components				
1.) Unscrew bolts at return air grille, remove grille and access to filters and coil.				
2.) Unscrew bolts for blower section panel push panel up and remove panel for access to blower and drive assembly.				
3.) Unscrew bolts for bottom panel, push panel up and access to compressor(s), condenser(s) and controls.				

Model	A	B	°C	P
6VEB 68D-FB	48	22	79	29
6VEB 81D-FB	48	22	79	29
6VEB 95D-FB	48	22	79	29
6VEB 108D-FB	56	24	81	29
6VEB 125D-FB	61	24	81	29
6VEB 145D-FB	61	24	81	29
6VEB 160D-FB	61	30	86	29
6VEB 190D-FB	72	30	86	33
6VEB 220D-FB	72	30	86	33



- Add 10" to the units height if autotransformer are required.

# PHYSICAL DATA

## Air Cooled Condensing Units

MODEL	COMPRESSOR				CONDENSER COIL		CONDENSER FAN				MAX. R-22 CHARGE	APPROX. OPERATING WEIGHT (LBS)
	POWER SUPPLY	QTY	LRA EA.	NRA EA.	FACE AREA SQ. FT	ROWS/ FPI	QTY.	MTR. HP EA.	MTR. FLA EA.	BLADE DIA. (INCH)	QTY. x LBS PER COMP.	
6ACCS 68	460-3-60Hz	1	1x56.0	1x8.2	10.5	2/14	2	5/8	1.6	18.0	1X10	390
6ACCS 81	460-3-60Hz	1	1x45.0	1x9.7	12.0	2/14	2	5/8	1.6	18.0	1X10	396
6ACCS 95	460-3-60Hz	1	1x101.0	1x11.0	12.0	2/16	2	5/8	1.6	18.0	1X16	400
6ACCS 108	460-3-60Hz	1	1x95.0	1x12.8	15.3	2/14	1	5/8	1.6	26.0	1X16	450
6ACCS 125	460-3-60Hz	1	1x114.0	1x14.1	15.3	2/16	1	5/8	1.6	26.0	1X16	480
6ACCS 145	460-3-60Hz	1	1x125.0	1x16.3	15.3	3/14	1	5/8	1.6	26.0	1X16	500
6ACCS 160	460-3-60Hz	1	1x125.0	1x18.2	17.2	2/16	2	5/8	1.6	26.0	1X23.8	780
6ACCS 190	460-3-60Hz	1	1x150.0	1x20.8	17.2	3/12	2	5/8	1.6	26.0	1x25.3	840
6ACCS 220	460-3-60Hz	1	1x179.0	1x26.5	20.7	3/12	2	5/8	1.6	26.0	2x16.0	900
6ACCS 250	460-3-60Hz	2	2x114.0	2x14.1	20.7	3/16	2	5/8	1.6	26.0	2x17.6	930
6ACCS 290	460-3-60Hz	2	2x125.0	2x16.3	20.7	4/14	2	5/8	1.6	26.0	2x16.0	990
6ACCS 320	460-3-60Hz	2	2x125.0	2x18.2	32.0	3/16	3	5/8	1.6	26.0	2x23.8	1450
6ACCS 380	460-3-60Hz	2	2x150.0	2x20.8	37.3	3/16	3	5/8	1.6	26.0	2x25.3	1600
6ACCS 435	460-3-60Hz	2	2x179.0	2x26.5	37.3	4/16	3	5/8	1.6	26.0	3x16.0	1800
6ACCS 480	460-3-60Hz	3	3x125.0	3x18.2	48.8	3/14	4	5/8	1.6	26.0	3x22	2493
6ACCS 510	460-3-60Hz	3	3x150.0	3x20.8	48.8	3/16	4	5/8	1.6	26.0	3X22	2587
6ACCS 570	460-3-60Hz	3	2x150.0 1x179.0	2x20.8 1x26.5	48.8	4/14	4	5/8	1.6	26.0	3x22	2680
6ACCS 640	460-3-60Hz	3	3x179.0	3x26.5	66.0	4/16	3	1 1/2	2.5	31.5	4x22	3333
6ACCS 700	460-3-60Hz	4	4x150.0	4x20.8	68.0	4/16	3	1 1/2	2.5	31.5	4X22	3373
6ACCS 760	460-3-60Hz	4	2x150.0 2x179.0	2x20.8 2x26.5	72.0	4/16	3	1 1/2	2.5	31.5	4x22	3456
6ACCS 800	460-3-60Hz	4	4x179.0	4x26.5	94.0	3/16	4	1 1/2	2.5	31.5	5x22	4671
6ACCS 890	460-3-60Hz	5	5x150.0	5x20.8	94.0	4/14	4	1 1/2	2.5	31.5	2x23.8 3x25.3	4700
6ACCS 960	460-3-60Hz	6	6x125.0	6x18.2	94.0	4/16	4	1 1/2	2.5	31.5	6x22	4843
6ACCS 1020	460-3-60Hz	6	6x150.0	6x20.8	123.0	3/16	6	1 1/2	2.5	31.5	6X22	5900
6ACCS 1140	460-3-60Hz	6	4x150.0 2x179.0	4x20.8 2x26.5	123.0	4/14	6	1 1/2	2.5	31.5	6x22	6028
6ACCS 1340	460-3-60Hz	6	6x179.0	6x26.5	129.0	4/16	6	1 1/2	2.5	31.5	8x22	6700
6ACCS 1520	460-3-60Hz	7	6x150.0 2x179.0	6x20.8 2x26.5	129.0	4/16	6	1 1/2	2.5	31.5	8x22	6819

Notes: 1.) Minimum - maximum voltage is 440V - 485V.  
2.) LRA - Locked rotor amp.

3.) NRA - Nominal running amp.  
4.) FLA - Full load amp.



# PHYSICAL DATA

## Evaporator Blower Units

MODEL	BLOWER SECTION						EVAPORATOR COIL		FILTERS		APPROX. OPERATING WEIGHT LBS	SUCTION CONNECTION		LIQUID CONNECTION	
	BLOWER		MTR.			FAN CFM						QTY.	SIZE (INCH.)	QTY.	SIZE
	QTY.	DIA. x WIDTH	MAX HP	FLA EACH	LRA EACH	MIN-MAX CFM	ROWS DEEP	FACE AREA (SQ.FT)	QTY.	SIZE (INCH.)		QTY.	SIZE	QTY.	SIZE
6HEB 68D	1	10x10 (inch.)	0.75	5.6	-	1350 - 2700	3	4.5	2	16x20x1	260	1	7/8	1	3/8
6HEB 81D	1	10x10 (inch.)	1.0	6.5	-	1350 - 2700	3	4.5	2	16x20x1	275	1	7/8	1	1/2
6HEB 95D	1	12x12 (inch.)	1.0	6.0	-	1500 - 3000	3	5.0	2	20x20x1	340	1	1 1/8	1	1/2
6VEB/ 6HEB 108D	1	12x12 (inch.)	4.0	6.4	43.9	2170 - 4330	3	7.2	1 1	20x25x1 25x25x1	360	1	1 1/8	1	1/2
6VEB/ 6HEB 125D	1	12x12 (inch.)	4.0	6.4	43.9	2170 - 4330	3	7.2	1 1	20x25x1 25x25x1	380	1	1 3/8	1	1/2
6VEB/ 6HEB 145D	1	12x12 (inch.)	4.0	6.4	43.9	2170 - 4330	4	7.2	1 1	20x25x1 25x25x1	400	1	1 3/8	1	5/8
6VEB/ 6HEB 160D	1	15x15 (inch.)	5.5	8.3	59.4	2800 - 5600	3	9.3	2	25x25x1	470	1	1 3/8	1	5/8
6VEB/ 6HEB 190D	1	15x15 (inch.)	5.5	8.3	59.4	2800 - 5600	3	9.3	2	25x25x1	500	1	1 5/8	1	5/8
6VEB/ 6HEB 220D	1	15x15 (inch.)	10.0	14.9	109	3960 - 7930	3	13.0	1 2	20x25x1 25x25x1	500	2	1 1/8	2	1/2
6VEB/EB 250D	1	15x15 (inch.)	10.0	14.9	109	3900 - 7790	3	13.0	1 2	20x25x1 25x25x1	680	2	1 3/8	2	1/2
6EB 290D	1	18x13 (inch.)	15.0	21.5	153	4958 - 9917	3	17.5	3 3	16x25x1 20x25x1	900	2	1 3/8	2	5/8
6EB 320D	1	18x13 (inch.)	15.0	21.5	153	4958 - 9917	4	17.5	3 3	16x25x1 20x25x1	920	2	1 3/8	2	5/8
6EB 380D	1	18x18 (inch.)	15.0	21.5	153	6417 - 12833	3	22.5	3 3	20x25x1 25x25x1	1100	2	1 5/8	2	5/8
6EB 435D	1	450x450 (mm.)	15.0	21.5	153	6417 - 12833	3	22.5	3 3	20x25x1 25x25x1	1150	3	1 3/8	3	5/8
6EB 480D	1	500x500 (mm.)	20.0	29.2	210	8750 - 17500	3	30.0	9	20x25x1	1450	3	1 3/8	3	5/8
6EB 510D	1	500x500 (mm.)	20.0	29.2	210	8750 - 17500	3	30.0	9	20x25x1	1520	2 1	1 3/8 1 5/8	3	5/8
6EB 570D	1	500x500 (mm.)	20.0	29.2	210	8750 - 17500	3	30.0	9	20x25x1	1600	3	1 5/8	3	5/8
6EB 640D	1	560x560 (mm.)	30.0	41.2	289	10208 - 20410	3	35.0	3 6	20x25x1 25x25x1	1820	2	1 5/8	2	7/8
6EB 700D	1	560x560 (mm.)	30.0	41.2	289	10208 - 20410	4	35.0	3 6	20x25x1 25x25x1	1860	1 1	1 5/8 2 1/8	2	7/8
6EB 760D	1	560x560 (mm.)	30.0	41.2	289	10208 - 20410	4	35.0	3 6	20x25x1 25x25x1	1900	2	2 1/8	2	7/8
6EB 800D	1	630x630 (mm.)	40.0	55.6	395	14625 - 29250	3	48.8	4 4 4 4	16x20x1 16x25x1 20x25x1 25x25x1	2100	2 1	1 5/8 1 3/8	2 1	7/8 5/8
6EB 890D	1	630x630 (mm.)	40.0	55.6	395	14625 - 29250	3	48.8	8 8	16x25x1 25x25x1	2180	2 1	1 5/8 2 1/8	2 1	7/8 5/8
6EB 960D	1	630x630 (mm.)	40.0	55.6	395	16250 - 32500	3	54.2	8 8	16x25x1 25x25x1	2250	3	1 5/8	3	7/8
6EB 1020D	1	710x710 (mm.)	40.0	55.6	395	16250 - 32500	3	54.2	8 8	16x25x1 25x25x1	2340	2 1	1 5/8 2 1/8	3	7/8
6EB 1140D	1	710x710 (mm.)	40.0	55.6	395	16250 - 32500	4	54.2	8 8	16x25x1 25x25x1	2400	3	2 1/8	3	7/8
6EB 1340D	1	800x800 (mm.)	50.0	67.4	489	23480 - 46950	3	78.3	24	20x25x1	3500	3 1	1 5/8 2 1/8	4	7/8
6EB 1520D	1	800x800 (mm.)	50.0	67.4	489	23480 - 46950	4	78.3	24	20x25x1	3750	4	2 1/8	4	7/8

Note: Power supply for 6HEB 68D to 95D is 230-1-60Hz.

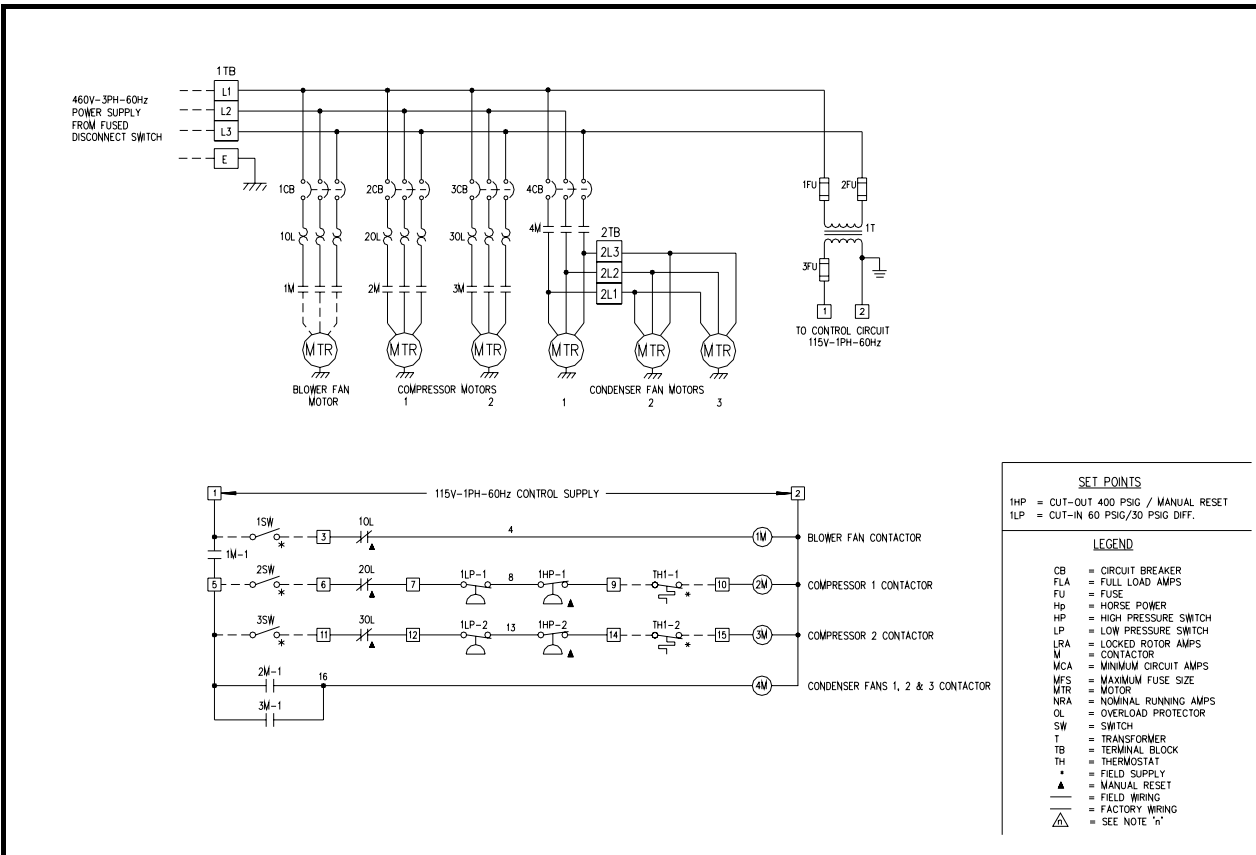
# PHYSICAL DATA

## Evaporator Free Blower Units

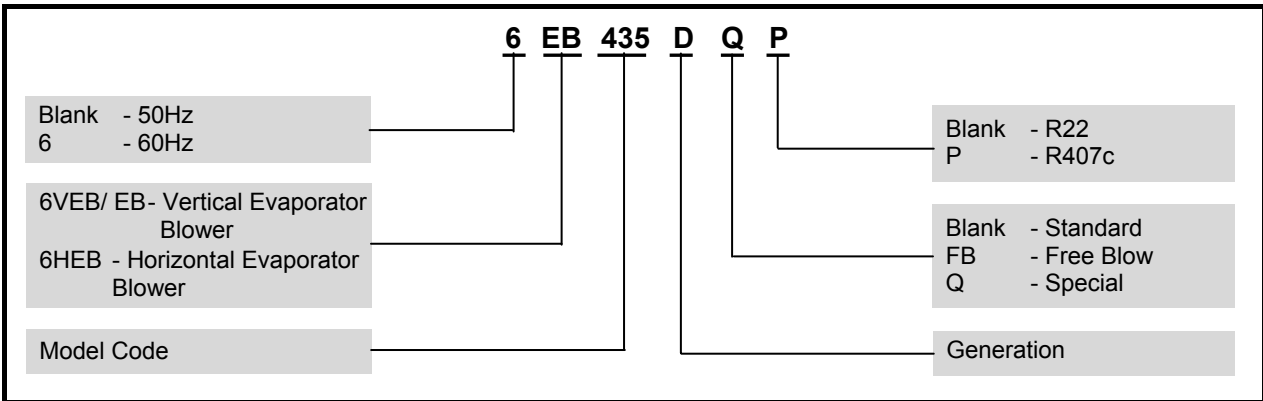
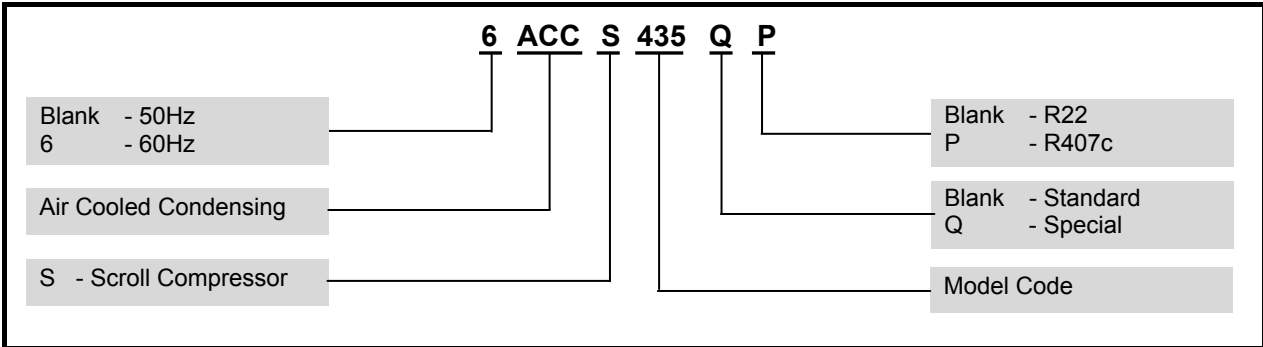
MODEL	BLOWER SECTION				EVAPORATOR COIL		FILTERS		SUCTION CONNECTION		LIQUID CONNECTION	
	BLOWER		MTR.	FAN CFM								
	QTY.	DIA. X WIDTH (INCH)	HP	CFM	ROWS DEEP	NOM FACE AREA (SQ.FT)	QTY.	SIZE (INCH.)	QTY	SIZE	QTY	SIZE
6VEB 68D-FB	1	10-9	1/2	2000	3	5.4	2	20 7/8 x 18 1/8 x 1/2	1	7/8	1	3/8
6VEB 81D-FB	2	9-7	1/3	2400	3	7.0	2	20 7/8 x 18 1/8 x 1/2	1	7/8	1	1/2
6VEB 95D-FB	2	9-7	1/3	2600	4	7.0	2	20 7/8 x 18 1/8 x 1/2	1	1 1/8	1	1/2
6VEB 108D-FB	2	10-8	1 1/2	3200	4	7.0	2	20 7/8 x 18 1/8 x 1/2	1	1 1/8	1	1/2
6VEB 125D-FB	2	10-10	1 1/2	3500	3	9.9	2	27 3/4 x 18 1/8 x 1/2	1	1 3/8	1	1/2
6VEB 145D-FB	2	10-10	1 1/2	4000	3	9.9	2	27 3/4 x 18 1/8 x 1/2	1	1 3/8	1	5/8
6VEB 160D-FB	2	10-10	2	4600	4	9.9	2	27 3/4 x 18 1/8 x 1/2	1	1 3/8	1	5/8
6VEB 190D-FB	2	12-12	2	4800	3	13.1	2	32 5/8 x 18 1/8 x 1/2	1	1 5/8	1	5/8
6VEB 220D-FB	2	12-12	2	5400	4	13.1	2	32 5/8 x 18 1/8 x 1/2	2	1 1/8	2	1/2

Note: Power supply for 6VEB 68D-FB to 95D-FB is 230-1-60Hz.

# TYPICAL WIRING SCHEMATIC



# NOMENCLATURE



# LIMITS AND CORRECTION FACTORS

## LIMITATION (AIR TEMPERATURE °F)

		DB	WB
INDOOR	MAX.	85	72
	MIN.	66	57
OUTDOOR	MAX.	115	-
	MIN.	66	-

## CORRECTION FACTORS

To correct for variation in air flow, use this multiplier.

AIR FLOW VARIATION	TOTAL CAPACITY	SENSIBLE CAPACITY
0.8	0.960	0.900
0.9	0.980	0.950
1.0	1.000	1.000
1.1	1.015	1.045
1.2	1.025	1.090

To correct for altitude, use this multiplier.

ALTITUDE ABOVE SEA LEVEL - FT	COOLING CAPACITY
0	1.00
2000	0.98
3000	0.97
4000	0.96
5000	0.95
6000	0.93
7000	0.92

To correct sensible capacity for varying dry bulb.

DRY BULB	WET BULB			
	57	62	67	72
75	0.84	0.81	0.78	0.74
80	1.00	1.00	1.00	1.00
85	1.16	1.18	1.21	1.26

NOTE: IF THE CAPACITY AFTER MULTIPLYING THE SENSIBLE WITH THE CORRECTION FACTOR EXCEED THE TOTAL CAPACITY, THEN THE SENSIBLE MUST BE EQUAL TO THE TOTAL.



## **Americas**

### **United States of America**

175 South Street,  
West Hartford,  
CT 06110, USA

Tel: 1-860-249 8671  
Fax: 1-860-953 3300

## **Europe**

### **United Kingdom**

8 Downley Road,  
Havant, Hampshire,  
England PO9 2JD

Tel: 44-23-9247 7700  
Fax: 44-23-9245 0396

## **Africa**

### **South Africa**

No. 57 Sovereign Drive  
Route 21 Corporate Park  
Irene, Pretoria  
South Africa

Tel: 27-12-345 4202  
Fax: 27-12-345 4203

## **China**

No. 1 Dunham-Bush Road,  
Laishan District,  
Yantai,  
Shandong Province,  
China 264003

Tel: 86-535-658 8999  
Fax: 86-535-658 1999

## **Asia**

### **Singapore**

2, Kallang Pudding Road #07-07,  
Mactech Industrial Building,  
Singapore 349307

Tel: 65-6842 2012  
Fax: 65-6842 2013

## **Middle East & North Africa**

### **United Arab Emirates**

Al Murad Tower, Office 506  
Al-Barsha 1,  
P. O. Box # 30922,  
Dubai, UAE

Tel: 971-4-451 9899  
Fax: 971-4-451 9881

## **Russia & CIS**

### **Russia**

Lot 11, Novinskiy Boulevard,  
Moscow,  
121099 Russian Federation

Tel: 7-499-255 6953  
Fax: 7-499-255 6953

## **Malaysia**

Lot 5755-6, Kidamai Industrial Park,  
Bukit Angkat,  
43000 Kajang,  
Selangor Darul Ehsan,  
Malaysia

Tel: 603-8924 9000  
Fax: 603-8739 5020

**DUNHAM-BUSH**

info@dunham-bush.com  
www.dunham-bush.com

Products that perform...By people who care