



## 6WCPS-B Series 60Hz

Water Cooled Packaged Units

Cooling Capacity: 7 to 127 TR (25 to 447 kW)

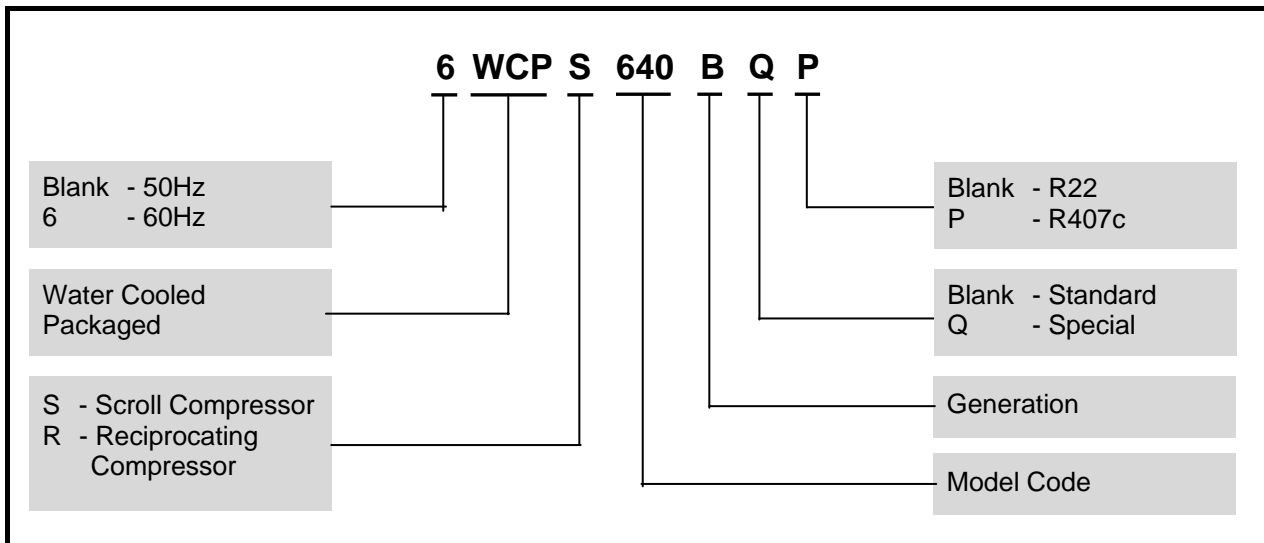


**R<sub>22</sub>**

**DUNHAM-BUSH**

Products that perform...By people who care

# NOMENCLATURE



## WATER COOLED PACKAGE UNITS

### GENERAL DESCRIPTION

The 6WCPS-B series with new features is suitable for hotel, office, hospital, schools, factory and supermarket applications. The low noise and compact series are completely leak tested, evacuated, dehydrated and precharged with refrigerant so that it is ready for connection when reached the site.

### Scroll Compressor(s)

#### Reliability

- ✦ No contact scroll design that minimizes friction, increases volumetric efficiency and reduces vibration, thus longer service life.
- ✦ Suction gas cooled motor.

#### Low Power Consumption:

- ✦ High EER.
- ✦ No crankcase heater required.



### Tandem Compressor (6WCPS 570B to 1520B)

For model with 3 compressors system and above, two compressors are connected in tandem, thus reducing the number of condenser water inlet/outlet connection.



### Multiple Compressors (6WCPS 250B to 1520B)

- ✦ By cycling off compressor(s) operation to match building load, no energy is being wasted when room load requires lesser cooling capacity.
- ✦ No total shut down when servicing or repairing a faulty compressor.

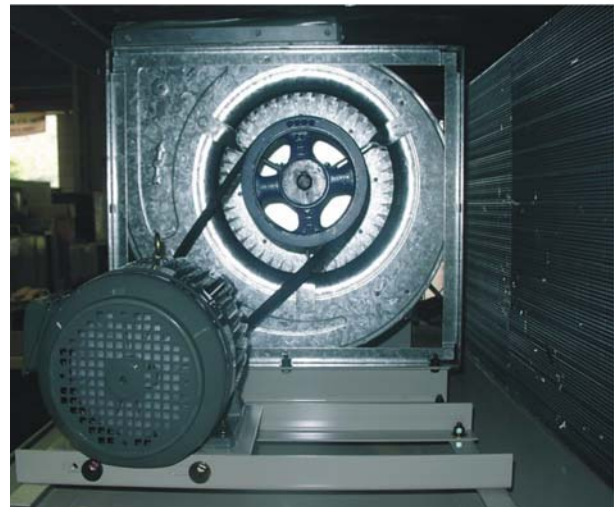
# WATER COOLED PACKAGE UNITS

## Cleanable Shell and Tube Condenser

- ✦ Multiple 3/4" O.D. copper finned tubes with 25 to 30% more surface area ensure better heat transfer.
- ✦ Integral subcooling circuit to maximize efficiency.
- ✦ Provided with fusible plug for safety purpose.
- ✦ Leak and pressure tested to 450 psig.



level and eliminates the need for common transition and eliminates air unbalance.



## Fully Leak Tested Refrigerant Circuit

- ✦ Leak and pressure tested at 450 psig.
- ✦ Pressure ports are provided on the discharge, liquid and suction line.
- ✦ Evacuated, dehydrated and charged with refrigerant.

## Safety Components

- ✦ High-low pressure cutout to protect compressor from high discharge pressure and system leakage.
- ✦ Liquid line sight glass and filter drier for refrigerant line components.

## Efficient Evaporator Coil

- ✦ Independent thermal expansion valve with external equalizer for better refrigerant control and wider load condition.
- ✦ Leak and pressure tested to 450 psig
- ✦ Evacuated, dehydrated and charged with refrigerant.

## Drive Package and Blowers (6WCPS 108B to 1520B)

- ✦ Belt driven drive package offers flexibility on various air flow rate and various static pressure applications.
- ✦ Single large diameter double inlet double width blowers (AMCA certified) reduce the noise

## Casing

- ✦ Constructed of electro galvanized steel sheet and insulated with 1/2" thick x 1 1/2 lb per cu.ft linacoustic fiberglass.
- ✦ Aesthetically coated with powder paint to provide excellent finish, weatherability and corrosion resistance.
- ✦ Removable panels on the left and right hand side of the unit to provide access to critical parts and components.

## Filters

Side loading 1" thick filters - from both sides-thus eliminates unnecessary duct opening at site.

## Optional Accessories Features

- ✦ Factory wired starters
  - DOL for compressors and fan motors.
  - Auto-transformer for compressors.
- ✦ Suction stop valve(s), discharge stop valve(s) and liquid stop valve(s).
- ✦ Thermostat.
- ✦ Hydrophilic aluminum fins or copper fins for better corrosion resistance.
- ✦ Hot gas by pass for low load conditions.
- ✦ Hot water heating coils.
- ✦ Electric heaters.
- ✦ Optional R407C refrigerant.



# PHYSICAL SPECIFICATIONS

MODEL	COMPRESSOR				COND. *		BLOWER SECTION						EVAPORATOR COIL		FILTERS CHARGE		R 22	APPROX. OPERATING WEIGHT (LBS)
	QTY	MCC EA.	LRA EA.	NRA EA.	QTY	MIN-MAX USGPM	BLOWER		MOTOR			FAN CFM	ROWS DEEP	TOTAL FACE AREA (FT <sup>2</sup> )	QTY	SIZE (INCH)	QTY x LBS COMP.	
							QTY	DIA x WIDTH (INCH)	MAX HP	FLA	LRA	MIN MAX CFM						
6WCPS 81B	1	1x14.0	1x74.0	1x7.4	1	8 29	1	12x12	1.0	-	-	-	3	5.7	1 1	16x25 20x25	1x8.3	762
6WCPS 95B	1	1x17.0	1x101.0	1x9.6	1	9 33	1	12x12	1.0	-	-	-	3	6.2	1 1	16x25 20x25	1x9.9	840
6WCPS 108B	1	1x23.0	1x95.0	1x10.7	1	13 44	1	12x12	4.0	5.4	28.8	2250 4125	3	6.6	2 2	16x16 16x20	1x12.3	1350
6WCPS 125B	1	1x24.2	1x114.0	1x12.2	1	13 44	1	12x12	4.0	5.4	28.8	2250 4125	3	7.6	2 2	16x16 16x20	1x13.2	1350
6WCPS 145B	1	1x26.9	1x125.0	1x13.9	1	15 51	1	12x12	4.0	5.4	28.8	2380 4355	4	7.6	2 2	16x16 16x20	1x17.6	1368
6WCPS 160B	1	1x27.5	1x125.0	1x15.8	1	16 56	1	12x12	4.0	5.4	28.8	2380 4355	3	11.3	2 2	16x25 20x25	1x16	1397
6WCPS 190B	1	1x34.0	1x167.0	1x16.0	1	19 67	1	15x15	7.5	9.3	60.0	3970 7270	3	12	2 2	16x25 20x25	1x23.8	1750
6WCPS 220B	2	1x37.0	1x198.0	1x20.0	1	22 76	1	15x15	7.5	9.3	60.0	4600 8440	3	15.1	2 4	16x20 16x25	1x25.3	1880
6WCPS 250B	2	1x23.0 1x26.9	1x95.0 1x125.0	1x10.7 1x13.9	2	25 88	1	15x15	7.5	9.3	60.0	4960 9090	3	16.3	1 1 2 2	16x20 16x25 20x20 20x25	1x12.3 1x17.6	1980
6WCPS 290B	2	2x26.9	2x125.0	2x13.9	2	29 100	1	18x13	15.0	17.8	111.0	6020 11040	3	19.8	3 1 2	20x25 20x20 25x25	2x17.6	2375
6WCPS 320B	2	2x27.5	2x125.0	2x15.8	2	32 112	1	18x13	15.0	17.8	111.0	6375 11690	3	20.9	3 1 2	20x25 20x20 25x25	2x16.0	2700
6WCPS 380B	2	2x34.0	2x167.0	16.0	2	38 133	1	18x18	15.0	17.8	111.0	6375 11690	4	20.9	3 1 2	20x25 20x20 25x25	2x23.8	3150
6WCPS 435B	2	2x37.0	2x198.0	2x20.0	2	45 156	1	18x18	20.0	23.7	144.0	7080 13000	4	23.6	4 2	25x25 20x25	2x25.3	3372
6WCPS 480B	3	1x34.0 2x26.9	1x167.0 2x125.0	1x16.0 2x13.9	3	48 168	1	20x20	20.0	23.7	144.0	9000 16500	3	30	9	20x25	1x23.8 2x17.6	4264
6WCPS 510	3	3x27.5	3x125.0	3x15.8	3	51 178	1	22x22	20.0	23.7	144.0	9000 16500	3	30	9	20x25	3x16.0	4264
6WCPS 570B	3	3x34.0	3x167.0	3x16.0	2	57 200	1	22x22	20.0	23.7	144.0	9000 16500	4	30	9	20x25	3x23.8	4640
6WCPS 640B	3	2x37.0 1x34.0	2x198.0 1x167.0	2x20.0 1x16.0	3	64 224	1	22x22	30.0	34.8	211.0	10800 19800	4	36	9	25x25	2x25.3 1x23.8	6260
6WCPS 700B	4	2x34.0 2x27.5	2x167.0 2x125.0	2x16.0 2x15.8	3	70 245	1	22x22	30.0	34.8	211.0	11500 21200	4	37.9	12	20x25	2x23.8 2x16.0	6300
6WCPS 760B	4	4x34.0	4x167.0	4x16.0	4	76 266	1	22x22	30.0	34.8	211.0	12200 32340	4	40.6	12	20x25	4x23.8	6521
6WCPS 800B	4	3x34.0 1x37.0	3x167.0 1x198.0	3x16.0 1x20.0	3	80 280	1	25x25	40.0	47.1	291.0	16150 29620	3	50.6	6 2 6 2	16x25 16x20 25x25 20x25	3x23.8 1x25.3	6972
6WCPS 860B	4	3x37.0 1x34.0	3x198.0 1x167.0	3x20.0 1x16.0	3	89 312	1	28x28	40.0	47.1	291.0	16150 29620	3	50.6	6 2 6 2	16x25 16x20 25x25 20x25	1x23.8 3x25.3	7480
6WCPS 950B	5	2x37.0 2x34.0 1x23.0	2x198.0 2x167.0 1x95.0	2x20.0 2x16.0 1x10.7	3	96 336	1	28x28	40.0	47.1	291.0	16150 29620	4	50.6	6 2 6 2	16x25 16x20 25x25 20x25	2x23.8 2x25.3 1x12.3	7750
6WCPS 1140B	5	5x37.0	5x198.0	5x20.0	3	114 399	2	22x22	50.0	58.5	363.0	20000 36770	4	70.8	2 10 8	20x20 20x25 25x25	5x25.3	8790
6WCPS 1340B	6	6x37.0	6x198.0	6x20.0	3	134 469	2	22x22	50.0	58.5	363.0	21200 38870	4	70.8	2 10 8	20x20 20x25 25x25	6x25.3	9122
6WCPS 1520B	7	5x37.0 2x34.0	5x198.0 2x167.0	5x20.0 2x16.0	4	152 532	2	22x22	50.0	58.5	363.0	21200 38870	5	70.8	2 10 8	20x20 20x25 25x25	5x25.3 2x23.8	9240

\* Condenser type: Cleanable shell and tubes.

- Notes:**
- 1.) LRA = Locked rotor ampere.
  - 2.) NRA = Nominal running ampere.
  - 3.) MCC = Maximum continuous current.
  - 4.) FLA = Full load ampere.
  - 5.) Power supply is 460V-3-60Hz except the blower motor for 6WCPR 81B to 6WCPS 95B which is 230V-1ph-60Hz.
  - 6.) Minimum-maximum voltage is 460V ± 6%.
  - 7.) For other power supply requirements, please contact the Dunham-Bush sales office.
  - 8.) Blower for model 6WCPS 81B to 95B as direct driven.
  - 9.) Filter is one inch thick.



# SYSTEM COOLING CAPACITY

## PERFORMANCE DATA

MODEL	STD CAPACITY MBH	AIR ON EVAP.		WATER TEMPERATURE OFF CONDENSER - °F								
		CFM	WB TEMP. °F	80			95			110		
				TOTAL MBH'	SENS MBH <sup>2</sup>	KW <sup>3</sup>	TOTAL MBH'	SENS MBH <sup>2</sup>	KW <sup>3</sup>	TOTAL MBH'	SENS MBH <sup>2</sup>	KW <sup>3</sup>
6WCPS 81B	81	2400	72	91.1	44.3	3.8	85.8	41.4	4.1	74.5	39.3	4.2
			67	86.9	56.4	3.6	81.0	54.2	4.0	76.8	52.6	4.1
			62	79.3	67.8	3.6	73.3	65.3	3.9	70.0	63.5	4.1
			57	70.0	70.0	3.5	64.8	64.8	3.9	61.5	61.5	4.1
6WCPS 95B	95	2800	72	106.9	57.0	4.7	100.7	53.6	5.1	90.9	50.7	5.3
			67	101.9	75.8	4.5	95.0	70.8	5.0	90.1	67.0	5.2
			62	93.1	92.4	4.5	87.1	86.6	4.8	82.2	82.2	5.1
			57	82.3	82.3	4.4	76.1	76.1	4.8	72.2	72.2	5.1
6WCPS108B	108	3500	72	121.6	64.8	5.3	114.5	61.1	5.6	108.0	57.6	5.9
			67	115.9	86.2	5.1	108.0	80.4	5.6	102.4	76.2	5.9
			62	105.9	105.1	5.0	99.1	98.4	5.5	93.5	93.5	5.7
			57	93.5	93.5	5.0	86.6	86.6	5.4	82.1	82.1	5.7
6WCPS125B	125	3800	72	140.7	75.4	6.2	132.5	71.0	6.7	125.0	67.0	7.0
			67	134.1	99.6	5.9	125.0	92.8	6.5	118.4	87.9	6.8
			62	122.4	121.3	5.9	114.6	113.6	6.4	108.1	108.1	6.7
			57	108.1	108.1	5.8	100.3	100.3	6.4	95.0	95.0	6.7
6WCPS 145B	145	4000	72	163.2	76.9	7.1	153.7	72.4	7.6	145.0	68.3	8.0
			67	155.6	101.5	6.7	145.0	94.6	7.4	137.3	89.6	7.7
			62	142.0	123.7	6.7	132.9	115.8	7.3	125.4	110.2	7.6
			57	125.4	110.2	6.6	116.3	102.2	7.3	110.2	96.8	7.6
6WCPS 160B	160	4200	72	179.9	102.7	8.0	169.5	96.7	8.6	159.9	91.1	8.9
			67	171.6	139.1	7.8	160.0	129.6	8.4	151.7	122.9	8.8
			62	156.6	156.6	7.7	146.7	146.7	8.2	138.3	138.3	8.6
			57	138.3	138.3	7.4	127.9	127.9	8.2	121.6	121.6	8.6
6WCPS 190B	190	5800	72	213.7	84.5	9.2	201.4	107.2	9.9	190.0	101.1	10.2
			67	203.8	150.1	8.7	190.0	139.9	9.6	180.1	132.6	10.0
			62	186.0	182.6	8.7	174.1	171.0	9.3	164.3	164.3	9.9
			57	163.6	163.6	8.5	152.3	152.3	9.3	144.4	144.4	9.9
6WCPS 220B	220	6400	72	248.8	144.6	10.9	234.5	136.3	11.9	220.0	127.8	12.2
			67	233.4	192.9	10.4	220.0	181.8	11.5	206.6	170.7	12.0
			62	215.6	215.6	10.4	204.4	204.4	11.1	178.0	178.0	11.9
			57	195.6	195.6	10.2	173.4	173.4	11.1	170.0	170.0	11.9
6WCPS 250B	250	6800	72	281.2	148.5	12.4	264.9	139.8	13.5	249.9	131.9	13.8
			67	265.2	194.7	11.8	250.0	183.5	13.0	236.9	174.0	13.6
			62	244.6	230.2	11.8	228.3	228.3	12.6	216.2	216.2	13.5
			57	222.1	222.1	11.6	200.4	200.4	12.6	189.9	189.9	13.5
6WCPS 290B	288	7800	72	325.9	163.7	13.9	307.0	154.2	14.8	290.1	144.7	15.7
			67	305.6	210.0	13.8	288.0	198.0	14.6	270.6	186.0	15.6
			62	282.2	252.9	13.6	267.7	239.9	14.6	250.2	224.2	15.5
			57	256.1	256.1	13.5	241.5	241.5	14.4	224.0	224.0	15.4
6WCPS 320B	320	8400	72	362.1	180.8	15.9	341.1	170.3	17.2	320.1	159.9	17.7
			67	343.5	230.3	15.1	320.0	217.0	16.7	300.7	203.9	17.5
			62	313.4	275.8	15.1	297.5	261.3	16.2	278.1	244.6	17.2
			57	284.5	284.5	14.9	268.4	268.4	16.2	260.0	260.0	17.2

Notes: 1.) Ratings are gross capacities. For net capacities, deduct evaporator blower motor heat.  
 2.) At 80°F (26.6°C) DB air on evaporator.  
 3.) Compressor KW input.



# SYSTEM COOLING CAPACITY

## PERFORMANCE DATA

MODEL	STD CAPACITY MBH	AIR ON EVAP.		WATER TEMPERATURE OFF CONDENSER - °F								
		CFM	WB TEMP. °F	80			95			110		
				TOTAL MBH'	SENS MBH²	KW³	TOTAL MBH'	SENS MBH²	KW³	TOTAL MBH'	SENS MBH²	KW³
6WCPS 380B	380	10500	72	427.4	221.9	18.2	405.9	209.1	19.7	380.0	197.4	20.3
			67	407.7	292.5	17.3	380.0	272.6	19.1	360.2	258.5	20.0
			62	371.9	353.9	17.3	348.4	331.6	18.5	328.6	312.8	19.7
			57	328.6	328.6	17.0	318.5	318.5	18.5	308.0	308.0	19.7
6WCPS 435B	435	11500	72	470.5	236.8	21.5	443.2	223.0	22.9	415.8	209.2	24.2
			67	441.1	354.7	21.4	435.0	285.7	22.7	390.6	268.4	24.1
			62	407.4	366.6	21.0	386.4	347.6	22.6	361.2	324.9	23.9
			57	369.7	369.7	20.9	348.7	348.7	22.3	342.1	342.1	23.8
6WCPS 480B	480	13500	72	543.0	271.5	23.8	511.4	255.8	25.3	479.9	240.0	26.8
			67	509.0	344.6	23.6	480.0	325.1	25.1	450.8	305.4	26.7
			62	470.2	414.3	23.2	445.9	393.0	24.9	416.9	367.3	26.5
			57	426.6	426.6	23.0	402.4	402.4	24.7	396.0	396.0	26.3
6WCPS 510B	510	14500	72	577.0	288.5	25.0	543.5	271.8	26.5	510.0	255.0	28.1
			67	540.9	366.2	24.7	510.0	345.5	26.3	479.1	324.5	28.0
			62	499.7	440.3	24.4	473.9	417.6	26.1	443.0	390.3	27.8
			57	453.3	453.3	24.1	427.6	427.6	25.9	420.0	420.0	27.6
6WCPS 570B	570	15500	72	645.0	324.0	27.2	607.6	305.2	28.9	570.1	286.3	30.7
			67	604.7	414.4	27.0	570.0	397.4	28.7	535.5	367.1	30.6
			62	558.6	500.5	26.6	529.8	474.7	28.5	495.2	443.7	30.4
			57	506.8	506.8	26.4	478.0	478.0	28.3	470.0	470.0	30.1
6WCPS 640B	640	17000	72	724.0	360.4	31.7	682.0	339.5	33.6	640.0	318.6	35.8
			67	678.8	455.8	31.5	640.0	429.7	33.4	601.2	403.7	35.5
			62	627.1	550.1	31.0	594.8	521.8	33.2	556.0	487.8	35.3
			57	568.9	568.9	30.7	536.6	536.6	32.9	530.0	530.0	35.1
6WCPS 700B	700	18000	72	792.2	396.0	34.0	746.2	372.9	36.1	700.2	350.0	38.3
			67	742.7	503.2	33.6	700.0	474.5	35.8	657.8	445.6	38.1
			62	686.0	605.0	33.2	650.7	573.9	35.6	608.3	536.4	37.9
			57	622.4	622.4	32.9	587.0	587.0	35.3	581.0	581.0	37.6
6WCPS 760B	760	20000	72	859.7	429.7	36.3	809.7	404.7	38.5	759.9	379.8	40.9
			67	806.0	546.0	35.9	760.0	514.9	38.2	713.8	483.6	40.7
			62	744.5	656.6	35.4	706.2	622.8	37.9	660.1	582.2	40.4
			57	675.5	675.5	35.1	637.0	637.0	37.7	630.0	630.0	40.1
6WCPS 800B	800	22000	72	905.0	452.3	39.6	852.4	426.0	42.0	799.9	399.9	44.7
			67	848.4	574.8	39.2	800.0	542.0	41.8	751.4	509.1	44.4
			62	783.7	691.2	38.7	743.4	655.6	41.4	694.9	612.8	44.1
			57	711.1	711.1	38.4	670.6	670.6	41.1	665.0	665.0	43.8
6WCPS 860B	860	24000	72	973.3	554.0	42.1	916.3	521.5	44.8	859.9	489.4	47.6
			67	912.1	678.8	41.9	860.0	668.6	44.4	807.8	627.9	47.4
			62	842.5	857.0	41.2	799.1	731.1	44.1	746.9	684.3	47.0
			57	764.3	864.4	40.9	721.0	815.4	43.8	715.1	808.7	46.7
6WCPS 950B	950	26000	72	1075.3	546.8	45.5	1012.3	514.8	48.4	950.0	483.1	51.4
			67	1007.6	670.0	45.2	950.0	660.0	48.0	892.4	619.9	51.2
			62	930.8	846.0	44.6	882.8	721.7	47.6	825.2	705.0	50.8
			57	844.4	853.3	44.2	796.5	804.9	47.3	788.7	797.0	50.4
6WCPS 1140B	1140	28000	72	1290.9	649.6	54.4	1215.3	611.6	57.8	1140.5	573.9	61.3
			67	1209.6	796.0	54.1	1140.0	784.1	57.4	1071.3	736.4	61.1
			62	1117.4	1005.0	53.2	1059.8	857.4	56.9	990.7	840.0	60.7
			57	1013.7	1013.7	52.8	956.2	956.2	56.5	950.0	950.0	60.2
6WCPS 1340B	1340	32000	72	1516.9	763.3	65.7	1428.1	718.7	69.7	1340.2	674.4	74.0
			67	1421.4	935.3	65.2	1340.0	921.4	69.2	1258.9	865.4	73.7
			62	1313.1	1181.0	64.2	1245.4	1007.5	68.7	1164.1	997.0	73.2
			57	1191.2	1191.2	63.7	1123.6	1123.6	68.2	1110.0	1110.0	72.7
6WCPS 1520B	1520	36000	72	1720.1	865.6	72.5	1619.4	814.9	77.0	1519.7	764.7	81.8
			67	1611.8	1060.6	72.1	1520.0	1044.8	76.5	1427.5	981.3	81.4
			62	1489.0	1339.2	71.0	1412.2	1142.5	75.9	1320.1	1104.0	80.9
			57	1350.8	1350.8	70.4	1274.2	1274.2	75.4	1204.0	1204.0	80.3

Notes: 1.) Ratings are gross capacities. For net capacities, deduct evaporator blower motor heat.  
 2.) At 80°F (26.6°C) DB air on evaporator.  
 3.) Compressor KW input.

# BLOWER PERFORMANCE

Available External Static Pressure - IWG - For Accessories And Duct System Static Resistance (Allowance Made For Wet Coil And Filters)

RPM	CFM										FAN MODEL
	ESP	BHP	ESP	BHP	ESP	BHP	ESP	BHP	ESP	BHP	
<b>6WCPS 108B</b>											
	2600		2900		3200		3500		3800		<b>12 / 12</b>
800	0.53	0.82	0.46	0.95	0.41	1.11	0.33	1.27	0.23	1.45	
900	0.80	1.01	0.76	1.17	0.70	1.33	0.63	1.50	0.55	1.72	
1000	1.04	1.21	1.06	1.38	1.02	1.57	0.95	1.77	0.88	2.00	
1100	1.26	1.42	1.33	1.62	1.36	1.85	1.32	2.08	1.23	2.32	
<b>6WCPS 125B</b>											
	3000		3300		3600		3900		4200		<b>12 / 12</b>
850	0.65	1.10	0.58	1.26	0.53	1.45	0.45	1.63	0.35	1.85	
950	0.96	1.33	0.89	1.50	0.84	1.70	0.78	1.93	0.70	2.16	
1050	1.27	1.57	1.24	1.78	1.18	2.00	1.13	2.24	1.06	2.51	
1150	1.54	1.84	1.58	2.08	1.56	2.32	1.50	2.59	1.43	2.87	
<b>6WCPS 145B</b>											
	3100		3400		3700		4000		4300		<b>12 / 12</b>
900	0.70	1.26	0.64	1.45	0.56	1.65	0.47	1.85	0.35	2.08	
1000	1.03	1.51	0.96	1.70	0.88	1.92	0.80	2.16	0.71	2.41	
1100	1.34	1.77	1.32	2.00	1.24	2.24	1.16	2.49	1.08	2.77	
1200	1.62	2.05	1.66	2.30	1.64	2.60	1.55	2.87	1.47	3.16	
<b>6WCPS 160B</b>											
	3300		3600		3900		4200		4500		<b>12 / 12</b>
900	0.87	1.38	0.83	1.57	0.77	1.77	0.71	2.01	0.63	2.24	
1000	1.20	1.63	1.16	1.85	1.11	2.08	1.05	2.32	1.01	2.59	
1100	1.55	1.93	1.52	2.16	1.47	2.41	1.42	2.68	1.38	2.97	
1200	1.87	2.22	1.90	2.49	1.86	2.77	1.81	3.07	1.78	3.38	
<b>6WCPS 190B</b>											
	5000		5400		5800		6200		6600		<b>15 / 15</b>
800	0.82	2.17	0.78	2.47	0.72	2.73	0.45	3.08	0.02	3.50	
900	1.21	2.59	1.16	2.91	1.11	3.26	1.06	3.62	0.98	3.98	
1000	1.62	3.04	1.59	3.39	1.54	3.81	1.48	4.19	1.42	4.64	
1100	2.08	3.64	2.05	3.98	2.01	4.37	1.97	4.84	1.89	5.32	
<b>6WCPS 220B</b>											
	5600		6000		6400		6800		7200		<b>15 / 15</b>
850	0.99	2.84	0.94	3.16	0.80	3.50	0.38	3.94	-	-	
900	1.18	3.07	1.14	3.44	1.09	3.79	0.94	4.18	0.48	4.69	
1000	1.62	3.60	1.56	3.99	1.52	4.41	1.47	4.86	1.42	5.29	
1100	2.08	4.17	2.05	4.61	1.99	5.07	1.94	5.56	1.90	6.10	
<b>6WCPS 250B</b>											
	5600		6000		6400		6800		7200		<b>15 / 15</b>
850	1.02	2.84	0.97	3.16	0.83	3.50	0.43	3.94	-	-	
900	1.21	3.07	1.17	3.44	1.12	3.79	0.99	4.18	0.51	4.69	
1000	1.65	3.60	1.59	3.99	1.55	4.41	1.52	4.86	1.45	5.29	
1100	2.11	4.17	2.08	4.61	2.02	5.07	1.99	5.56	1.93	6.10	
<b>6WCPS 290B</b>											
	6200		6800		7400		8000		8600		<b>18 / 13</b>
800	1.55	3.60	1.44	4.10	1.33	4.64	1.23	5.15	0.84	5.78	
900	2.12	4.40	2.08	5.00	1.97	5.56	1.83	6.26	1.72	6.86	
1000	2.76	5.25	2.71	5.92	2.67	6.69	2.55	7.33	2.41	8.16	
1100	3.42	6.15	3.41	6.97	3.35	7.76	3.30	8.67	3.21	9.49	

Note: Data shown for Class 1 fan construction.

# BLOWER PERFORMANCE

Available External Static Pressure - IWG - For Accessories And Duct System Static Resistance (Allowance Made For Wet Coil And Filters)

RPM	CFM										FAN MODEL
	ESP	BHP	ESP	BHP	ESP	BHP	ESP	BHP	ESP	BHP	
<b>6WCPS 320B</b>											
	6600		7200		7800		8400		8800		<b>18 / 13</b>
850	1.81	4.34	1.69	4.89	1.58	5.51	1.48	6.06	1.32	6.51	
900	2.12	4.81	2.04	5.36	1.90	6.02	1.77	6.66	1.72	7.09	
1000	2.74	5.68	2.70	6.43	2.62	7.10	2.48	7.87	2.39	8.46	
1100	3.43	6.69	3.39	7.49	3.35	8.38	3.27	9.23	3.19	9.77	
<b>6WCPS 380B</b>											
	7600		8400		9200		10000		10800		<b>18 / 18</b>
700	0.86	3.52	0.75	4.11	0.53	4.77	0.21	5.45	-	-	
750	1.10	3.89	1.00	4.54	0.87	5.24	0.61	6.00	0.26	6.81	
800	1.36	4.33	1.27	4.98	1.15	5.76	1.00	6.55	0.69	7.45	
850	1.63	4.77	1.55	5.48	1.44	6.27	1.31	7.14	1.10	8.05	
<b>6WCPS 435B</b>											
	8600		9400		10200		11000		11800		<b>18 / 18</b>
700	0.77	4.26	0.55	4.94	0.22	5.67	-	-	-	-	
750	1.04	4.73	0.92	5.43	0.59	6.19	0.29	7.04	0.05	7.97	
800	1.31	5.17	1.21	5.94	1.01	6.77	0.70	7.66	0.37	8.64	
850	1.59	5.67	1.50	6.49	1.36	7.38	1.14	8.32	0.79	9.34	
<b>6WCPS 480B</b>											
	8000		9500		11000		12500		14000		<b>20 / 20</b>
550	0.68	2.64	0.56	3.34	0.39	4.17	0.19	5.11	-	-	
650	1.16	3.54	1.07	4.38	0.93	5.36	0.77	6.49	0.53	7.69	
750	1.68	4.64	1.63	5.64	1.51	6.75	1.38	8.03	1.19	9.50	
850	2.21	5.98	2.24	7.09	2.16	8.42	2.05	9.86	1.89	11.50	
<b>6WCPS 510B</b>											
	10000		11500		13000		14500		16000		<b>22 / 22</b>
500	0.66	3.34	0.57	4.03	0.42	4.79	0.24	5.67	0.03	6.62	
600	1.22	4.64	1.15	5.46	1.03	6.41	0.89	4.78	0.68	8.59	
700	1.79	6.29	1.80	7.21	1.73	8.33	1.59	9.58	1.42	10.92	
800	2.42	8.35	2.44	9.41	2.45	10.66	2.38	12.16	2.24	13.74	
<b>6WCPS 570B</b>											
	11000		13500		15000		15800		16500		<b>22 / 22</b>
550	0.85	4.48	0.62	5.90	0.45	6.89	0.32	7.41	0.23	7.91	
650	1.45	6.01	1.29	7.73	1.13	8.86	1.03	9.58	0.95	10.17	
700	1.75	6.92	1.64	8.77	1.49	10.00	1.39	10.75	1.32	11.35	
800	2.40	9.03	2.39	11.17	2.31	12.57	2.22	13.55	2.16	14.30	
<b>6WCPS 640B</b>											
	14600		15400		16200		17000		17800		<b>22 / 22</b>
550	0.65	6.61	0.52	7.10	0.44	7.75	0.37	8.32	0.22	8.96	
650	1.32	8.58	1.22	9.18	1.13	9.89	1.08	10.61	0.94	11.90	
700	1.69	9.66	1.58	10.39	1.51	11.08	1.46	11.91	1.33	12.65	
750	2.08	10.94	1.98	11.67	1.91	12.46	1.87	13.33	1.75	14.15	
<b>6WCPS 700B</b>											
	15600		16400		17200		18000		18800		<b>22 / 22</b>
550	0.55	7.26	0.45	7.88	0.33	8.47	0.24	9.12	0.10	9.80	
600	0.89	8.27	0.79	8.95	0.67	9.57	0.60	10.34	0.46	11.05	
650	1.25	9.39	1.15	10.06	1.05	10.81	0.75	11.55	0.83	12.36	
700	1.63	10.64	1.53	11.23	1.45	12.71	1.37	12.93	1.25	13.88	

Note: Data shown for Class 1 fan construction.



# BLOWER PERFORMANCE

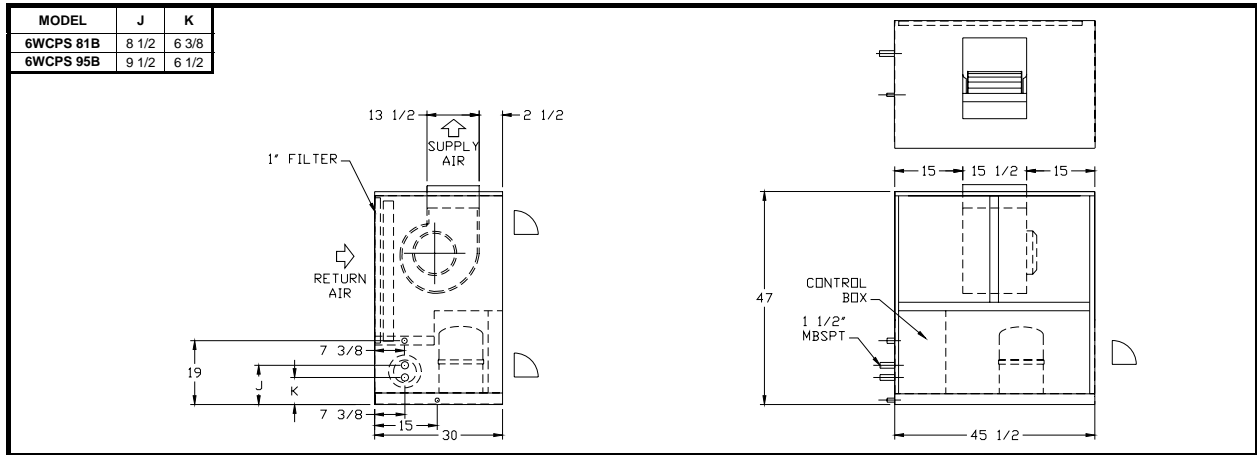
Available External Static Pressure - IWG - For Accessories And Duct System Static Resistance (Allowance Made For Wet Coil And Filters)

RPM	CFM										FAN MODEL
	ESP	BHP	ESP	BHP	ESP	BHP	ESP	BHP	ESP	BHP	
<b>6WCPS 760B</b>											
	13000		15000		17000		19000		21000		<b>25 / 25</b>
500	0.95	5.50	0.83	6.54	0.77	7.87	0.37	9.44	-	-	
550	1.29	6.59	1.18	7.72	1.06	9.11	0.87	10.68	0.48	12.64	
600	1.64	7.74	1.55	9.09	1.44	10.56	1.27	12.15	1.06	14.20	
650	1.94	8.99	1.94	10.55	1.84	12.15	1.69	13.92	1.52	15.95	
<b>6WCPS 800B</b>											
	15000		17000		19000		21000		23000		<b>25 / 25</b>
550	1.33	7.72	1.22	9.12	1.10	10.70	0.75	12.64	0.12	14.75	
600	1.70	9.09	1.59	10.52	1.50	12.20	1.33	14.20	0.91	16.50	
640	2.01	10.25	1.92	11.82	1.82	13.50	1.70	15.63	1.46	18.00	
680	2.33	11.40	2.26	13.21	2.16	15.03	2.05	17.14	1.89	19.62	
<b>6WCPS 860B</b>											
	17000		19000		21000		23000		25000		<b>28 / 28</b>
400	0.69	5.88	0.59	6.86	0.47	8.08	0.19	9.40	-	-	
450	1.05	7.18	0.98	8.31	0.87	9.55	0.72	10.98	0.52	12.64	
500	1.42	8.58	1.39	9.96	1.29	11.28	1.16	12.86	1.03	14.58	
600	2.22	12.17	2.23	13.61	2.20	15.42	2.11	17.30	2.02	19.32	
<b>6WCPS 950B</b>											
	19000		21000		23000		25000		27000		<b>28 / 28</b>
450	0.95	8.31	0.85	9.56	0.70	10.98	0.48	12.63	-	-	
500	1.35	9.92	1.27	11.29	1.14	12.86	1.00	14.59	0.81	16.47	
600	2.20	13.62	2.18	15.43	2.09	17.30	1.99	19.32	1.84	21.53	
650	2.66	15.94	2.66	17.66	2.60	19.87	2.52	22.11	2.39	24.46	
<b>6WCPS 1140B</b>											
	20000		22000		24000		26000		28000		<b>2 x 22 / 22</b>
500	0.60	6.71	0.55	7.58	0.45	8.55	0.36	9.69	0.26	10.83	
600	1.12	9.19	1.10	10.33	1.02	11.58	0.93	12.81	0.86	14.26	
700	1.65	12.35	1.69	13.71	1.64	15.06	1.59	16.70	1.52	18.37	
800	2.24	16.25	2.29	17.86	2.29	19.47	2.27	21.13	2.25	23.13	
<b>6WCPS 1340B</b>											
	25000		27000		29000		31000		33000		<b>2 x 22 / 22</b>
500	0.40	9.13	0.30	10.22	0.20	11.40	0.07	12.77	-	-	
600	0.96	12.15	0.90	13.57	0.80	14.94	0.67	16.52	0.55	18.17	
700	1.61	15.88	1.55	17.51	1.47	19.19	1.37	21.06	1.25	22.86	
800	2.28	20.33	2.27	22.19	2.22	24.16	2.12	26.29	2.03	28.54	
<b>6WCPS 1520B</b>											
	28000		30000		32000		34000		36000		<b>2 x 22 / 22</b>
500	0.25	10.83	0.13	12.09	-	-	-	-	-	-	
600	0.85	14.26	0.74	15.80	0.60	17.34	0.49	19.08	0.35	20.89	
700	1.51	18.37	1.41	20.10	1.31	22.00	1.20	23.99	1.07	26.16	
800	2.24	23.13	2.16	25.19	2.06	27.36	1.96	29.60	1.87	32.15	

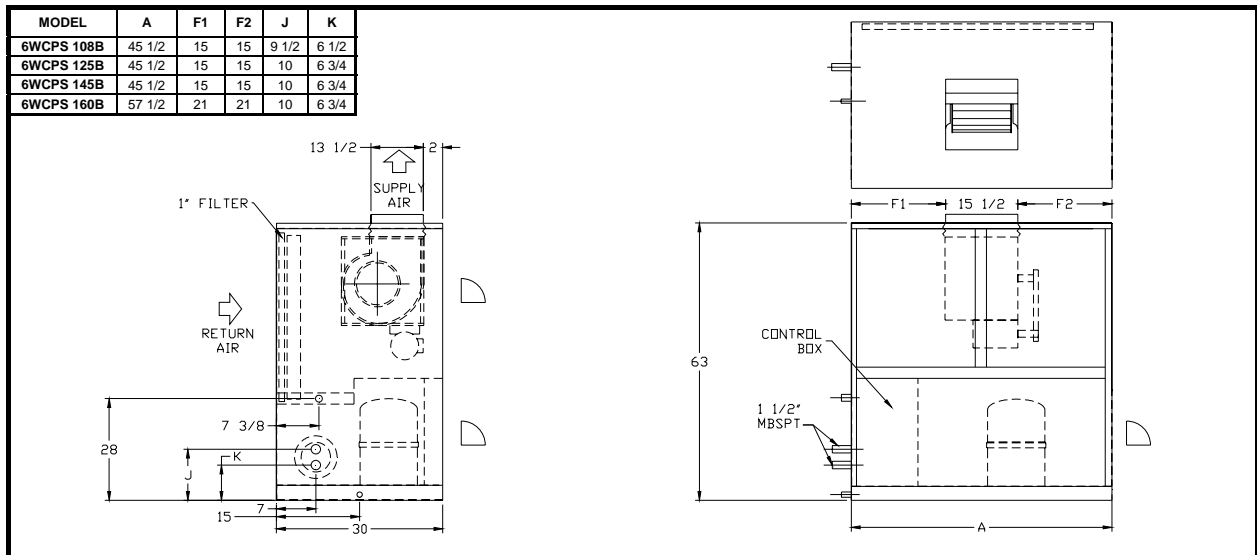
Note: Data shown for Class 1 fan construction.

# DIMENSIONAL DATA

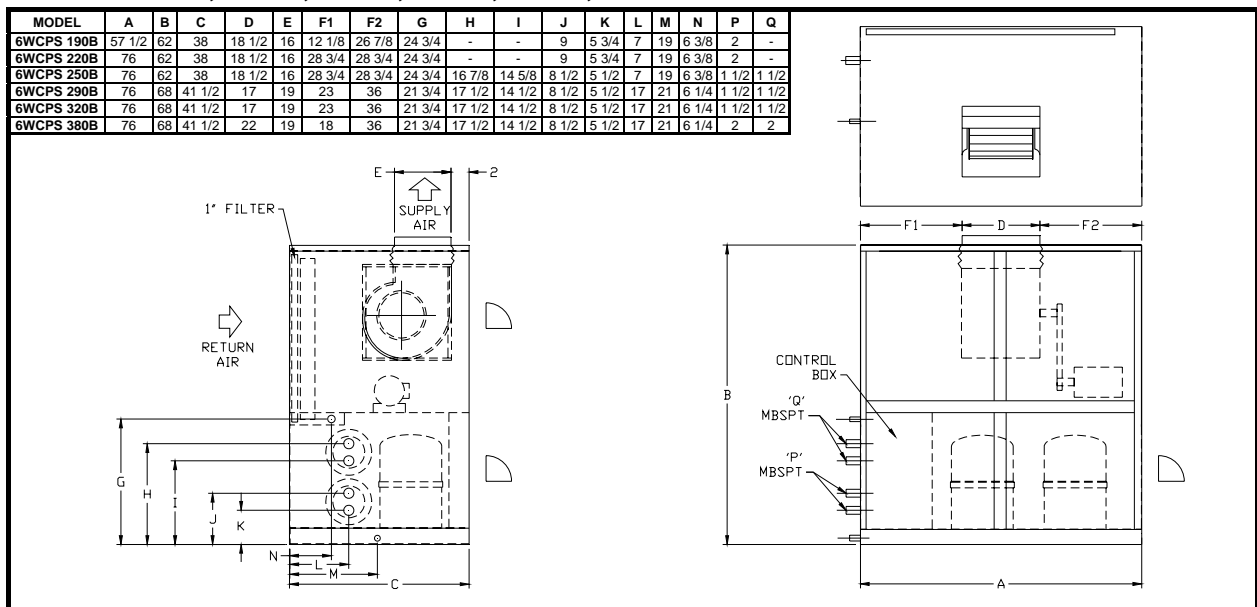
## 6WCPS 81B, 95B



## 6WCPS 108B, 125B, 145B, 160B



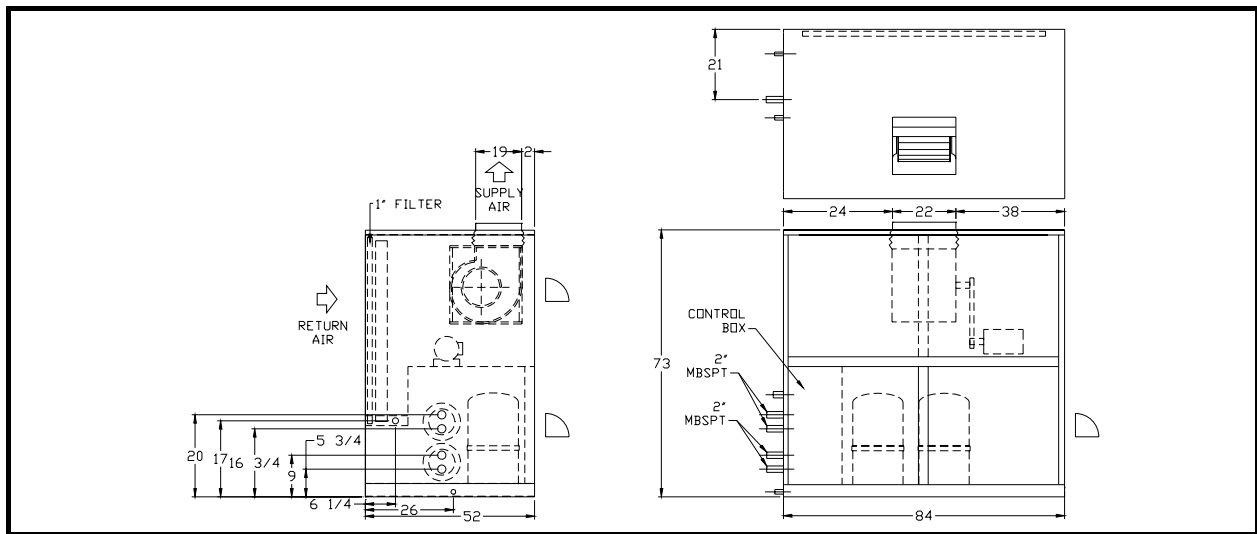
## 6WCPS 190B, 220B, 250B, 290B, 320B, 380B



NOTE: ALL DIMENSIONAL ARE IN INCHES.

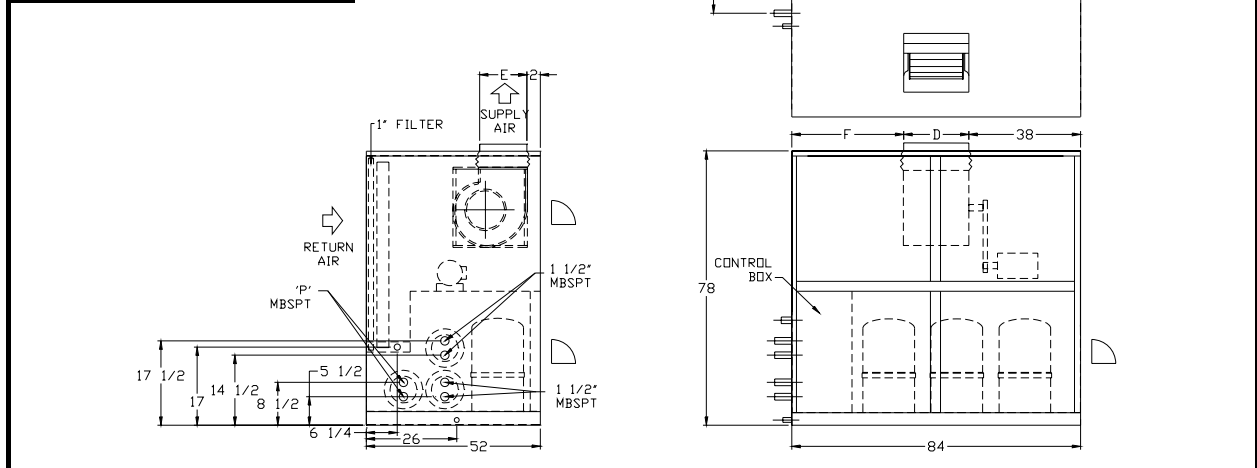
# DIMENSIONAL DATA

## 6WCPS 435B

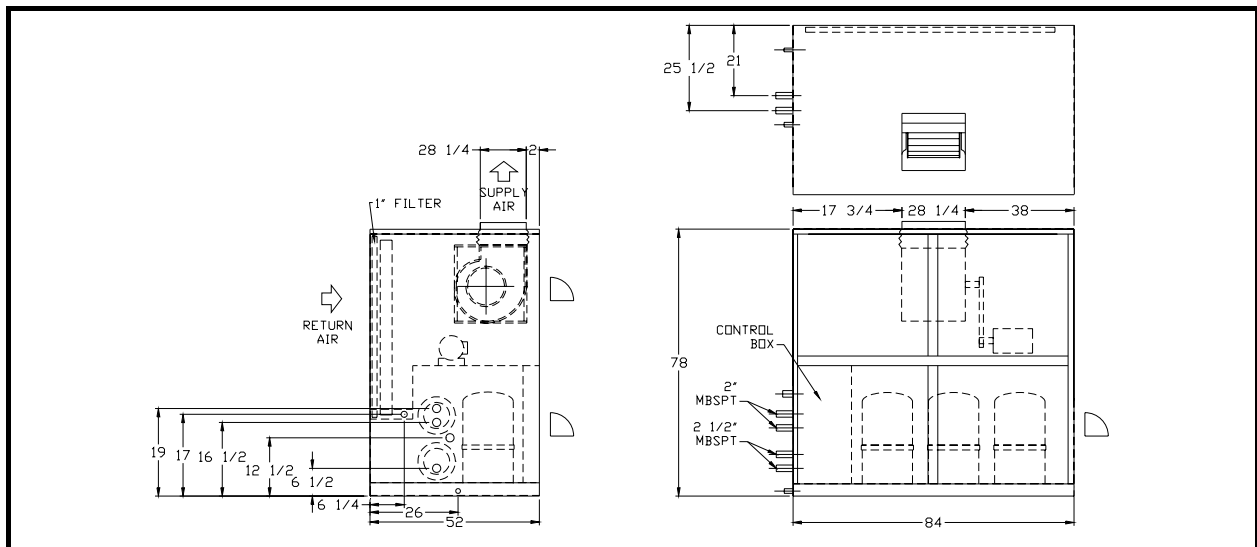


## 6WCPS 480B, 510B

MODEL	D	E	F	P
6WCPS 480B	25 1/4	25 1/4	20 3/4	2
6WCPS 510B	28 1/4	28 1/4	17 3/4	1 1/2



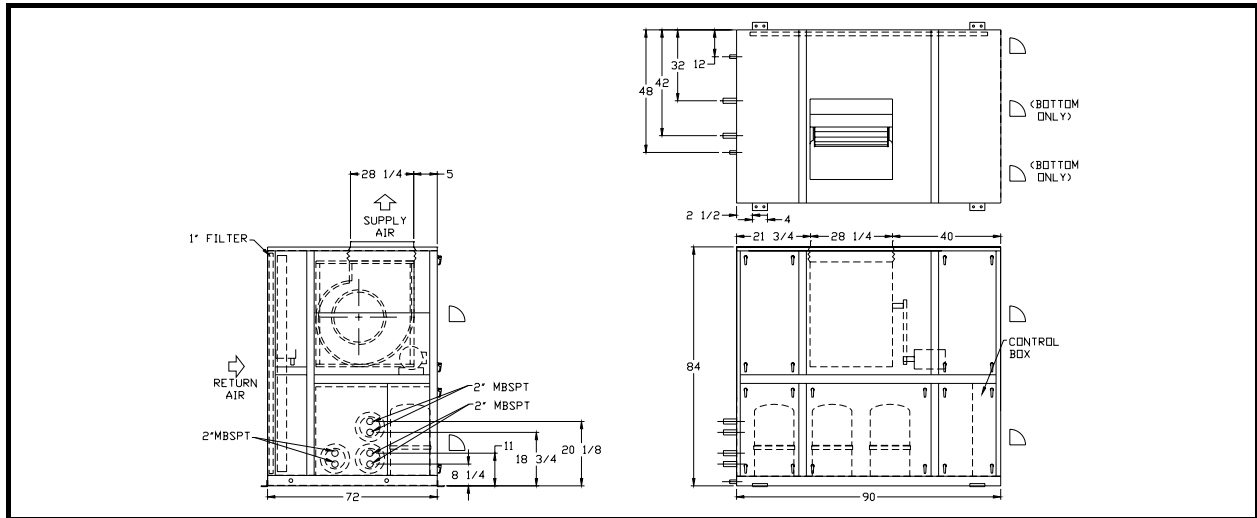
## 6WCPS 570B



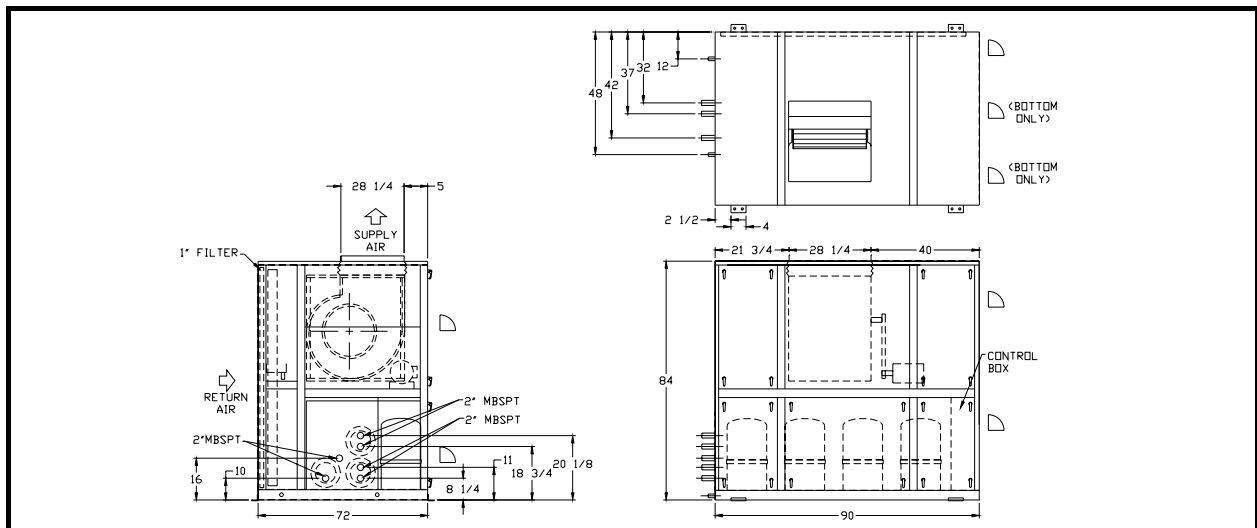
NOTE: ALL DIMENSIONAL ARE IN INCHES.

# DIMENSIONAL DATA

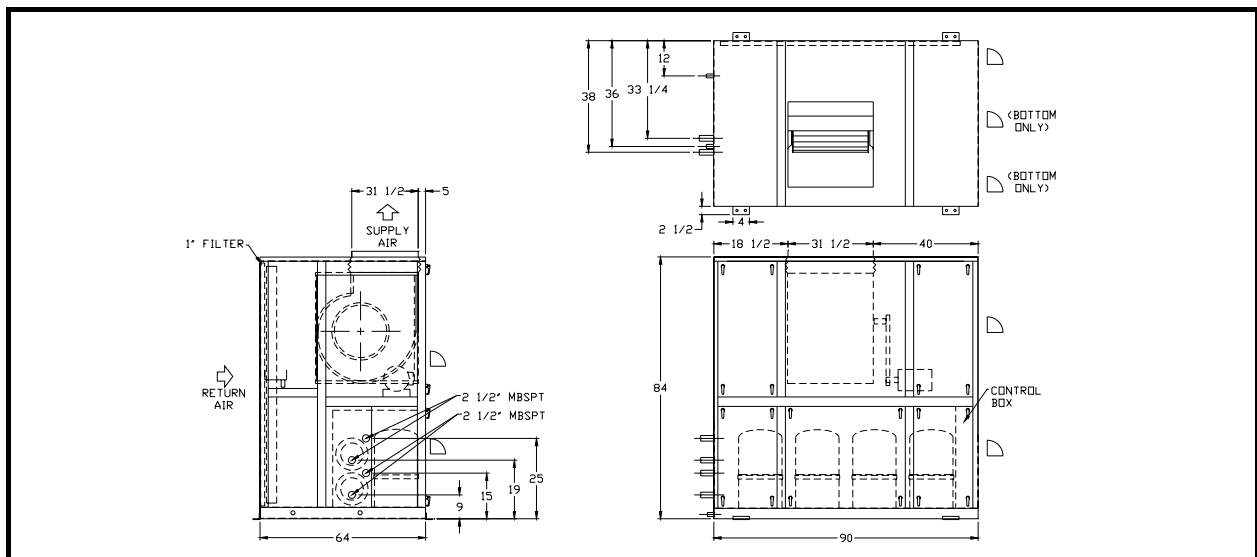
## 6WCPS 640B



## 6WCPS 700B



## 6WCPS 760B

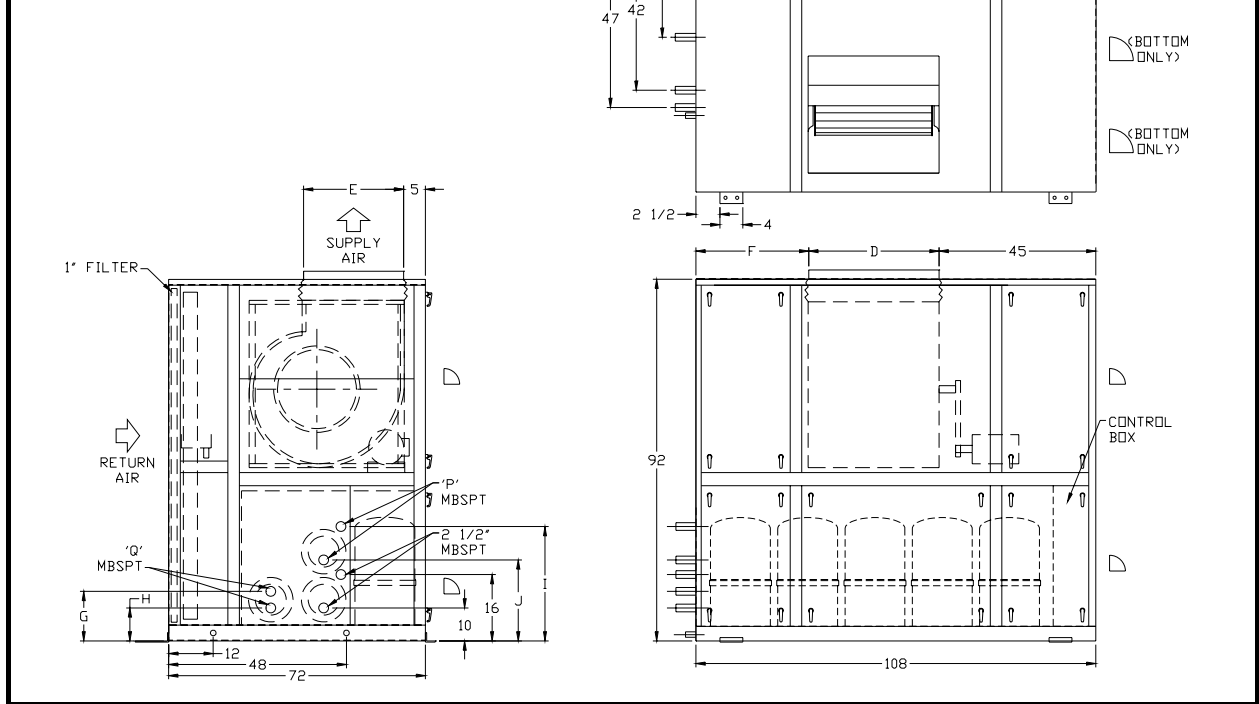


NOTE: ALL DIMENSIONAL ARE IN INCHES.

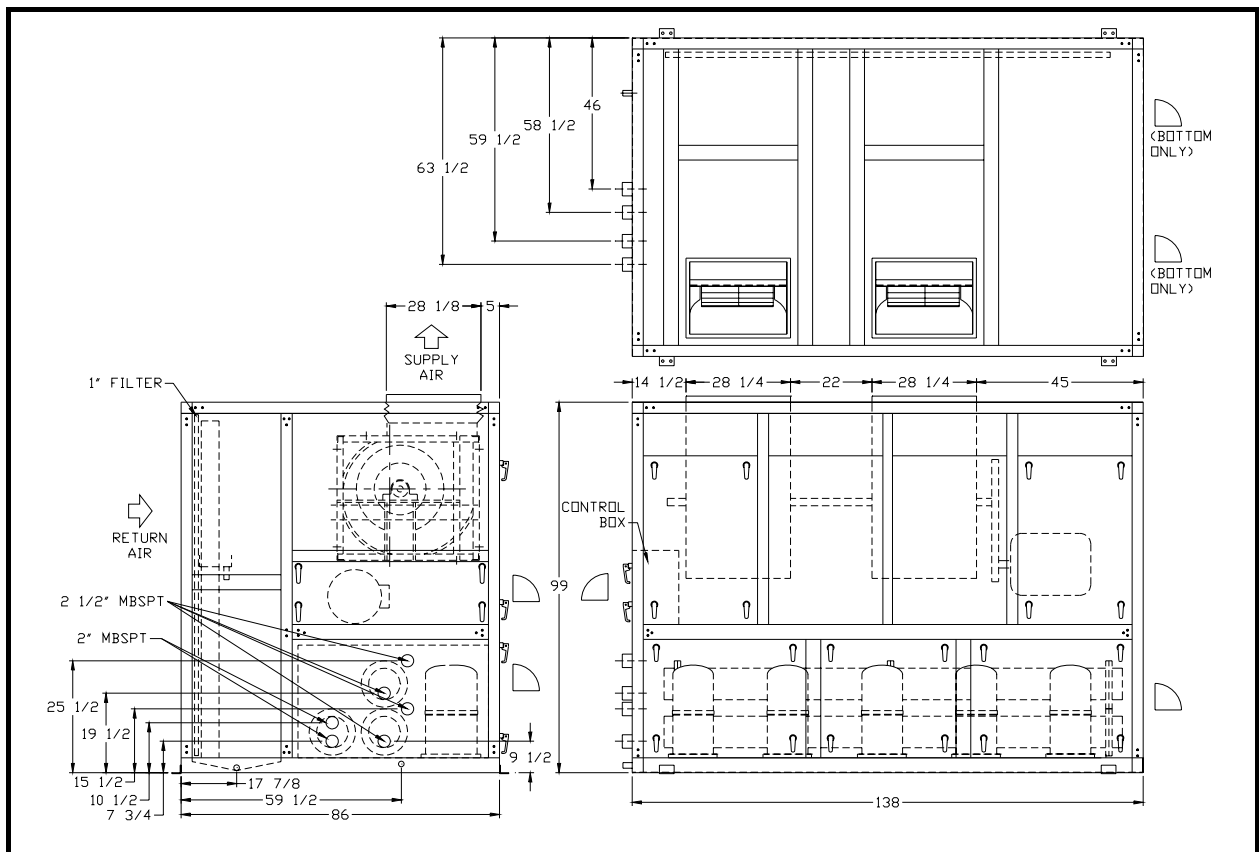
# DIMENSIONAL DATA

## 6WCPS 800B, 860B, 950B

MODEL	D	E	F	G	H	I	J	P	Q
6WCPS 800B	31 1/2	31 1/2	31 1/2	11	8 1/4	22 1/8	19 3/8	2	2
6WCPS 860B	35 1/2	35 1/2	27 1/2	11	8 1/4	22 1/8	19 3/8	2	2
6WCPS 950B	35 1/2	35 1/2	27 1/2	11 1/4	9	26	20	2 1/2	1 1/2



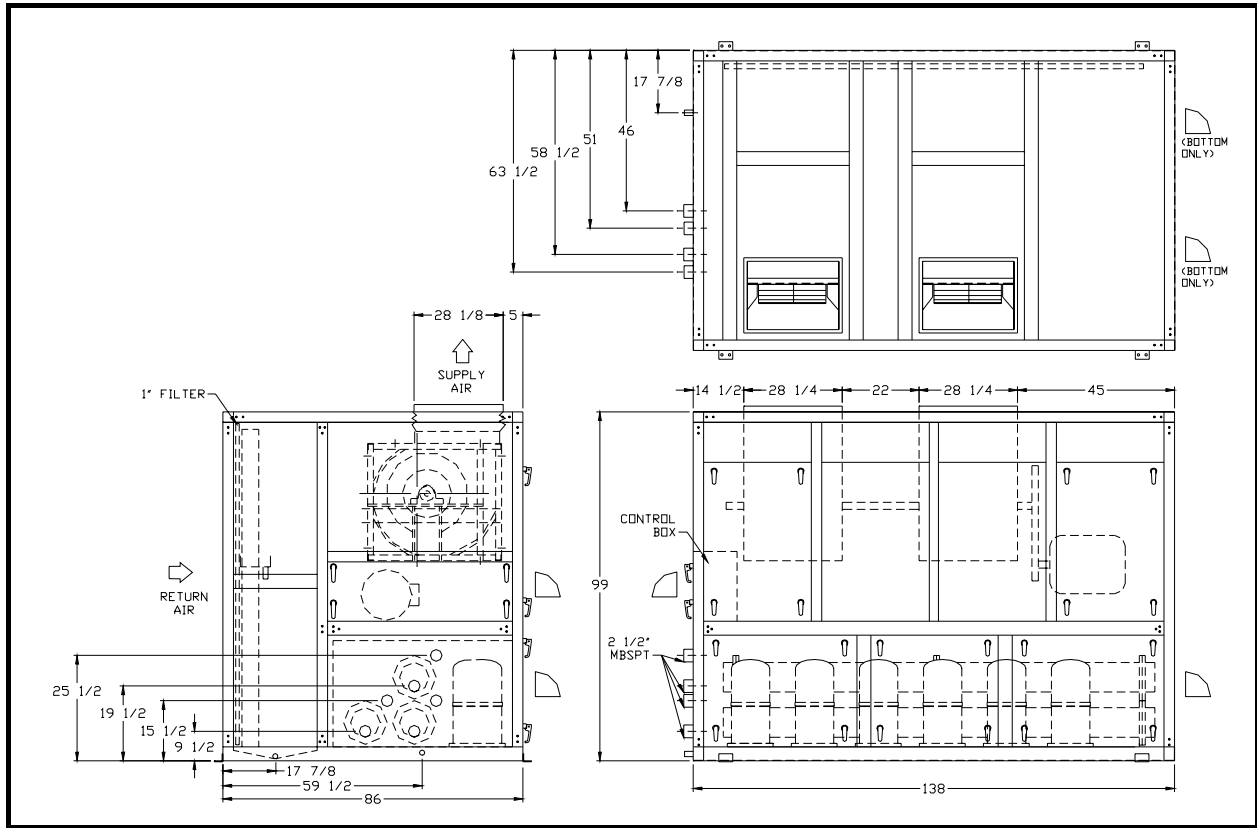
## 6WCPS 1140B



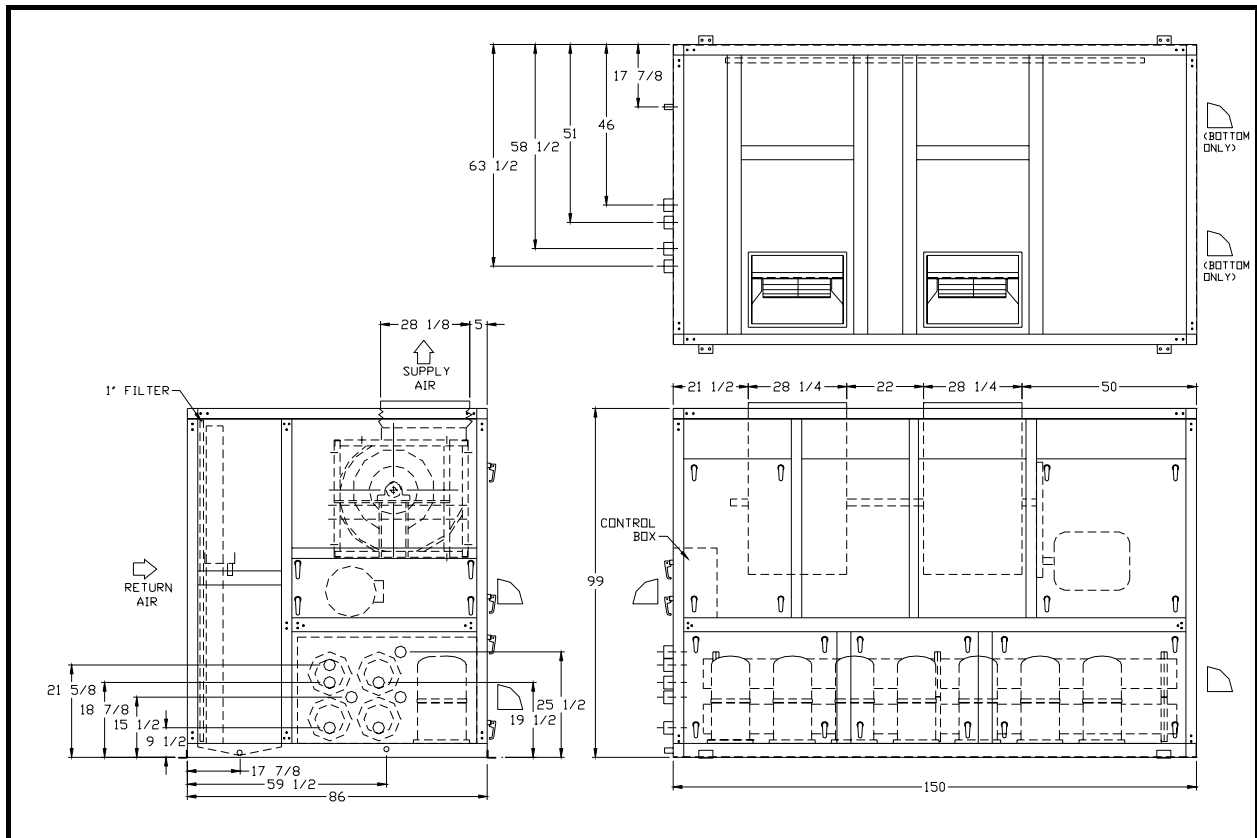
NOTE: ALL DIMENSIONAL ARE IN INCHES.

# DIMENSIONAL DATA

## 6WCPS 1340B



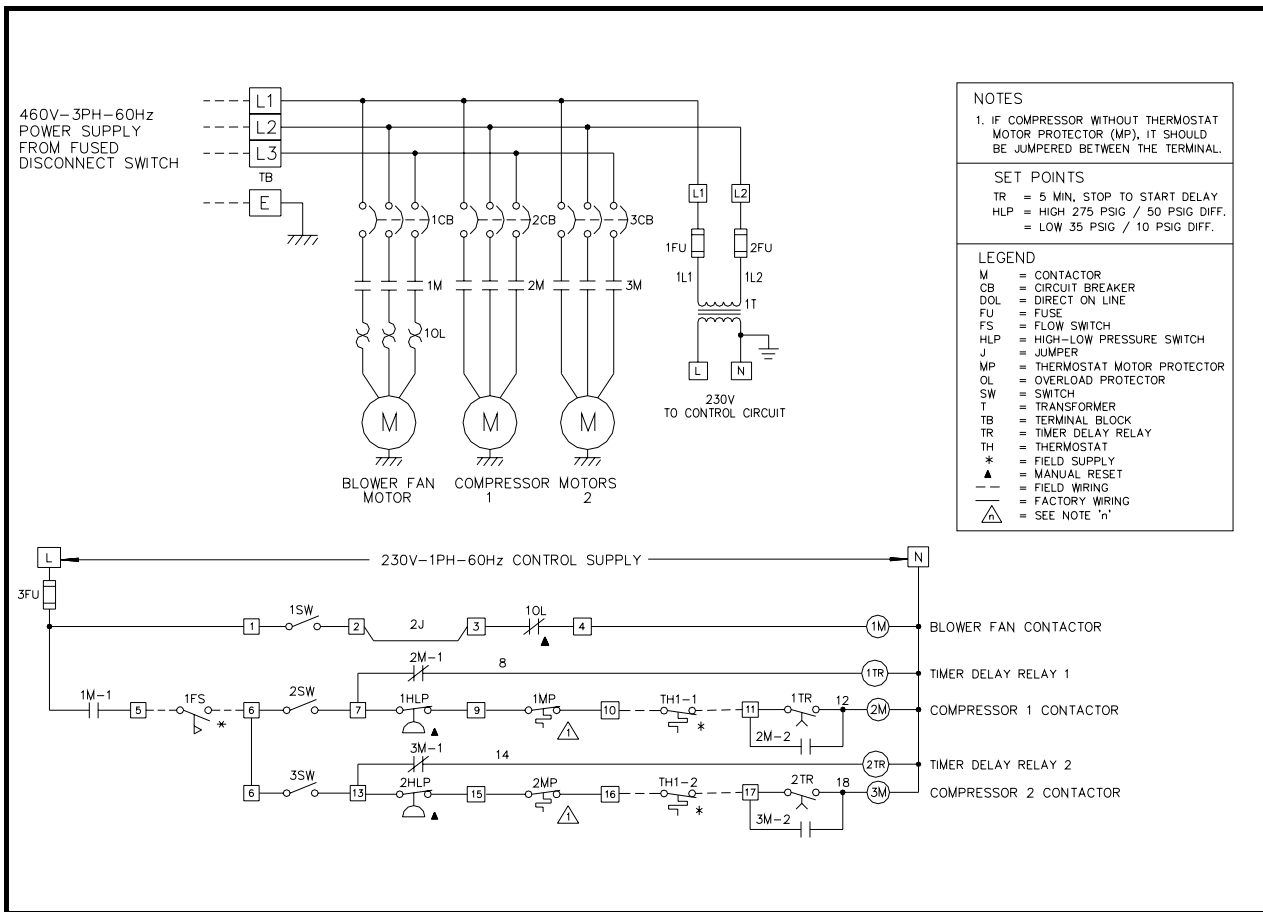
## 6WCPS 1520B



NOTE: ALL DIMENSIONAL ARE IN INCHES.

# ELECTRICAL

## TYPICAL WIRING DIAGRAM



## CORRECTION FACTORS

To correct for variation in air flow, use this multiplier.

AIR FLOW VARIATION	TOTAL CAPACITY	SENSIBLE CAPACITY
0.8	0.960	0.900
0.9	0.980	0.950
1.0	1.000	1.000
1.1	1.015	1.045
1.2	1.025	1.090

To correct for altitude, use this multiplier.

ALTITUDE ABOVE SEA LEVEL - FT	COOLING CAPACITY
0	1.00
2000	0.98
3000	0.97
4000	0.96
5000	0.95
6000	0.93
7000	0.92

To correct sensible capacity for varying dry bulb.

DRY BULB	WET BULB			
	57	62	67	72
75	0.84	0.81	0.78	0.74
80	1.00	1.00	1.00	1.00
85	1.16	1.18	1.21	1.26

NOTE: IF THE CAPACITY AFTER MULTIPLYING THE SENSIBLE WITH THE CORRECTION FACTOR EXCEED THE TOTAL CAPACITY, THEN THE SENSIBLE MUST BE EQUAL TO THE TOTAL.



## **Americas**

### **United States of America**

175 South Street,  
West Hartford,  
CT 06110, USA

Tel: 1-860-249 8671  
Fax: 1-860-953 3300

## **Europe**

### **United Kingdom**

8 Downley Road,  
Havant, Hampshire,  
England PO9 2JD

Tel: 44-23-9247 7700  
Fax: 44-23-9245 0396

## **Africa**

### **South Africa**

No. 57 Sovereign Drive  
Route 21 Corporate Park  
Irene, Pretoria  
South Africa

Tel: 27-12-345 4202  
Fax: 27-12-345 4203

## **China**

No. 1 Dunham-Bush Road,  
Laishan District,  
Yantai,  
Shandong Province,  
China 264003

Tel: 86-535-658 8999  
Fax: 86-535-658 1999

## **Asia**

### **Singapore**

2, Kallang Pudding Road #07-07,  
Mactech Industrial Building,  
Singapore 349307

Tel: 65-6842 2012  
Fax: 65-6842 2013

## **Middle East & North Africa**

### **United Arab Emirates**

Al Murad Tower, Office 506  
Al-Barsha 1,  
P. O. Box # 30922,  
Dubai, UAE

Tel: 971-4-451 9899  
Fax: 971-4-451 9881

## **Russia & CIS**

### **Russia**

Lot 11, Novinskiy Boulevard,  
Moscow,  
121099 Russian Federation

Tel: 7-499-255 6953  
Fax: 7-499-255 6953

## **Malaysia**

Lot 5755-6, Kidamai Industrial Park,  
Bukit Angkat,  
43000 Kajang,  
Selangor Darul Ehsan,  
Malaysia

Tel: 603-8924 9000  
Fax: 603-8739 5020

**DUNHAM-BUSH**

info@dunham-bush.com  
www.dunham-bush.com

Products that perform...By people who care