



BLUE RIBBON X-TEMP TRANSMITTER

MODEL BRXT

FEATURES:

- Explosion Proof
- Temperature Ranges: -200–500 °C, 0–750 °C, 0–1200 °C, 0–1300 °C and 0–1600 °C
- 4-20 mA with HART output
- 0.5% or 0.25% FSO accuracy
- $\pm 2.0\%$ FSO/100 °C
- Probe lengths from 2" to 15" (50 mm to 381 mm)
- Rugged welded design for harsh environments
- Easy to read 4 digit LCD display

APPLICATIONS:

- Oil and Gas
- Chemical industries
- Automotive test stand
- Power generation

PRODUCT OVERVIEW:

Blue Ribbon BRXT is an economical Explosion proof Smart temperature transmitter for applications where reliable and accurate process temperatures are required. With a broad selection of process ports, probe lengths and temperature ranges, the model BRXT is adaptable to most processes and provides the convenience of a local digital indicator.

FIELD OPTIONS:

- Zero Span adjust
- Probe length 2" to 15" (50 mm to 381 mm)
- Self-diagnosis functions



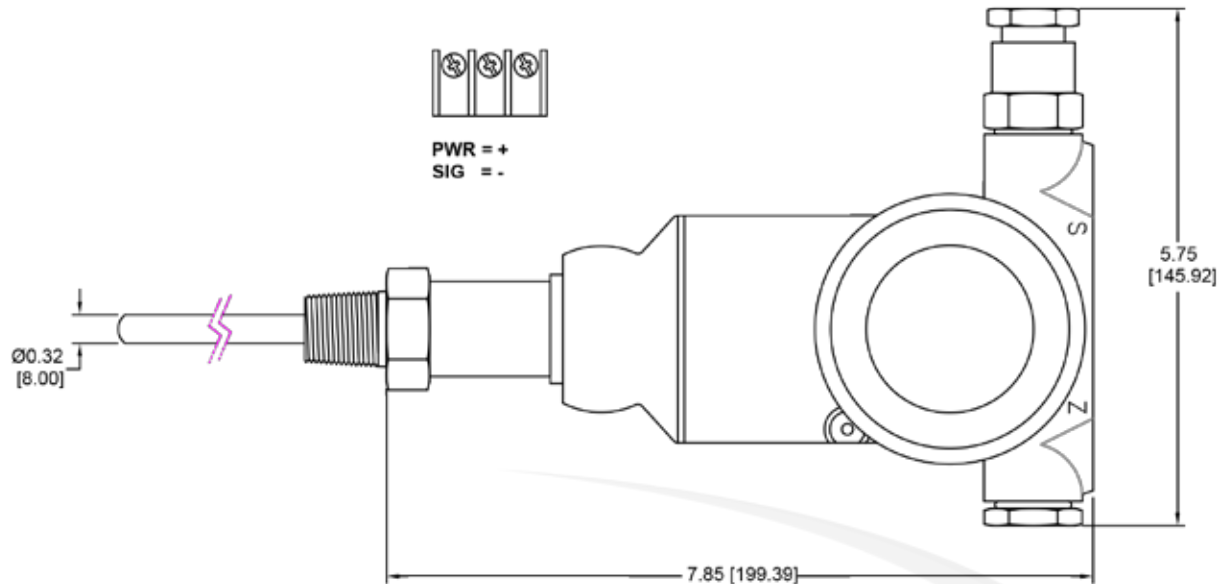
Model BRXT
Blue Ribbon X-Temp Transmitter



BLUE RIBBON X-TEMP TRANSMITTER

DIMENSIONAL DRAWING

All dimensions are in inches (mm)



REFERENCE SPECIFICATIONS

TEMPERATURE RANGES	MECHANICAL
<ul style="list-style-type: none"> • Thermocouple: 0–750 °C, 0–1200 °C, 0–1300 °C and 0–1600 °C • Thermistor: -200 °C to 500 °C (-328 °F to 932 °F) • Operating Temperature Range: -20 °C to 60 °C (-4 °F to 140 °F) 	<ul style="list-style-type: none"> • Probe Length: 50mm to 381mm (2" to 15") • Electrical Connection: 1/2NPT or M20×1.5 (F) • Process Connection: M27×2 (M) standard (other options available contact factory) • 4-digit LCD display in degrees C • Wetted Parts: 316 Stainless Steel • Housing: Cast aluminum
STATIC ACCURACY (HYSTERESIS, NON-LINEARITY & REPEATABILITY @ +70 °F)	APPROVALS
0.5% FSO or 0.25% FSO • Temperature Effects on Zero and Span: 0.20% FSO/10°C	Explosion Proof: Exia II BT4, Exd II BT4
ELECTRICAL	
<ul style="list-style-type: none"> • Excitation Voltage: 24Vdc + 2Vdc • Output: 4-20mA with HART • Insulation Resistance: 100MΩ at 50Vdc 	

All specifications are for reference purposes only. In the interests of continuous product improvement, all specifications are subject to change without notice. Please contact Blue Ribbon Corporation for assistance with your application.

