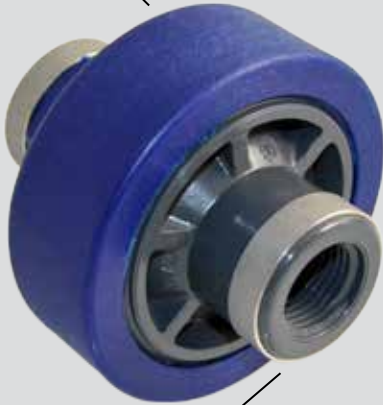




PVC DIAPHRAGM SEAL

Provision for fill port
and SS band



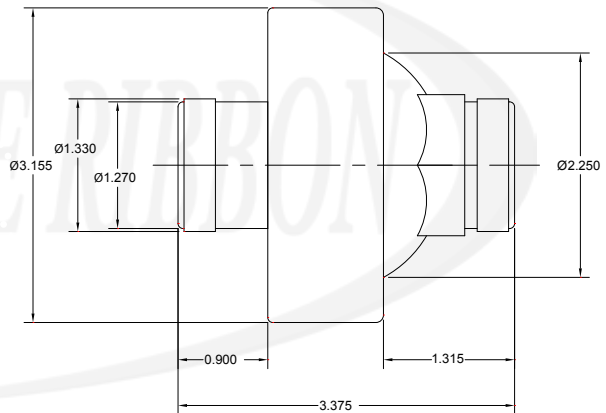
Stainless Steel Band -
Prevents splitting when
installing.

Series 3000

SERIES 3000

FEATURES:

The Series 3000 from Blue Ribbon Corporation is a Teflon diaphragm seal or isolation device with PVC construction, used to provide economical protection of pressure sensing instrumentation from measured media. This Series is particularly useful for the economical protection of instrumentation from corrosion and clogging, and offers an option for application where some materials may be limited by corrosion.



DIAPHRAGM SEALS
PVC/TEFLON
3000 SERIES

SPECIFICATIONS:

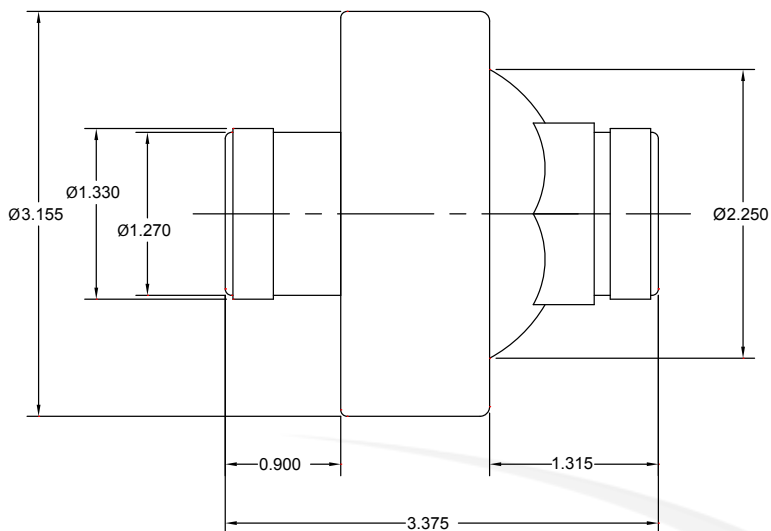
- **Housing:** PVC
- **Diaphragm:** Teflon
- **Operating Pressure:** Vacuum to 200 PSI
- **Instrument Connection:** 1/4" NPT
- **Process Connection:** 1/4" and 1/2" NPT
- **Process Temperature:** +77 °F to +104 °F)

BR-D-3000	1/4" FNPT x 1/4" FNPT
BR-D-3001	1/4" FNPT x 1/2" FNPT

DIAPHRAGM SEAL

DIMENSIONAL DRAWING

All dimensions are in inches (mm)



DIAPHRAGM SEALS PVC/TEFLON 3000 SERIES

ORDERING GUIDE

Example: BR102D158C

BR102	D	15	8	C
Model Number		Dial Size	Connector Size	Pressure Range
Fill Type		1.5" - 15	8 - 1/8" NPT	See chart on page 1
D - dry, non-filled		2.0" - 20	4 - 1/4" NPT	
		2.5" - 25		

All specifications are for reference purposes only. In the interests of continuous product improvement, all specifications are subject to change without notice. Please contact Blue Ribbon Corporation for assistance with your application.

