



Air Conditioning & Heating

DSXC18

COOLING CAPACITY : 35,000 - 57,000 BTU/H

HIGH-EFFICIENCY SPLIT SYSTEM AIR CONDITIONER UP TO 18 SEER



Contents

Nomenclature	2
Product Specifications.....	3
Expanded Cooling Data	4
AHRI Ratings	16
Wiring Diagram	23
Dimensions	24
Accessories.....	24

Standard Features

- Two-Stage Copeland® UltraTech™ scroll compressor
- High-density foam compressor sound blanket
- ComfortNet™ Communications System compatible
- Expanded ComfortAlert™ diagnostics built in
- Set-up capable with two low-voltage wires to outdoor unit
- Two-speed, super-quiet ECM outdoor fan motor
- Diagnostic indicator lights and storage of six fault codes
- Color-coded terminal strip for non-communicating set-up
- High- and low-pressure switches
- Factory-installed filter drier
- Coil and ambient temperature sensors
- Sweat connection service valves with easy access to gauge ports
- AHRI Certified; ETL Listed

Cabinet Features

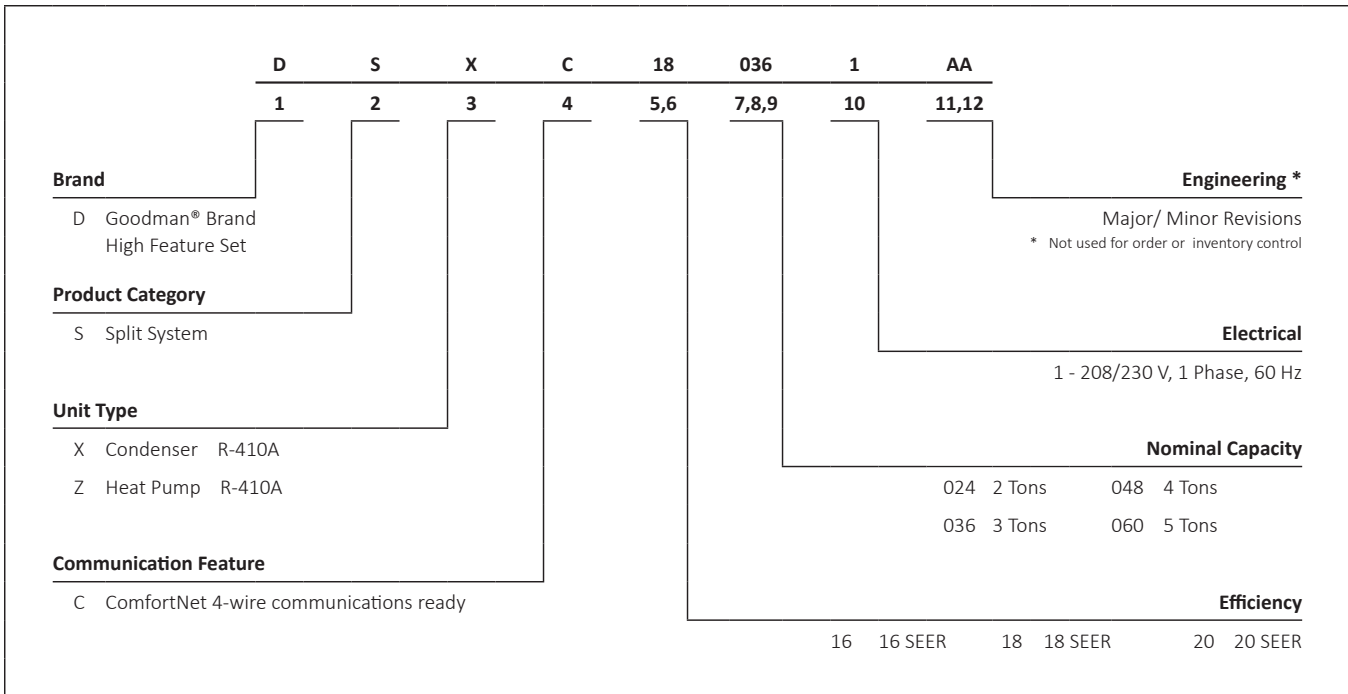
- Heavy-gauge galvanized-steel cabinet with sound control top
- Baked-on powder-paint finish with 500-hour salt-spray approval
- Wire fan discharge grille
- Steel louver coil guard
- Top and side maintenance access
- Single-panel access to controls with space provided for field-installed accessories
- When properly anchored, meets the 2010 Florida Building Code unit integrity requirements for hurricane-type winds (Anchor bracket kits available.)





Proper sizing and installation of equipment is critical to achieving optimal performance. Split system air conditioners and heat pumps must be matched with appropriate coil components to meet ENERGY STAR® criteria. Ask your contractor for details or visit www.energystar.gov.



* Complete warranty details available from your local dealer or at www.goodmanmfg.com. To receive the Lifetime Compressor Limited Warranty (good for as long as you own your home), 10-Year Unit Replacement Limited Warranty and 10-Year Parts Limited Warranty, online registration must be completed within 60 days of installation. Online registration is not required in California or Québec.



	DSXC18 0361A	DSXC18 0481A	DSXC18 0601A
COOLING CAPACITY			
Nominal Cooling (BTU/h)	35,000	47,000	57,000
Decibels	71	72	74
COMPRESSOR			
RLA	15.3	21.2	27.1
LRA	83	104	152.9
CONDENSER FAN MOTOR			
Horsepower (RPM)	½	½	½
FLA	2.80	2.80	2.80
REFRIGERATION SYSTEM			
Refrigerant Line Size ¹			
Liquid Line Size ("O.D.)	¾"	¾"	¾"
Suction Line Size ("O.D.)	7/8"	1 1/8"	1 1/8"
Refrigerant Connection Size			
Liquid Valve Size ("O.D.)	¾"	¾"	¾"
Suction Valve Size ("O.D.)	7/8"	7/8"	7/8"
Valve Connection Type	Sweat	Sweat	Sweat
Refrigerant Charge	184	259	259
Expansion Device	TXV	TXV	TXV
Superheat at Service Valve	7-9°F	7-9°F	7-9°F
Subcooling at Service Valve	5-7°F	5-7°F	5-7°F
ELECTRICAL DATA			
Voltage-Phase-Hz	208/230-1-60	208/230-1-60	208/230-1-60
Minimum Circuit Ampacity ¹	21.9	29.3	36.7
Max. Overcurrent Protection ²	35	50	60
Min / Max Volts	197 / 253	197 / 253	197 / 253
Electrical Conduit Size	½" or ¾"	½" or ¾"	½" or ¾"
EQUIPMENT WEIGHT (LBS)	206	268	274
SHIP WEIGHT (LBS)	228	290	296
ENERGY STAR® CERTIFIED ^			NO

^ ENERGY STAR NOTES

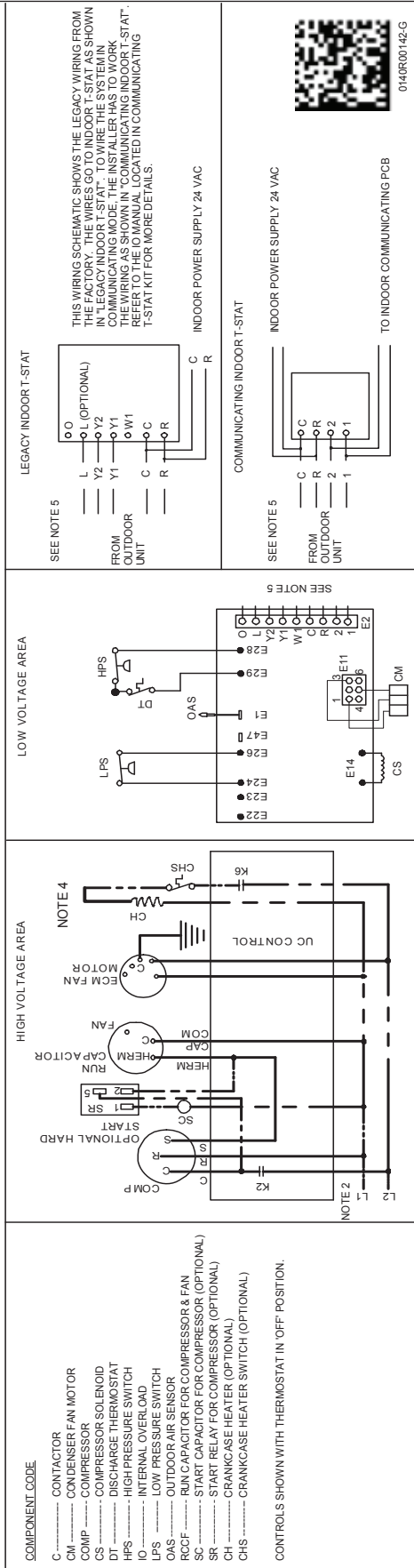
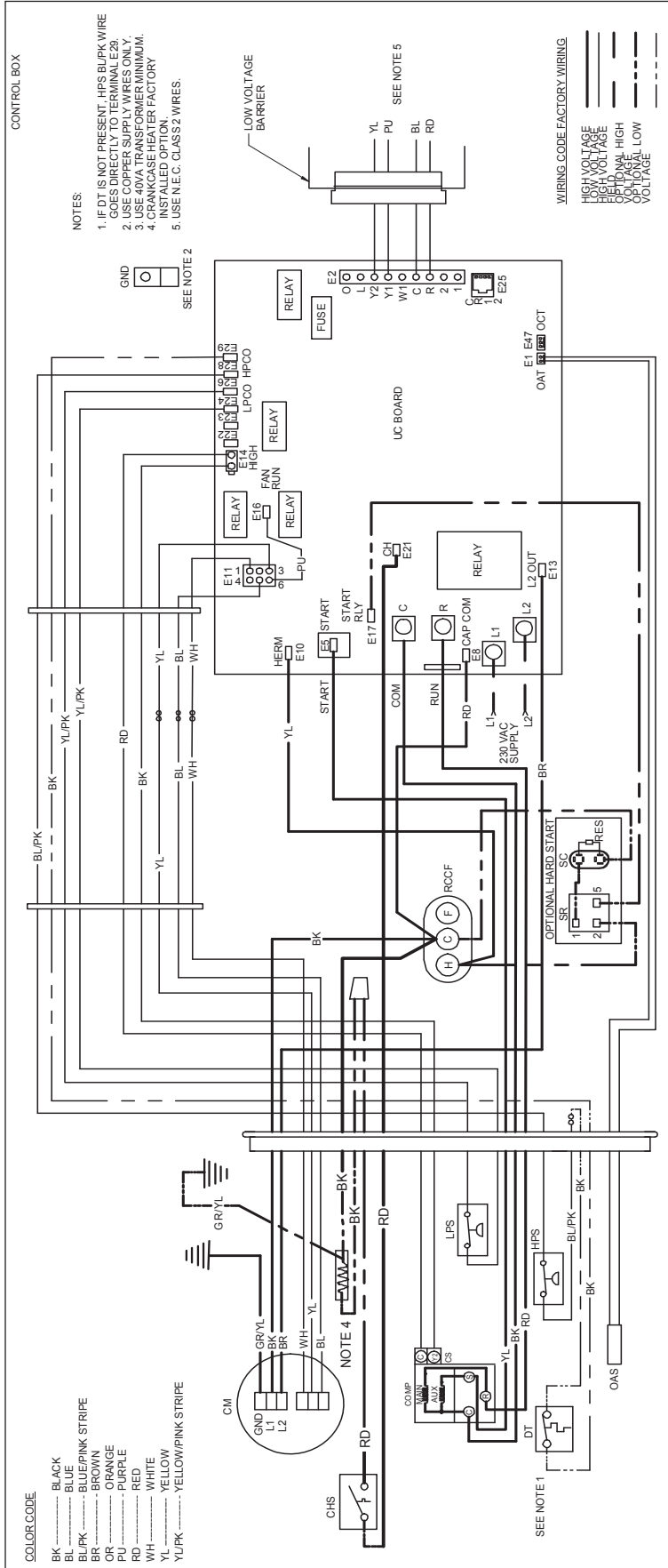
- Proper sizing and installation of equipment is critical to achieving optimal performance. Split system air conditioners and heat pumps must be matched with appropriate coil components to meet ENERGY STAR criteria. Ask your contractor for details or visit www.energystar.gov.
- The www.energystar.gov website provides up-to-date system combinations certified to meet ENERGY STAR requirements.
- See Page 16 for all ENERGY STAR certified combinations as of this document's revision date.

¹ Wire size should be determined in accordance with National Electrical Codes; extensive wire runs will require larger wire sizes

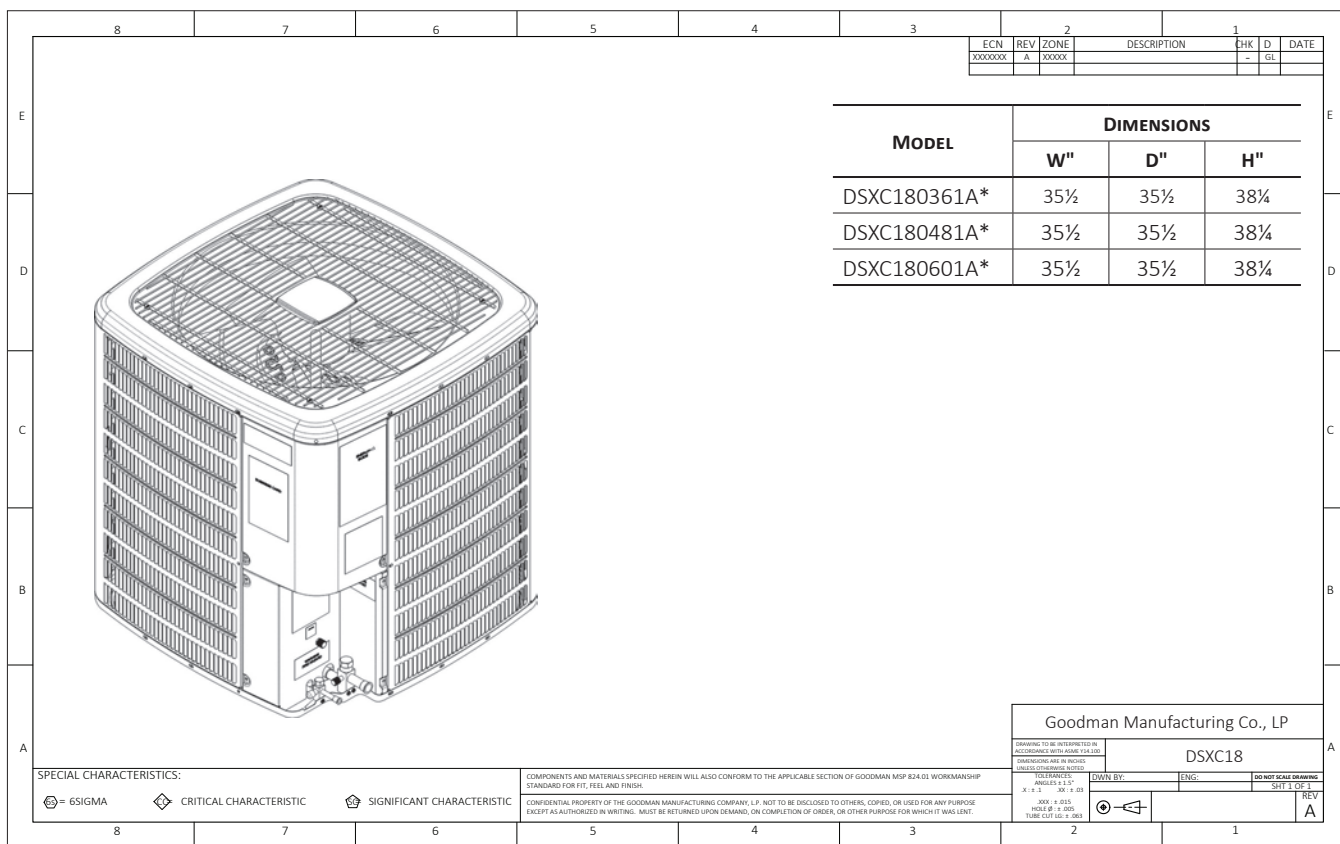
² Must use time-delay fuses or HACR-type circuit breakers of the same size as noted.

NOTES

- Always check the S&R plate for electrical data on the unit being installed.
- Installer will need to supply ¾" to 1 1/8" adapters for suction line connections.
- Unit is charged with refrigerant for 15' of ¾" liquid line. System charge must be adjusted per Installation Instructions Final Charge Procedure.
- Installation of these units that require a TXV Kit to be installed on the indoor coil.
- PLEASE NOTE: the specified TXV is determined by the outdoor unit, not the indoor coil.



DIMENSIONS



ACCESSORIES

MODEL	DESCRIPTION	DSXC18 036**	DSXC18 048**	DSXC18 060**
ABK-20	Anchor Bracket Kit ⁰	X	X	X
ASC-01	Anti-Short Cycle Kit	X	X	X
B1141643 ¹	24V Transformer	X	X	X
CSR-U-1	Hard-start Kit	X	X	
CSR-U-2	Hard-start Kit			
CSR-U-3	Hard-start Kit			X
FSK01A ²	Freeze Protection Kit	X	X	X
LSK02A	Liquid Line Solenoid Valve	X	X	X
OT18-60A ³	Outdoor Thermostat/Lockout Thermostat	X	X	X
TX3N4 ⁴	TXV Kit	X		
TX5N4	TXV Kit		X	X

⁰ Contains 20 brackets; four brackets needed to anchor unit to pad

¹ This component is included in the CTK01AA communicating thermostat kit.

² Installed on indoor coil

³ Available in 24V legacy mode only. This feature is integrated in the communicating mode.

⁴ Condensing units and heat pumps with reciprocating compressors require the use of start-assist components when used in conjunction with an indoor coil using a non-bleed thermal expansion valve refrigerant metering device or liquid line solenoid kit. The TXV should always be sized based on the tonnage of the outdoor unit.