



## DIAPHRAGM SEAL

### SERIES 4000

#### FEATURES:

The Series 4000 from Blue Ribbon Corporation are diaphragm seals or isolation devices used to provide economical protection of pressure sensing instrumentation from measured media. The Series is designed with a stainless steel diaphragm for small to medium instrumentation ranging from 30 to 2500 PSI. The Series 4000 provides ultimate protection for gauges and measuring instruments thru 4½" dial sizes in applications where space limitations are a concern.



Series 4000

#### TECHNICAL SPECIFICATIONS:

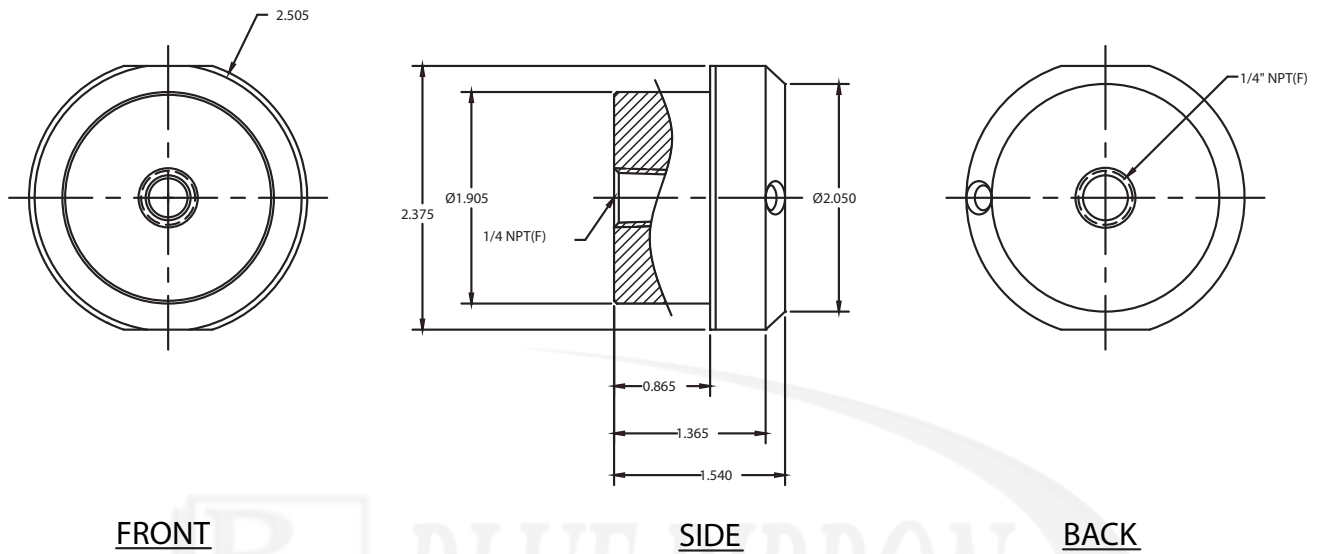
- **Housing:** 316 Stainless Steel
- **Diaphragm:** 316 Stainless Steel
- **Operating Pressure:** 30 to 2500 PSI
- **Instrument:** ¼" NPT
- **Process Connection:** ¼" NPT
- **Process Temperature:** -49 °F to +302 °F

Part #	Description
BR-D-4000	¼" NPT x ¼" NPT

# DIAPHRAGM SEAL

## DIMENSIONAL DRAWING

All dimensions are in inches (mm)



FRONT

SIDE

BACK

BR-D-4000  
316SS  
4000 SERIES

All specifications are for reference purposes only. In the interests of continuous product improvement, all specifications are subject to change without notice. Please contact Blue Ribbon Corporation for assistance with your application.

