



DIGITAL PRESSURE GAUGE

MODEL BR DG-11



Model BR DG-11
Digital Pressure Gauge

FEATURES:

- Simple two-button operation
- Zero reset button
- Auto restore for last pressure reading
- Back-lit LCD display
- Overload display function
- Vacuum, compound and absolute ranges
- 2x proof pressure, 5x burst pressure

SPECIFICATIONS:

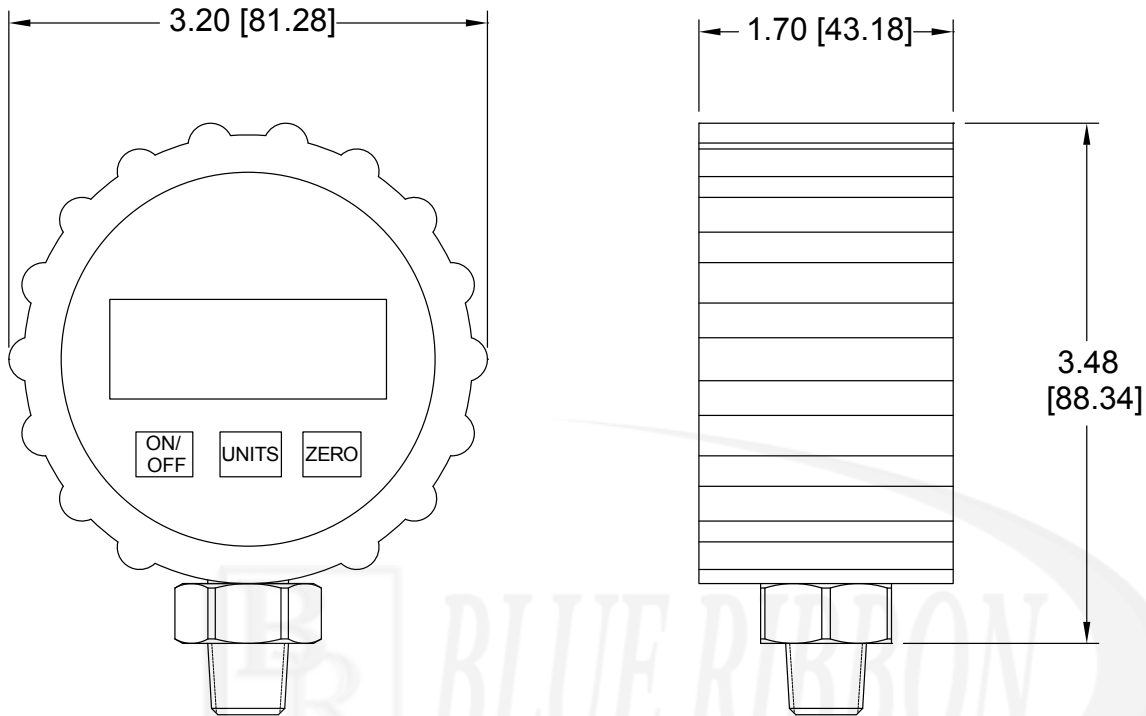
- 3" Dial (3.2" with rubber boot)
- 1.85" x 0.65" backlit LCD Display
- **Unit display:** PSI, BAR, Kg/cm²
(Calibration record provided in Pa, KPa, MPa)
- 1/4" NPT pressure port, SAE4, 1/8" NPT, optional 1/4" BSP
- Valox™ 420 case material, 17-4 PH stainless steel standard pressure port (alternate materials available)
- **Approximate weight:** 8 oz
- Optional USB, RS-485, RS-242 outputs
- Optional NIST traceable calibration
- **Accuracy:** ±0.5% FSO standard, includes linearity, hysteresis, and repeatability, 0.25% FSO and ±0.1% FSO optional
- **Thermal error:** 0.0001% FSO/ °F
- **Calibrated temperature range:** +35 °F to +130 °F
- **Operating temperature:** +15 °F to +140 °F
- **Storage temperature:** -5 °F to +160 °F
- **Power source:** 9V battery
- Automatic power off (5 minutes with LOW BATT indicator)
- Optional protective rubber boot
- NEMA 4/IP65 enclosure
- Optional oxygen cleaning

BR5SL-G-014
REV-A

DIGITAL PRESSURE GAUGE

DIMENSIONAL DRAWING

All dimensions are in inches (mm)



STANDARD RANGES (additional ranges upon request)		
-15 to 30 PSI	-15 to 50 PSI	-15 to 100 PSI
0 to 500 PSI	0 to 750 PSI	0 to 1000 PSI
0 to 2500 PSI	0 to 5000 PSI	0 to 7500 PSI
0 to 10,000 PSI	0 to 20,000 PSI	0 to 40,000 PSI

All specifications are for reference purposes only. In the interests of continuous product improvement, all specifications are subject to change without notice. Please contact Blue Ribbon Corporation for assistance with your application.

