



DUAL PRESSURE & TEMPERATURE AMMONIA GAUGE

MODEL BR700



Model BR701

FEATURES:

The Model BR700 Series from Blue Ribbon Corporation is a Dual Pressure and Temperature gauge, designed specifically for ammonia-based closed refrigeration systems.

SPECIFICATIONS:

- Dial Sizes: 2.5" and 4"
- 304 Stainless Steel Case and Ring
- Polycarbonate Lens
- 316 Stainless Steel Tube and Socket
- Bottom and Back 1/4" NPT Connection
- Movement: 304 Stainless Steel
- Pointer: Aluminum
- Ambient Process Temperature:
 - Dry: -40 °F to +150 °F
 - Liquid Filled: -4 °F to +150 °F
- Accuracy:
 - 2.5" Dial: 1.6% FS
 - 4" Dial: 1% FS
- Enclosure Rating: IP65

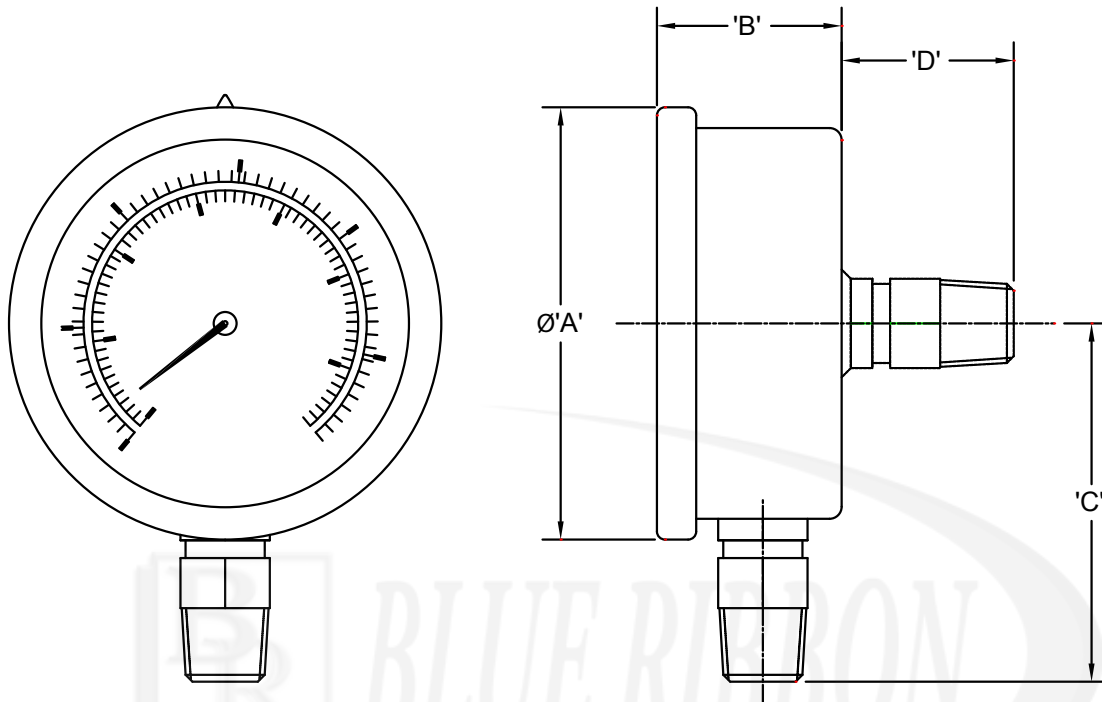
ORDERING GUIDE:

BOTTOM MOUNT		
Pressure Range	2.5" Dial	4" Dial
30" 0-150 PSI	BR701D-254CC	BR701D-404CC
30" 0-300 PSI	BR701D-254CF	BR701D-404CF
BACK MOUNT		
Pressure Range	2.5" Dial	4" Dial
30" 0-150 PSI	BR702D-254CC	BR702D-404CC
30" 0-300 PSI	BR702D-254CF	BR702D-404CF

DUAL PRESSURE & TEMPERATURE AMMONIA GAUGE

DIMENSIONAL DRAWING

All dimensions are in inches (mm)



BR700
DUAL TEMP/PRESSURE
AMMONIA GAUGE

DIAL SIZE	'A'	'B'	'C'	'D'
Ø2.50	2.675	1.16	1.00	1.22
Ø4.00	4.29	1.4	3.2	1.256

All specifications are for reference purposes only. In the interests of continuous product improvement, all specifications are subject to change without notice. Please contact Blue Ribbon Corporation for assistance with your application.