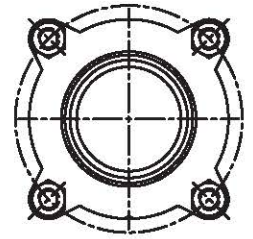
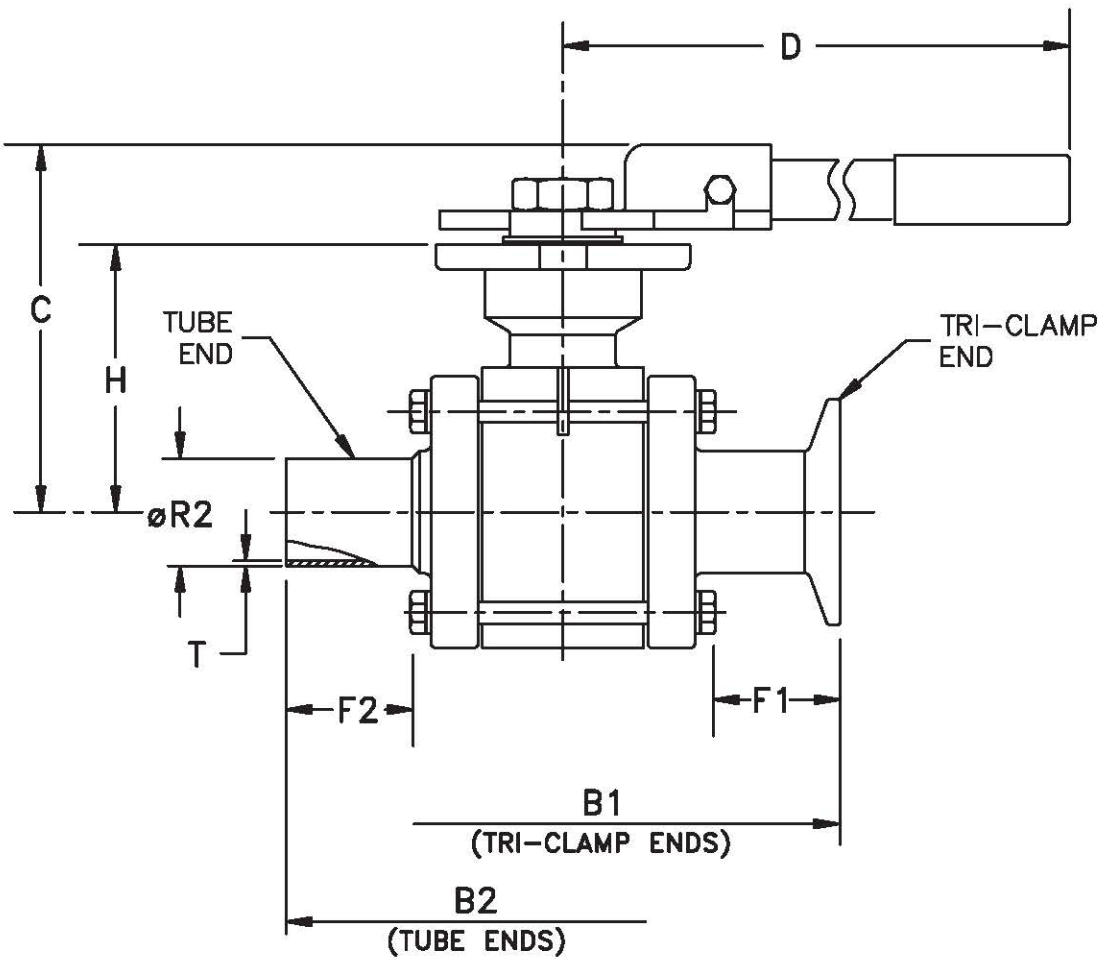
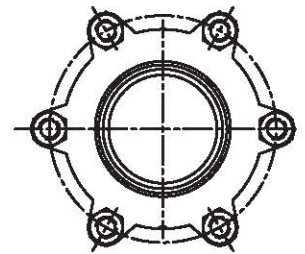


MK9020\_200-400

NO	DESCRIPTION	DATE	BY



2"-2-1/2"



3"~4"

SIZE	DIMENSIONS IN INCHES					C	D	H	T
	TRI-CLAMP ENDS		TUBE ENDS						
	B1	F1	B2	F2	R2				
2"	6.53	0.75	6.87	1.04	2.000±0.008	4.9	8.0	3.25	0.065
2 1/2"	8.00	0.72	8.75	1.30	2.500±0.010	5.8	14.3	4.25	0.065
3"	9.19	1.09	9.25	1.06	3.000±0.010	6.0	14.3	4.56	0.065
4"	10.23	1.16	10.21	1.15	4.000±0.015	7.7	15.7	6.10	0.083

TOL. UNLESS OTHERWISE NOTED (IN.)  
 VA. END-TO-END LENGTH: ±1/16"  
 OTHER VA. DIM.: ≤NPS 2", ±1/8"  
 NPS 2 1/2"~4", ±1/4"; >4", ±1/2"  
 VA.-ACT. ASSY & PIPING DIM.: ±1/2"

2.0"-4.0"			
<b>MARK9020</b>			
2-WAY SANITARY BV W/HANDLE (BPE)			
REF.	SCALE	-	DATE
	DR. BY	DW	4/05/11
	CHK. BY	KEVIN CARTER	

**STERIFLOW**  
 a division of Jordan Valve  
 CINCINNATI, OHIO U.S.A.  
[www.steriflowvalve.com](http://www.steriflowvalve.com)

MK9020\_200-400