



LOW-COST OEM PRESSURE TRANSDUCER

MODEL BR1002/1003



Model BR1002/1003
Low-Cost OEM Pressure Transducer

FEATURES:

- Low-cost, high reliability
- Up to 0.20% FSO accuracy
- Compact 0.870" diameter
- Rugged, all welded construction
- NEMA - 4X/IP65 rated
- CE Approved: EN 50 081-1

APPLICATIONS:

- Automotive
- Industrial OEM
- On-board vehicle
- Compressor controls
- Pneumatic/hydraulic controls
- Pump controls

PRODUCT OVERVIEW:

The Model1002/1003 from Blue Ribbon is a line of compact, rugged, all stainless steel, industrial grade OEM pressure transducers designed for high volume applications requiring an accurate, low cost pressure measurement solution. Available with a comprehensive selection of pressure ports and electrical connections.

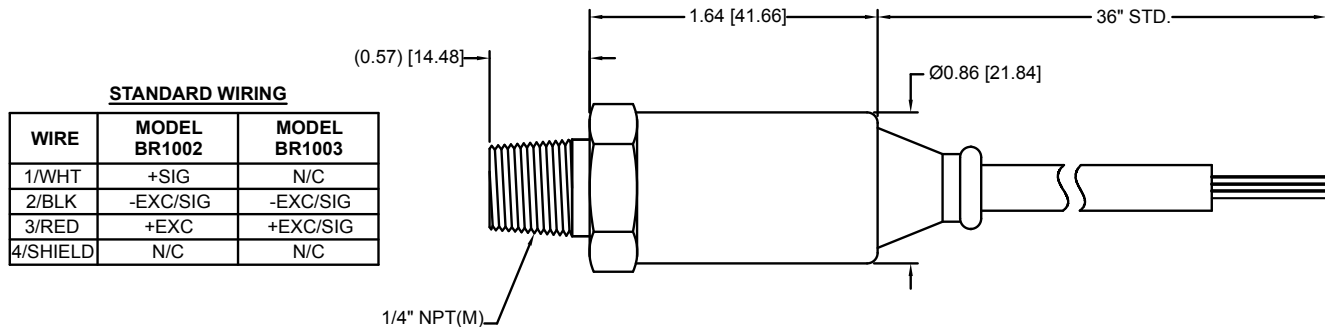
FIELD OPTIONS:

- Vdc & 4-20 mA output
- Alternate connectors & pressure ports

LOW-COST OEM PRESSURE TRANSDUCER

DIMENSIONAL DRAWING

All dimensions are in inches (mm)



REFERENCE SPECIFICATIONS

<p>ELECTRICAL</p> <ul style="list-style-type: none"> • Supply Voltage: 9 to 36 Vdc • Output Signal: (1002) 0 to 5 Vdc, 0 to 10 Vdc optional (1003) 4-20 mA • Load Resistance: 3.5 mA nominal 6 mA max. • Approvals: CE EN 50 081-1 • Response Time: <5 ms • Connection: 36" long Belden 8723, 24 AWG, 4 conductor cable 	<p>MECHANICAL</p> <ul style="list-style-type: none"> • Process Connection: 1/4" NPT (M) standard (other options available) • Proof Pressure: 1.5X FSO • Burst Pressure: 3X FSO or 17,500 PSIG (1,207 BAR), whichever is less • Weight: <4 oz (113 g)
<p>STATIC ACCURACY (BFSL) (HYSTERESIS, NON-LINEARITY & REPEATABILITY @ +70 °F)</p> <p>Standard: ±0.5% FSO Improved: ±0.2% FSO</p>	<p>PRESSURE RANGES</p> <ul style="list-style-type: none"> • 0 to 5 thru 0 to 10K PSI (0.3 thru 689 BAR), gauge, vacuum, and absolute pressure reference available
<p>MATERIALS OF CONSTRUCTION</p> <ul style="list-style-type: none"> • Wetted Parts: 316 stainless steel and 17-4 stainless steel • Housing: 316 stainless steel 	<p>THERMAL SPECIFICATIONS</p> <ul style="list-style-type: none"> • Compensated: 0 °F to +180 °F (-17.7 °C to +82 °C) • Operating Temperature: -40 °F to +180 °F (-40 °C to +82 °C) • Storage: -40 °F to +250 °F (-40 °C to +121 °C) • Effect on Zero/Span: < ±2.0% FSO/100 °F

All specifications are for reference purposes only. In the interests of continuous product improvement, all specifications are subject to change without notice. Please contact Blue Ribbon Corporation for assistance with your application.

