



PUMP CONTROLLER

MODEL BD300

OVERVIEW:

The Model BD300 Pump Controller is designed exclusively for use with the Blue Ribbon Birdcage® submersible level transmitter to provide multiple pump alternation for pumping stations and water municipalities. Featuring four programmable relay switches, a large 6 digit LED dual display, AC or DC power input, and digital communication options, the BD300 is suited for the most demanding environments.



Models BD300
Pump Controller



FEATURES:

- 0-20 mA, 4-20 mA, 0-5 V, 1-5 V, and $\pm 10V$ Inputs
- Large Dual-Line 6-Digit Display, 0.60" & 0.46"
- NEMA 4X, IP65 Front
- Universal 85-265 VAC, or 12/24 VDC Input Power Models
- Programmable Display & Function Keys
- 32-Point, Square Root, or Exponential Linearization
- Multi-Pump Alternation Control
- USB, RS-232, RS-485 Serial Communication Options
- Modbus® RTU Communication Protocol Standard
- Free BULLDOG Pro Software for Operation, Monitoring, and Programming
- Standard 1/8 DIN (45mm x 92mm)

FIELD OPTIONS:

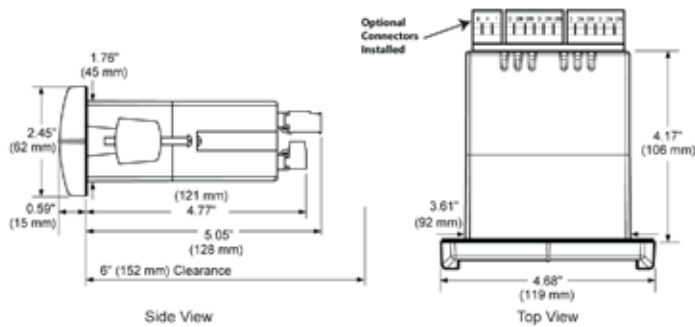
- 4 Relays + Isolated 4-20 mA Output
- External 4-Relay & Digital I/O Expansion Modules
- Sunlight Readable Display Models



PUMP CONTROLLER

DIMENSIONAL DRAWING

All dimensions are in inches (mm)



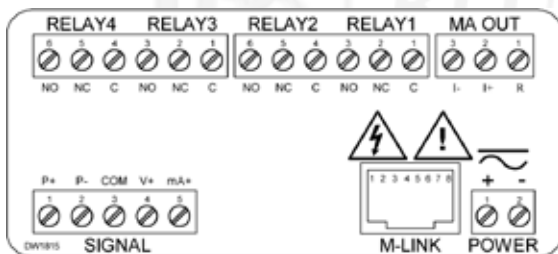
Notes:

1. Panel cutout required: 1.772" x 3.622" (45 mm x 92 mm)
2. Panel thickness: 0.040 - 0.250" (1.0 mm - 6.4 mm)
3. Mounting brackets lock in place for easy mounting
4. Clearance: Allow 6" (152 mm) behind the panel

NEMA 4X FIELD ENCLOSURES:

Thermoplastic NEMA 4X enclosures are constructed for indoor or outdoor use.

CONNECTION DIAGRAM:



BD281

ACCESSORIES:

MODEL	DESCRIPTION
BDDRMK	DIN RAIL MOUNTING KIT FOR TWO EXPANSION MODULES
BDXM	4-RELAY EXPANSION MODULE
BDIO	4 DIGITAL INPUTS & 4 DIGITAL OUTPUTS MODULE
BDCCC	METER COPY CABLE
BDUSBSA	USB SERIAL ADAPTER
BD281	1/8 DIN ENCLOSURE

All specifications are for reference purposes only. In the interests of continuous product improvement, all specifications are subject to change without notice. Please contact Blue Ribbon Corporation for assistance with your application.

