

Alber delivers the solutions you need...

The Kwik-Tab™ Battery Connection System - A Time Saving Breakthrough!

Description

Currently, tab washers are used to attach battery monitoring sense leads to battery terminals. When installing on a battery that is already in service, time consuming disassembly of each battery connection is required. This new approach will alleviate this disassembly time and permit the battery to remain online while the monitoring system is being installed (if desired).

This full, non-intrusive installation takes place in seconds representing an enormous amount of time savings. Additionally, this non-intrusive procedure lowers the risk of something being connected improperly and adversely affecting the critical path of the battery connections. For example, when reassembly is required, proper torque of the battery terminals is required.

Application

Invention applies single or multiple sensing points directly from battery terminal (posts) without requiring any breaking of mechanical intercell connections thus reducing application time and integrity of the battery string's interconnecting joints.

Invention could be applied in many different form factors. The concepts discussed employ the use of a slip-on clamping device with a cam lock securing feature which forces a copper sensing point to be held against the battery's post which in turn allows for application of a sensing wire via a fast-on tab connection sensing point.

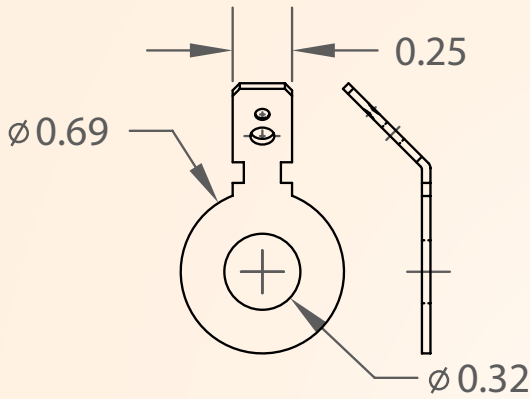
Other techniques could utilize a two piece ratcheting approach similar to that of a tie wrap. Another idea is the use of a Kant-twist type design allowing a jaw type action to be clamped down on the battery terminal. These are all valid approaches and take into account cost and manufacturability requirements.

Alber is about integrity, reliability and product innovation. It is our experience and proven technology that make the difference between unexpected failure and continued success!



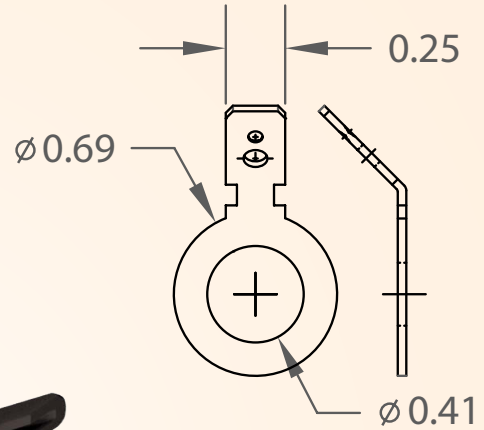
You've never connected a battery monitor this quickly, easily, and securely!

The Kwik-Tab™ Battery Connection System is designed to seamlessly replace the following, soon to be obsolete, battery connectors among others.



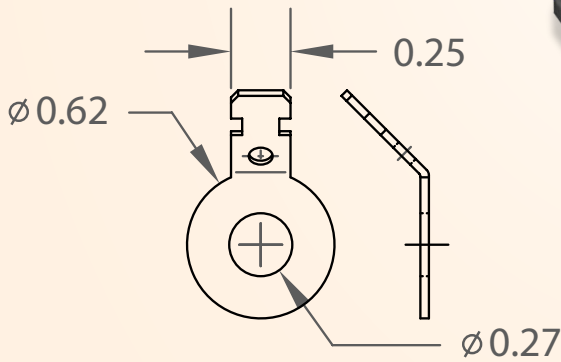
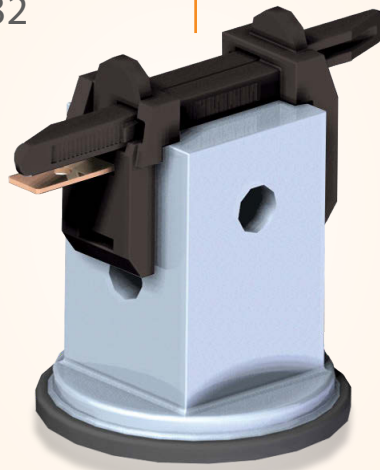
2120-064

5/16" (8mm)
Round 45°
Single Tab



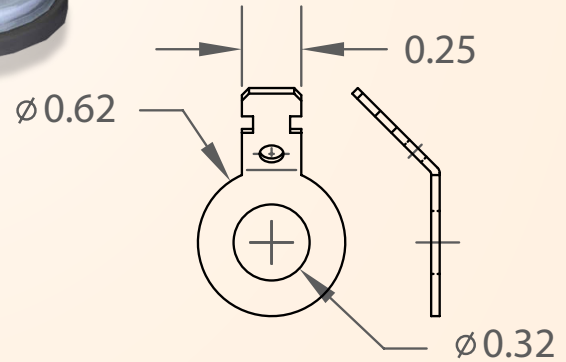
2120-065

3/8" (10mm)
Round 45°
Single Tab



2120-163

1/4" (6mm)
Round 45°
Single Tab



2120-164

5/16" (8mm)
Round 45°
Single Tab