

On-Off Pneumatically Operated 2/2 Way Angle Valve for Liquids

2000

NPT 1/2" - NPT2 1/2", 0-232 PSI

- Superior performance over ball valves
- Worldwide benchmark for quality and reliability
- Waterhammer-free



Bürkert's classic angle seat valve. Designed for unmatched life cycle performance, is a perfect replacement for actuated ball valves. Configuration with underseat flow for liquids these anti-waterhammer valves employ live loaded packing and an N-seal piston actuator all in an application proven rugged compact envelope.

Technical Data

Pressure range	0-232 PSI, Max.
Temperature media	14 °F ... +356 °F
Ambient temperature Max.	140 °F
Body material	Bronze, stainless steel
Seal material	PTFE
Actuator Material	Polyamide (optional PPS)
Control medium	Instrument air at 80 PSI
Flow direction	Under seat anti water-hammer
Port connection	NPT
Safe position	Normally closed or normally open

Options

- Normally open
- Double acting
- Solenoid pilot valves (see page 34)
- Vacuum version
- Feedback switches
- Steam version (see page 46)
- Cleaned for oxygen service
- 2 1/2" valve with overseat PPS actuator

Accessories for 2100

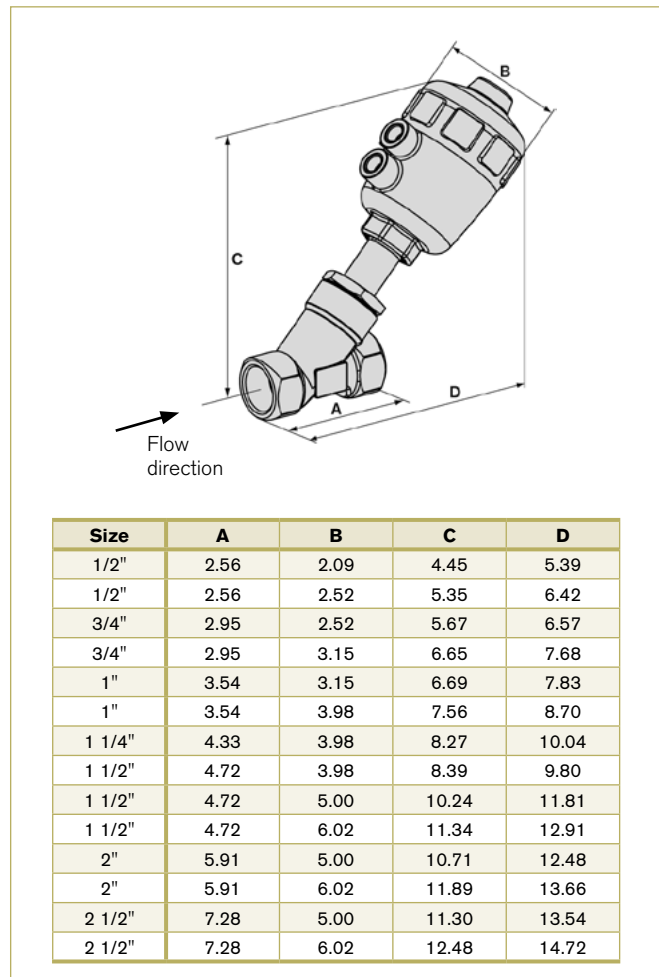


8690 Control Top

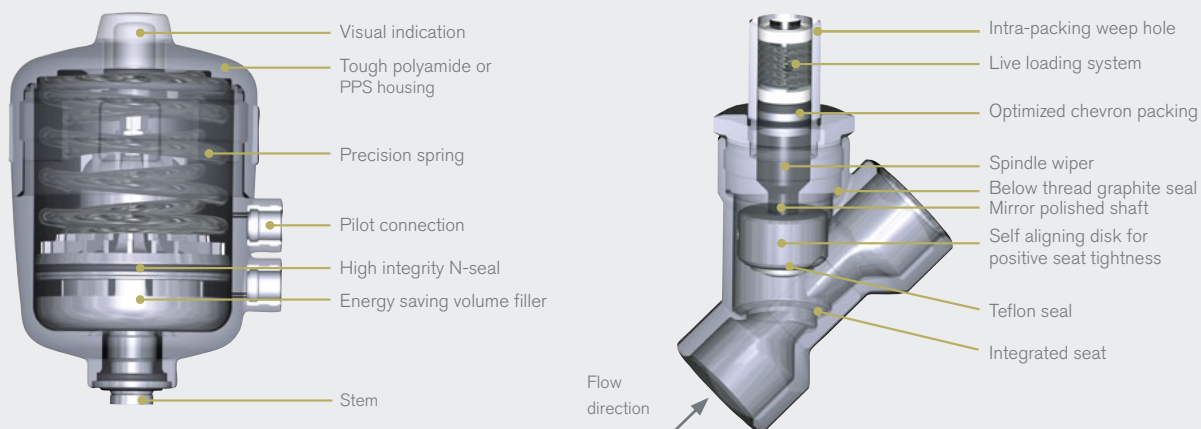
8691 Control Top with superBRIGHT feedback

6012P pilot valve

Envelope Dimensions [inch] (see datasheet for details)



Sectional Drawings



Ordering Charts

Standard PA Actuator

2000 for liquids	Actuator	CV	Pressure	Bronze	Stainless Steel
Normally Closed					
1/2"	40	4.3	-	463 570	463 612
1/2"	50	4.9	232	463 571	463 613
3/4"	50	9.3	160	463 572	463 614
3/4"	63	11.6	232	463 573	463 615
1"	63	22.0	160	463 574	463 616
1"	80	23.2	232	463 575	463 617
1 1/4"	80	31.3	218	463 576	463 618
1 1/2"	80	32.5	150	463 577	463 619
1 1/2"	100	44.1	181	464 014	464 015
1 1/2"	125	44.1	232	463 578	463 620
2"	100	63.8	104	454 610	454 624
2"	125	63.8	150	454 785	454 789
2 1/2"	125	104.4	75	454 611	454 625
2 1/2"	125	104.4	102	462 656	462 657
Normally Open					
1/2"	40	4.4	-	463 579	463 621
1/2"	50	4.9	232	463 580	463 622
3/4"	50	9.3	232	463 581	463 623
1"	50	11.6	232	463 582	463 624
1 1/4"	63	22.0	232	463 583	463 625
1 1/2"	63	23.2	232	463 584	463 626
1 1/2"	80	31.3	232	464 016	464 017
2"	63	32.5	188	454 617	454 602
2"	80	63.8	232	454 787	454 791
2 1/2"	80	63.8	217	454 618	454 603

PPS Actuator for high temperatures and severe washdown environment

2000 for liquids	Actuator	Cv	Pressure	Bronze	Stainless Steel
Normally Closed					
1/2" NPT	40	4.3	218	463 592	463 634
1/2" NPT	50	4.9	232	463 593	463 635
3/4" NPT	50	9.3	160	463 594	463 636
3/4" NPT	63	16.8	232	463 595	463 637
1" NPT	63	31.3	160	463 596	463 638
1" NPT	80	40.6	232	463 597	463 639
1 1/4" NPT	80	40.6	203	463 598	463 640
1 1/2" NPT	80	56.8	145	463 599	463 641
2" NPT	100	60.3	105	464 018	464 019
2" NPT	125	89.3	145	457 285	464 020
Normally Open					
1/2" NPT	40	4.3	232	463 600	463 642
1/2" NPT	50	4.9	232	463 601	463 643
3/4" NPT	50	9.3	232	463 602	463 644
1" NPT	50	16.8	232	463 603	463 645
1 1/4" NPT	63	31.3	232	463 604	463 646
1 1/2" NPT	63	40.6	232	463 605	463 647
2" NPT	63	56.8	188	464 021	464 022
2" NPT	80	60.3	218	464 023	464 024