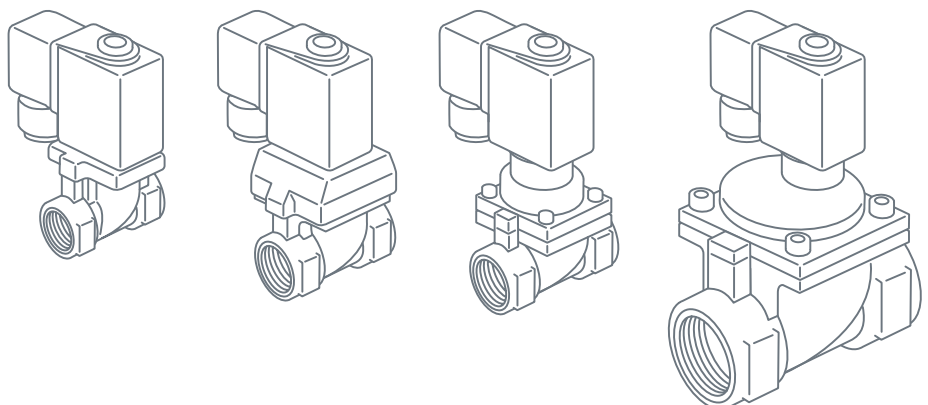




bürkert
FLUID CONTROL SYSTEMS

EV Type Series

Solenoid valves for neutral fluid and gaseous media





Valve Family EV

Product features and benefits

Our latest solenoid valve family EV sets new standards in actuation with proven technology and quality to fit your application.

Persuasive arguments you can count on:

Small and compact

Minimized outer dimensions allow installation even under space conditions

Permeable

The flow optimized internal design of the valve guarantees you a high flow even with small process connections

Flexible

The modular construction and breadth of material variety offer a customized solution for your application

Easy

The clear and consistent program makes fast and easy valve selection possible

Program Overview

Solenoid Valves EV Type Series

The solenoid valves from the new product series EV from Bürkert are suitable for a broad spectrum of standard applications with fluidic and gaseous media. Typical applications are water, compressed air and vacuum such as found in car washes, drinking water treatment plants, swimming pool technologies, heating and refrigerating systems. With the suitable selection of materials, solutions for aggressive media are also available.

6213 EV brass



6281 EV brass

Versions in brass or stainless steel

The type 6213 EV and 6281 EV solenoid valves are available in brass and stainless steel as standard. However, particularly for applications with stringent requirements for chemical resistance, stainless steel is often the only solution. The 6281 EV valve can also be used in potentially explosive areas.

6213 EV stainless steel



6281 EV stainless steel

Product features and technical data type 6213 EV

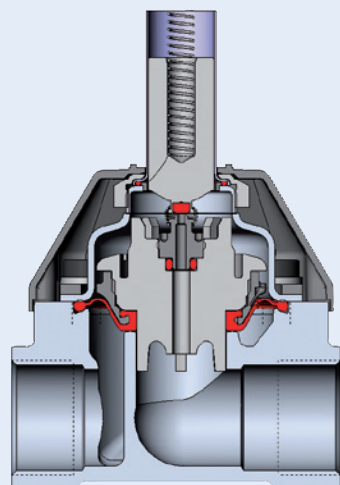
Servo-assisted 2/2-way Solenoid valve with diaphragm for liquids and gaseous media starting from 1.5 psi differential pressure

- Opens without differential pressure
- Short installation length
- Water hammer free and low audible noise
- High flow rate for small process connections
- Sealed and bolted coil system



Technical data	
Body material	Brass Stainless steel 1.4408 (316)
Process connections	Brass 1/4" to 2" NPT Stainless steel 3/8" to 2" NPT
Seal and diaphragm material	EPDM, NBR, FKM
Pressure range	1.5* to 145 psi
Media (depending on materials selected)	water, neutral fluids, hydraulic oils, per-solutions, oils with additives
Protection	IP65
Voltages	24VDC, 24 VAC, 230VAC
Electrical connection	Plug according to EN 175301-803 Form A

* for details see datasheet



Diaphragm valve – Spring coupled

Like other servo assisted valves, these spring coupled valves take advantage of the fluid's pressure to operate. The addition of a direct soft mechanical coupling between the main diaphragm or piston and the plunger of the pilot armature means that there is some extra assistance.

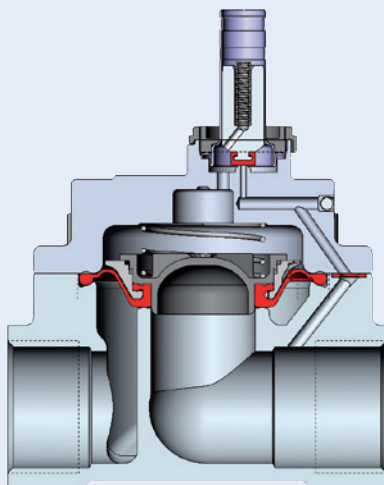
Product features and technical data type 6281 EV

Servo-assisted 2/2-way Solenoid valve with diaphragm for liquids and gaseous media starting from 2.9 psi differential pressure

- Water hammer free and low noise
- Short installation length
- High flow rate for small process connections
- Sealed and bolted coil system
- Low power consumption
- Universal and flexible with options
 - Manual override
 - Version: normally opened (NO)
 - Explosion proof version



Technical data	
Body material	Brass Stainless steel 1.4408 (316)
Process connections	Brass 3/8" to 2" NPT Stainless steel 1/2" to 2" NPT
Seal and diaphragm material	EPDM, NBR, FKM
Pressure range	2.9 to 232 psi
Media (depending on materials selected)	Water, neutral fluids, liquid bases, compressed air, per-solutions
Protection	IP65
Voltages	24VDC, 24 VAC, 230VAC
Electrical connection	Plug according to EN 175301-803 Form A



Servo assisted valve – plunger piloted

This operating method uses a direct acting plunger valve as the pilot valve and the main valve seal is a flexible diaphragm.

These valves require a minimum pressure differential to exist between the inlet port and the outlet port.



burkert
FLUID CONTROL SYSTEMS

Burkert Fluid Control Systems

USA

Sales Office – West Coast
2572 White Road
Irvine, CA 92614

Sales Office – East Coast
2915 Whitehall Park Drive, Suite 650
Charlotte, NC 28273

Systemhaus
2915 Whitehall Park Drive, Suite 100
Charlotte, NC 28273

Phone: 1-800-325-1405
Fax: 949-223-3198

marketing-usa@burkert.com
www.burkert-usa.com

Canada

5002 South Service Road
Burlington, Ontario L7L 5Y7

Phone: 905-632-3033
Fax: 905-632-3833

sales.ca@burkert.com
www.burkert.ca