

WEIGH MODULES

220 Universal Mount

Stainless Steel Weigh Modules, VPG Tedeo-Huntleigh



Available in configurations with three or four mounting assemblies.
Picture is a representation of actual product

The 220 Universal Mount is designed to be used with the VPG Tedeo-Huntleigh Model 220 load cell. The mount incorporates built-in jacking bolts to prevent damage to the load cell during installation. Its stainless steel construction is designed to be used in washdown applications.

Load Cell Specifications

Full scale Output:

2.0 mV/V

Bridge Resistance:

1,000 ohms, nominal

Material/Finish:

Stainless steel

Operating Temperature Range:

14°F to 104°F (-10°C to 40°C)

Safe Overload:

150% at center loading point, full scale

Rated Excitation:

5-10 VDC (15 V maximum)

Total Error:

0.020% full scale

Insulation Resistance:

2,000 megohms

Seal Type:

Hermetically sealed, IP68

Cable Length:

5 m (5,000 kg), 10 m (10,000 kg-20,000 kg) 20 m (30,000 kg)

Cable Color Code:

Blue+ Excitation
 Black.....- Excitation
 Green.....+ Sense
 Grey.....- Sense
 White.....+ Signal
 Red.....- Signal

Warranty:

One-year limited warranty



Module with hermetically sealed 220 compression load cell.

Standard Features

- Capacities (per module): 5,000 kg-30,000 kg (11,023.1 lb-66,139.0 lb)
- Matched output load cells eliminate trimming
- 304 stainless steel construction
- Hermetically sealed, IP68 stainless steel load cells
- Easy load cell replacement
- Integral jacking/shipping bolts

Applications

- Medium- to high-capacity tanks, bins and hoppers
- Washdown applications
- Process control and batch weighing

Complete Kit Includes

- One JB4SS NEMA Type 4X stainless steel signal trim junction box
- Three or four 220 stainless steel compression mounts
- Three or four 220 stainless steel hermetically sealed compression disk load cells
- 25 ft of our hostile environment EL147HE SURVIVOR® load cell cable

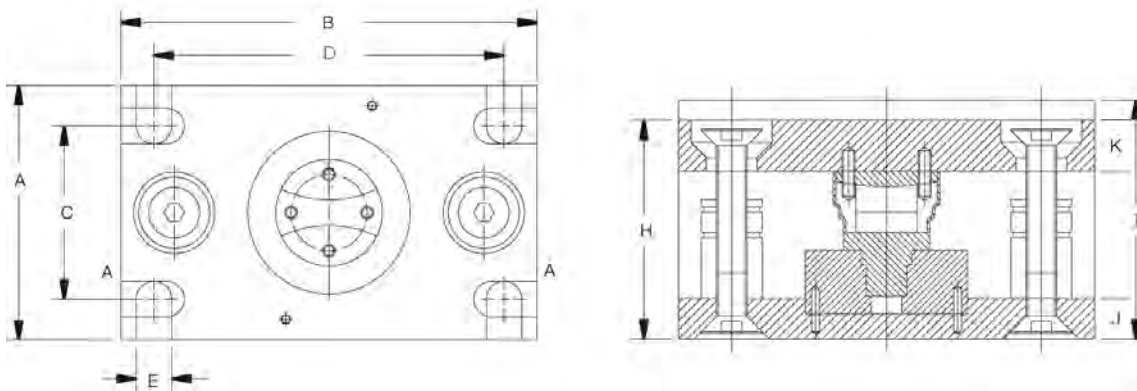
Load Cell Certifications



Available Upon Request

220 Universal Mount

Stainless Steel Weigh Modules, VPG Tedeo-Huntleigh

**Dimensions**

Rated Capacity	A	B	C	D	E	H	I	J	K
kg/mm									
5,000-10,000	127.00	203.00	90.00	170.00	18.00	107.00	118.00	19.05	25.4
20,000/30,000	152.00	245.00	115.00	208.00	24.00	148.00	156.00	31.75	25.4
lb/in									
11,023.1	5.00	8.00	3.54	6.70	0.71	4.21	4.65	0.75	1.0
44,092.7/66,139.0	5.98	9.65	4.53	8.19	0.94	5.83	6.14	1.28	1.0

Order Information

Load Rating (Per Module)	Part#	Price	
3-Module Kit (Includes Load Cell)			
5,000 kg	11,023.1 lb	66208	\$5,890.00
10,000 kg	22,046.3 lb	66209	\$5,890.00
20,000 kg	44,092.7 lb	66210	\$6,655.00
30,000 kg	66,139.0 lb	66211	\$6,655.00
4-Module Kit (Includes Load Cell)			
5,000 kg	11,023.1 lb	66212	\$7,780.00
10,000 kg	22,046.3 lb	66213	\$7,780.00
20,000 kg	44,092.7 lb	66214	\$8,950.00
30,000 kg	66,139.0 lb	66215	\$8,950.00

Replacement Mount Parts

Load Rating (Per Module)	Part#	Price
Saddle 5t-10t	170879	\$108.00
Rolling cylinder 5t-10t	170882	\$90.00
Load adaptor 5t	170880	\$95.00
Load adaptor 10t	170881	\$135.00
Rubber boot 5t-10t	171211	\$25.00
Saddle 20t-30t	170884	\$108.00
Rolling cylinder 20t-30t	170885	\$45.00
Load adaptor 20t-30t	170883	\$90.00
Rubber boot 20t-30t	171212	\$22.00