

Cable plugs and Conduit Connection

2507 / 2508 / 2509

0 to 250 VAC, DIN 43650

- Compact and simple to wire
- IP65 / NEMA 4X
- Also available with LED indicator
- Global Approvals

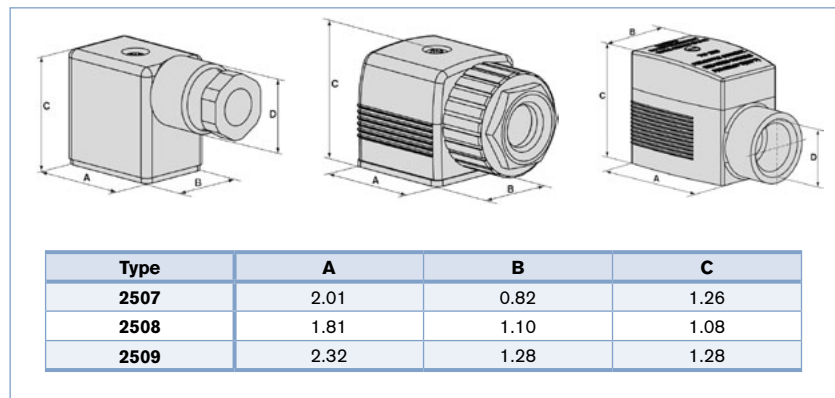


2507 - Plug on connector for small valves and sensors. Options include LED, rectifier, suppression diode, and varistor. Modular flexible design allows flexibility in restricted space watertight connection.

2508 - Plug on connector for process area valves and sensors. Options include LED, rectifier, varistor and an AS-i versions (2510/2511). The flexible design allows 180° installation flexibility.

2509 - Plug on conduit connector for UL Listed valves and sensors. LED, rectifier, varistor models are also available. This connector is also employed in CSA and FM Class 1 Div 2 applications.

Envelope Dimensions [inch] (see datasheet for details)



Technical Data

Type	2507	2508	2509
Body material	Polyamide	Polyamide	Polyamide
Contacts	Silver plated copper alloy	Silver plated copper alloy	Silver plated copper alloy
Rotation	2 x 180 degrees	4 x 90 degrees	4 x 90 degrees
Cable diameter	0.2" - 0.27"	0.24" - 0.27"	≤ 0.118" through 1/2" NPT
Continuous temperature limit	194 °F	194 °F	131 °F
Rating	6 A	6 A	6 A
Nominal voltage	0-250V	0-250V	0-250V
Feedback of function	Optional Red LED	Optional Red LED	Optional Yellow LED
Protection	NEMA 4, IP65	NEMA 4, IP65	NEMA 4, IP65

Ordering Chart

Circuitry	Voltage	Max. current	Item no. 2507	Item no. 2508	Item no. 2509
Standard (without electronics)	0 – 250 V AC/DC	6 A	423 845	008 376	137 943
With LED	24 V AC/DC	6 A	423 849	–	–
With LED and varistor	24 V DC	1.5 A	423 851	–	–
With LED	12 - 24 V/AC/DC	6 A	–	008 360	–
With LED	100 - 120 V/AC/DC	6 A	–	008 361	–
With LED	200 - 240 V/AC/DC	6 A	–	008 362	–
With LED and varistor	12 – 24 V AC/DC	3 A	–	–	137 944
With LED and varistor	100 – 120 V AC/DC	3 A	–	–	137 945
With LED and varistor	200 – 240 V AC/DC	3 A	–	–	137 946
With LED, rectifier and varistor	12 – 24 V AC/DC	1 A	–	–	137 947
With LED, rectifier and varistor	100 – 120 V AC/DC	1 A	–	–	137 948
With LED, rectifier and varistor	200 – 240 V AC/DC	1 A	–	–	137 949