

# Ultrasonic Level Transmitter for Process Control



## 1-33', NPT 2" connection

- Large display
- Simple setup and installation
- Remote tankside display available

8175

General purpose non-contact level transmitter with chemically resistant PVDF antenna measures from 1 to 33 feet. Output is normally 4-20mA. Output with optional 3 A relays.

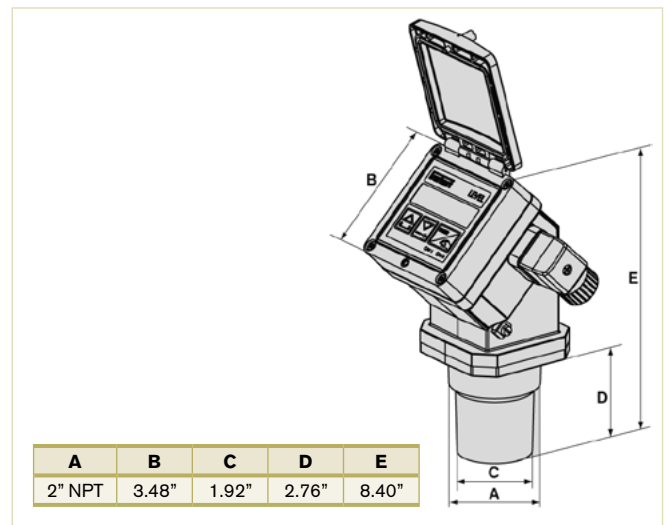
### Technical Data

<b>Housing / Cover / Probe</b>	PVDF / PC / PVDF
<b>Display</b>	8-digit LCD display
<b>Ambient temperature</b>	-4 to +140 °F
<b>Voltage supply</b>	3-wire, 18 to 32 V DC (or 115 VAC)
<b>Current consumption Max.</b>	200 mA
<b>Electrical connections</b>	NPT 1/2 conduit, or DIN plug
<b>Outputs</b>	4...20 mA
<b>Output Load Max.</b>	1300 Ohms at 32 VDC, 550 Ohms at 18 VDC, 1100 Ohms at 115/230 VAC
<b>Dead zone</b>	1'
<b>Measuring range</b>	1.0' to 32.8'
<b>Beam angle</b>	8°
<b>Accuracy</b>	± 0.25% of the measurement range
<b>Process pressure</b>	≤ 29 PSI
<b>Ingress protection</b>	IP65, IP67 (sensor)
<b>Approvals</b>	CE

### Options

- 3 A Relay outputs
- Remote display
- Two wire version (8176)

Envelope Dimensions [inch] (see datasheet for details)



### Ordering Chart

Voltage	Output	Connection	Item no.
18 - 32 VDC	4...20 mA	1 x DIN Plug	430 827
18 - 32 VDC	4...20 mA	1 x 1/2" Conduit	430 828
18 - 32 VDC	4...20 mA + 2 relays	2 x 1/2" Conduit	430 829
115/230 V AC	4...20 mA	1 x 1/2" Conduit	430 830
115/230 V AC	4...20 mA + 2 relays	2 x 1/2" Conduit	430 831