

# On-Off Pneumatically Operated 3/2 Way Globe Valve with Unions

2002

## 1/2" - 2" UNION x NPT, 0-232 PSI

- Superior performance over 3/2 ball valves
- Ready for installation with unions
- Long life actuator



3 way pneumatic piston operated valve with two seats and PTFE seals. Fitted with a Classic Bürkert long life actuator this valve can be deployed to control a wide range of liquids and gases. Live loaded packing and a range of process oriented accessories make this rugged and compact valve an excellent choice. High flow rates are attained with the sturdy proven bronze 3-way body. As with all the 2000 series valves a reliable self-adjusting packing gland provides high sealing integrity. Various fluidic circuit functions can be obtained by a simple exchange of the pressure and service ports making these maintenance-free valves the sensible alternative to three way ball valves.

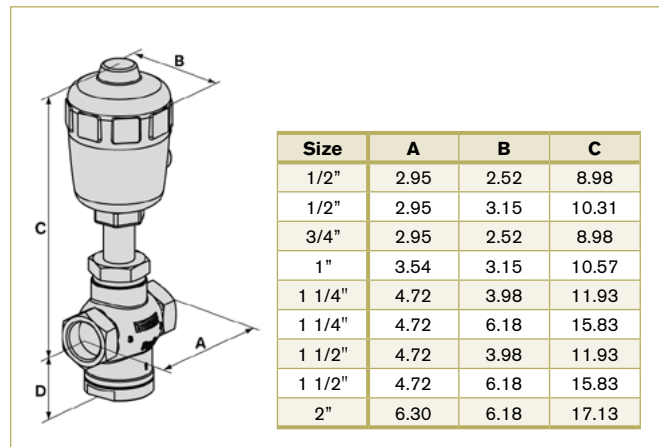
### Technical Data

<b>Pressure range</b>	0-232 PSI, Max.
<b>Temperature media</b>	14 °F ... +356 °F
<b>Ambient temperature Max.</b>	140 °F
<b>Body material</b>	Bronze
<b>Seal material</b>	PTFE
<b>Actuator Material</b>	Polyamide (optional PPS)
<b>Control medium</b>	Instrument air at 80 PSI
<b>Port connection</b>	Metric (also stocked with adaption)
<b>Safe position</b>	Normally closed or normally open

### Options

- Universal version normally open (Operation D)
- Double acting
- Solenoid pilot valves (see page 34)
- Vacuum version
- Feedback switches
- High temperature actuator in PPS
- Chemically resistant actuator
- Cleaned for oxygen service
- Stroke limiter

### Envelope Dimensions [inch] (see datasheet for details)



### Ordering Chart

Thread	Actuator	Cv 1 to 2	Cv 2 to 3	Metric Thread	With NPT Kit (1 x union and 2 x adapter)
1/2"	50	8.1	5.2	002 131	98124851
1/2"	63	10.5	6.4	002 300	98124852
3/4"	50	10.3	7.3	002 132	98124853
3/4"	63	12.2	7.6	002 301	98124854
1"	63	19.8	12.8	002 133	98124855
1 1/4"	80	37.2	25.6	002 134	98124858
1 1/4"	125	44.2	27.9	002 302	98124859
1 1/2"	80	39.5	27.9	002 135	98124860
1 1/2"	125	46.5	30.2	002 303	98124861
2"	125	64.0	43.0	002 136	98124862