

5500sc AMMONIA MONOCHLORAMINE ANALYZER

Applications
• Drinking Water



Chloramination made easy.

The Hach 5500sc Ammonia Monochloramine Analyzer provides all the information you need to eliminate nitrification events and taste and odor issues, giving you total confidence in your process. Oh—and it's easy, too.

Reliability without all the work

Only Hach can offer a low-maintenance solution with a pressurized reagent delivery system, easy-to-change reagent bottles, a simple troubleshooting menu, and PROGNOSYS predictive diagnostics. You'll always know if your analyzer is doing its job, so you can do yours.

Easy operation

It has never been easier to monitor your chloramination process online. You'll be up and running on day one with easy setup, and keep on running with at-a-glance status LEDs, a user friendly interface, color-coded reagent bottles and a simple solution for verifying your results with grab samples.

Improved control of your chloramination process

Continuous online monitoring gives you a more accurate and complete picture of your chloramination process, allowing you to make data-driven decisions. With a dual colorimeter design, you'll get more results faster - keeping you one step ahead of nitrification.

Technical Data*

Range	0.01 to 2 ppm (as N)
Parameter	Total Ammonia, Monochloramine, and Free Ammonia
Number of sample streams	1 or 2 in programmable sequence
Accuracy	± 5 % or 0.01 ppm (as N) for sample temperature 5 to 40 °C (41 to 104 °F); ±10% or 0.02 ppm for sample temperature 40 to 50 °C (104 to 122 °F), whichever is greater
Repeatability	3 % or 0.01 ppm (as N), whichever is greater
Lower Limit of Detection (LOD)	0.01 ppm (as N)
Response Time	Within 5 minutes
Reagent Consumption	1L of reagents every month with 5 minute cycle time
Operating Temperature Range	5 to 45 °C (41 to 113 °F)
Operating Humidity	5 to 95 % non-condensing
Sample Pressure	2.5 to 87 psi (0.17 to 6.0 bar)
Sample Temperature	5 to 50 °C (41 to 122 °F)
Sample Flow Rate	100 to 1000 mL/minute
Grab Sample	Grab Sample In and Grab Sample Out capability
Mounting	Wall, panel, or table

Inlet	6mm OD push-to-connect fitting for plastic tubing
Outlet	11mm (7/16 in.) ID slip-on fitting
Output	Four 0/4-20 mA Outputs, load impedance 600 ohm maximum
Communication	4-20mA Output, Optional: Modbus RS485, Profibus DP with external controller
Dimensions (H x W x D)	804 mm x 452 mm x 360 mm
Enclosure Rating	NEMA 4X/IP56
Certifications	CE (EN 61326-1: 2006; EN 61010-1: 2010; EN 60529: 1991, +A1:2000 cETLus (UL 61010-1:2012; NEMA 250:2003; CSA C22.2 No 61010-1:2012) Australian RCM Marking
Weight	20.5 kg (45.2 lb) without reagents and standards, 30 kg (66.2 lb) with reagents, standards and cleaning solution
Warranty	1 year

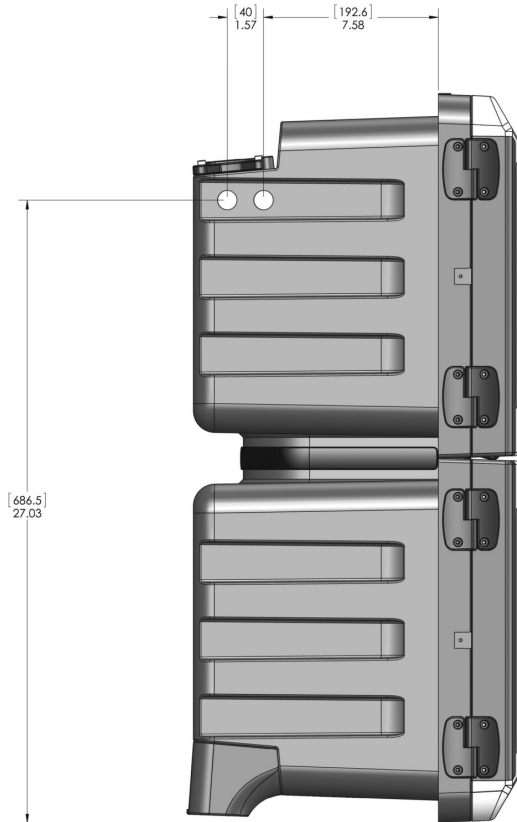
*Subject to change without notice.

Principle of Operation

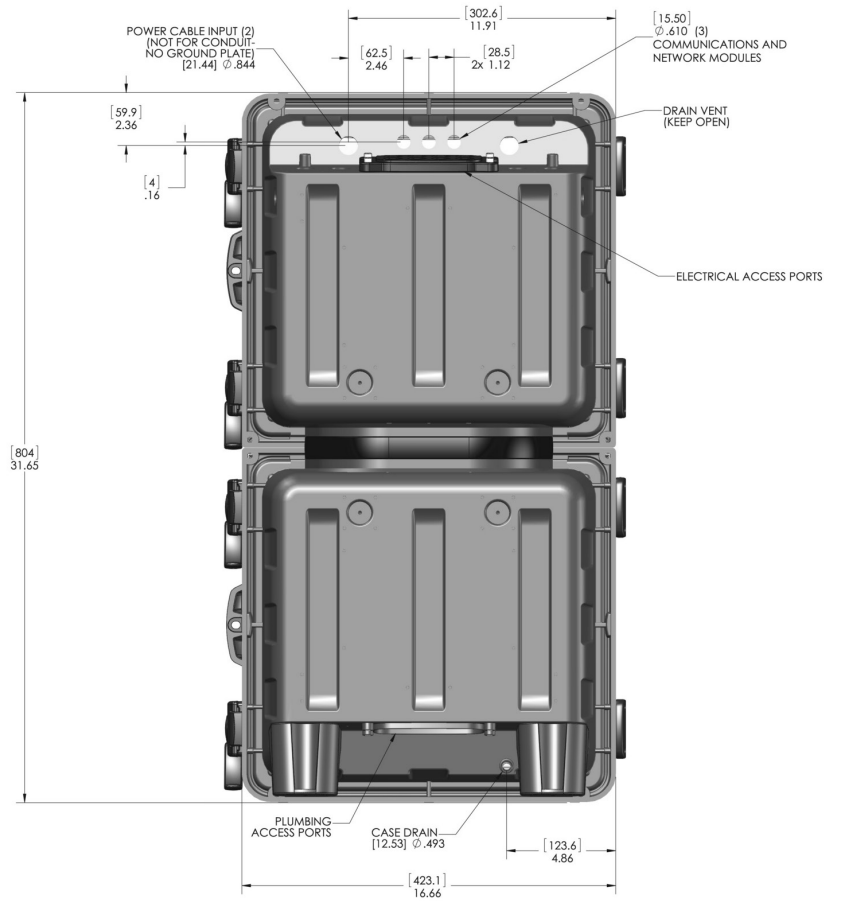
The analyzer measures total ammonia and monochloramine in drinking water and determines free ammonia concentration. The chemical analysis uses a modified phenate method to measure monochloramine values by colorimetry. An excess of hypochlorite at the correct pH generates total ammonia values measured by colorimetry. From these measurements, the analyzer calculates the free ammonia values for each measurement.

Dimensions

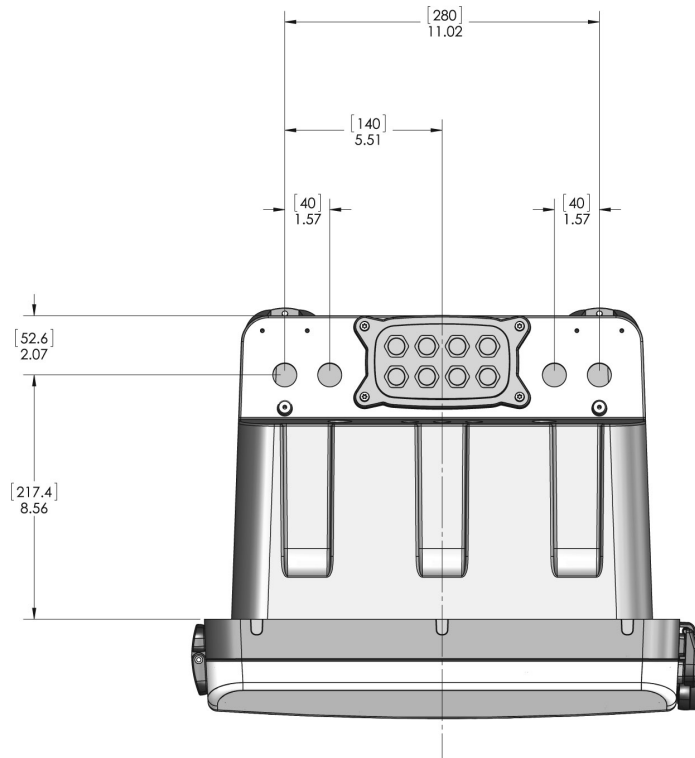
Right Side View



Rear View



Top View



Order Information

Instruments

5500.AMC.1.KTO	5500sc Ammonia Monochloramine Analyzer, 1 Channel
5500.AMC.2.KTO	5500sc Ammonia Monochloramine Analyzer, 2 Channel
5500.AMC.3.KTO	5500sc Ammonia Monochloramine Analyzer, 1 Channel with External Filter
5500.AMC.4.KTO	5500sc Ammonia Monochloramine Analyzer, 2 Channel with External Filter

Reagents

25233000	5500sc Ammonia Monochloramine Analyzer Reagent Set
25234000	5500sc Ammonia Monochloramine Reagent 1, 1L
25235000	5500sc Ammonia Monochloramine Reagent 2, 1L
25236000	5500sc Ammonia Monochloramine Reagent 3, 1L
25237000	5500sc Ammonia Monochloramine Standard 1 (0 ppm NH ₃), 2L
25238000	5500sc Ammonia Monochloramine Standard 2 (2 ppm NH ₃), 2L
25239000	5500sc Ammonia Monochloramine Acidic Surfactant Wash, 2L

Accessories

9179700	Power cord, North American
9560501	5500sc Ammonia Monochloramine Maintenance Kit, 1 Channel
9560502	5500sc Ammonia Monochloramine Maintenance Kit, 2 Channel
25224000	Colorimeter Cleaning Kit for 5500sc Ammonia Monochloramine Analyzer
6792500	5500sc Modbus Module Kit
25277000	PROGNOSYS License for the 5500sc Ammonia Monochloramine Analyzer

Service Plan Options

WRTUPG5500sc-AMC	5500sc Ammonia Monochloramine Analyzer, 1 channel WarrantyPlus™ Instrument Protection and Service
-------------------------	--



HACH COMPANY World Headquarters: Loveland, Colorado USA

United States: 800-227-4224 tel 970-669-2932 fax orders@hach.com

Outside United States: 970-669-3050 tel 970-461-3939 fax int@hach.com

hach.com

Printed in U.S.A.

©Hach Company, 2015. All rights reserved.

In the interest of improving and updating its equipment, Hach Company reserves the right to alter specifications to equipment at any time.



Be Right™