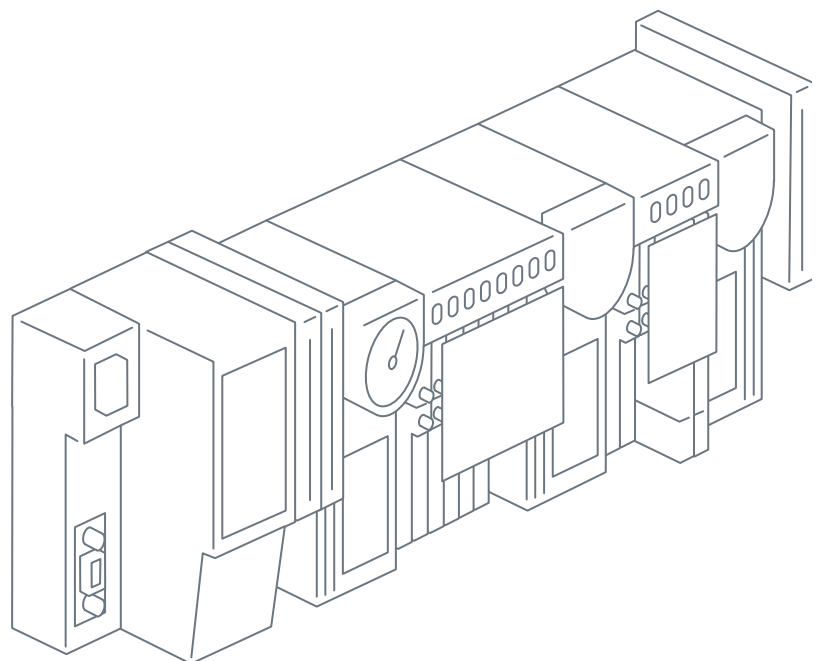




bürkert
FLUID CONTROL SYSTEMS

Type 8644 with Rockwell Point I/O

Automation System AirLINE
with Rockwell Point I/O

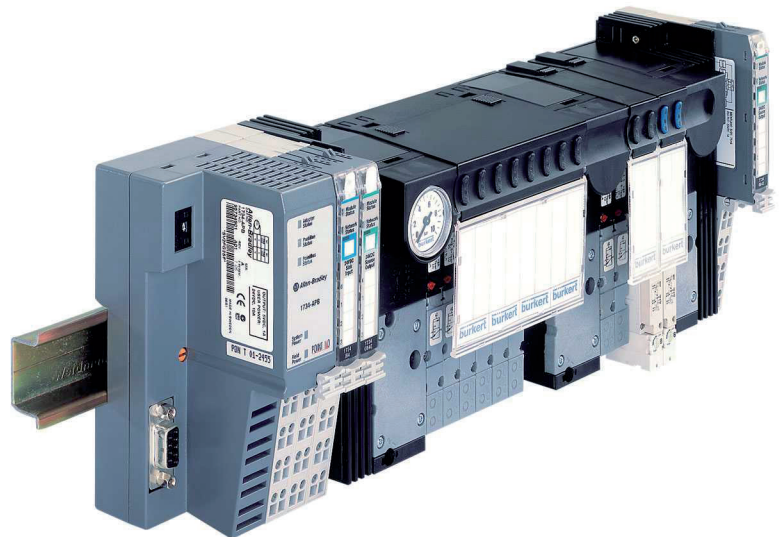




Type 8644

Features

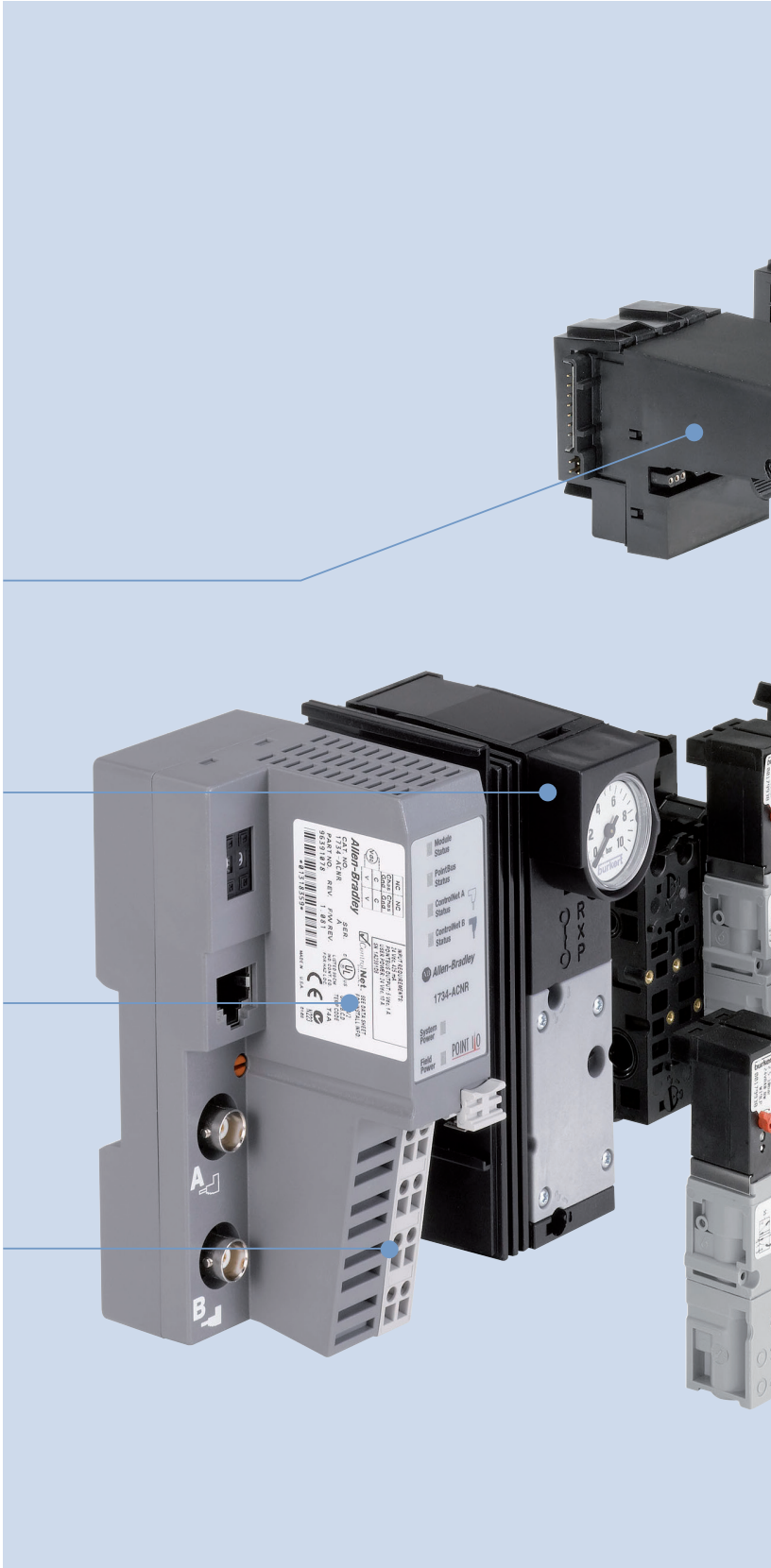
- groundbreaking modular system in protection class IP 20 with multiple communication possibilities including ControlNet, DeviceNet, Ethernet and Profibus DP
- wide range of both digital and analogue switch and sensor input modules combined with digital and analogue output modules
- unique availability for different valve pressure ranges on one block
- simple replacement of valves incorporating pressure shut-off even during operation
- unrivalled protection via integrated check valves
- customised turnkey solutions with certified control cabinets
- user-friendly configuration

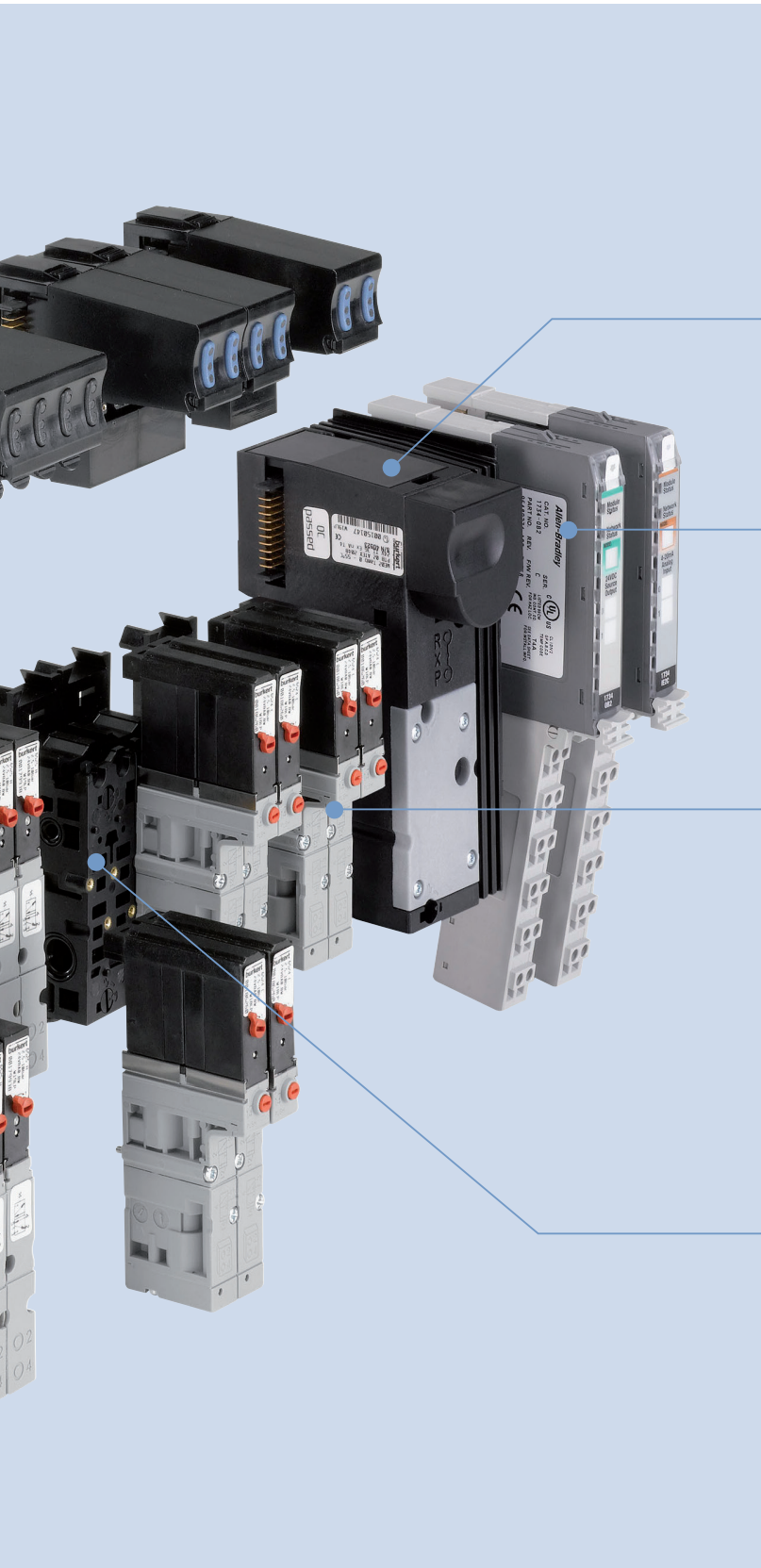


*AirLINE Type 8644 with Rockwell Point I/O:
Modular valve island for pneumatics with
fieldbus and digital and analogue in- and
output modules*

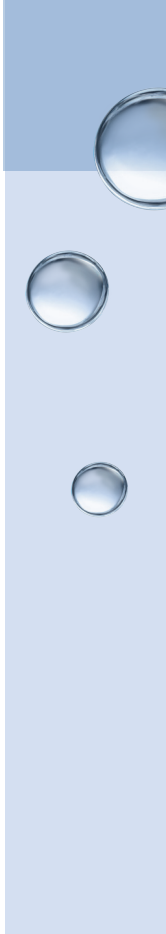
Modular Assembly—AirLINE Type 8644 with Rockwell Point I/O

- basic electrical modules for valves supply
- electrical and pneumatic supply module
- communication modules: ControlNet, DeviceNet, Ethernet and Profibus DP
- digital and analogue in- and output modules for the detection of sensor inputs and the control of actuators





- electrical and pneumatic supply module
- additional digital and analogue in- and output modules for the detection of sensor inputs and the control of actuators
- possibility to combine up to 64 valve different functions on a single valve block:
 - 3/2 way valve
 - 5/2 way valve
 - 2x3/2 way valve
 - 5/2 way valve bistabile
 - 5/3 way valve
- pneumatic basic modules with features
 - P shut-off: replacement of valves during operation possible
 - additional protection in your device with check valves

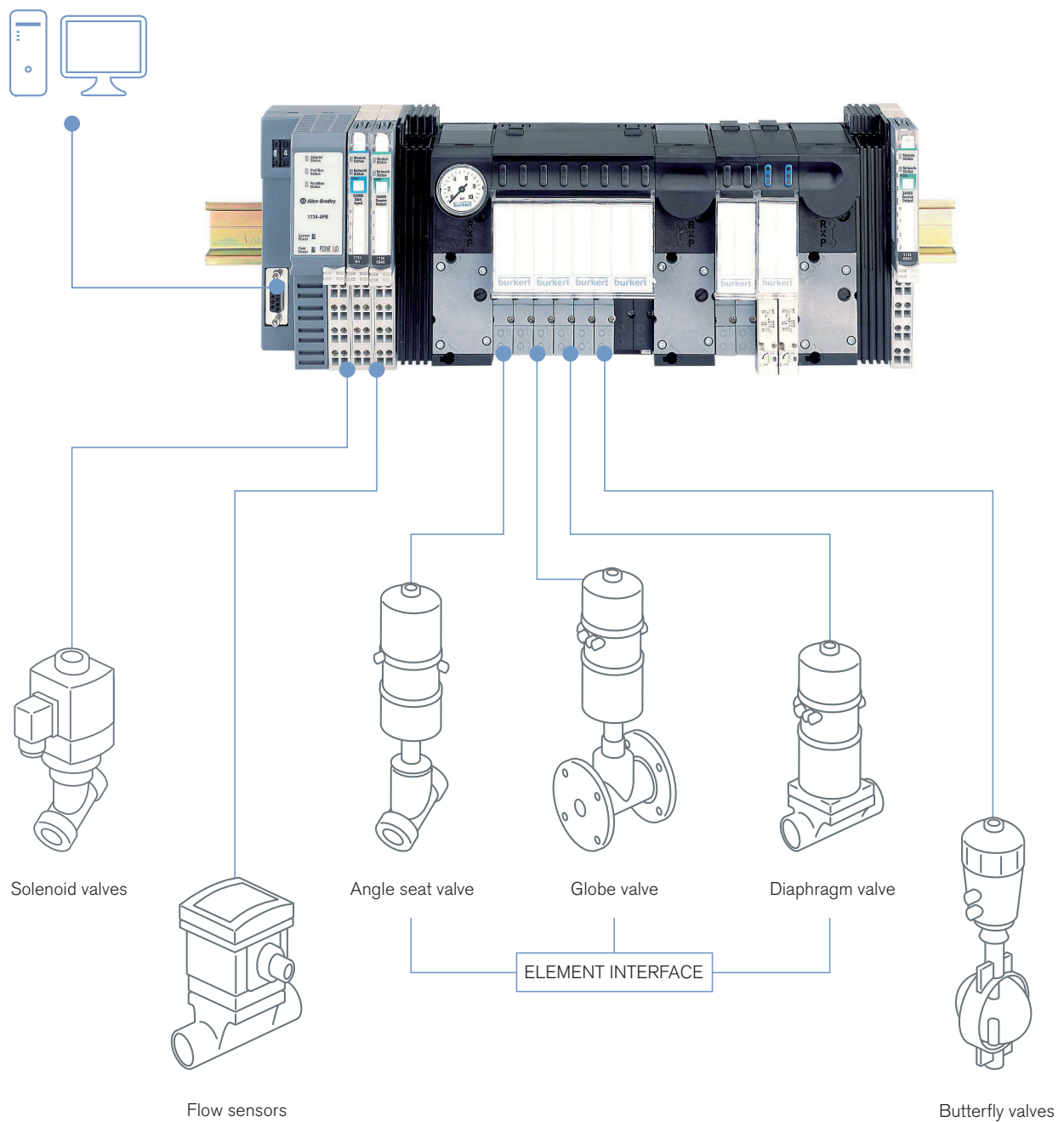


Possible Functions—Valve Island for Pneumatics

		Flow rate			
		200 l/min	300 l/min	500 l/min	700 l/min
Electrical control	Single wiring				
	Common connection				
	Multipin				
	Profibus—DP	•	•	•	•
	ControlNet	•	•	•	•
	Interbus				
	Modbus				
	CC-Link				
	CANopen				
	DeviceNet	•	•	•	•
	Ethernet	•	•	•	•
	ASi				
	RIO				
I/O module	Digital input	•	•	•	•
	Digital output	•	•	•	•
	Analogue input	•	•	•	•
	Analogue output	•	•	•	•
Valve function	3/2 way		•		•
	2x3/2 way		•		
	5/2 way—monostabile		•		•
	5/2 way—bistabile	•		•	
	5/3 way	•		•	
Width per station	11 mm	•	•		
	16,5 mm			•	•
	19 mm				
	33 mm				
Pressure range	Vacuum		•		•
	1-7 bar		•		•
	1-8 bar		•		•
	1-10 bar		•		•
	2-7 bar	•	•		•
	2-10 bar		•		•
	2,5-7 bar		•	•	•
	2,5-10 bar		•		•
Material	Polyamid (PA)		•		•
	Aluminium	•		•	

Open for all Functionalities

AirLINE type 8644 uses digital and analogue inputs for the control of sensor signals and uses digital and analogue outputs for the control of complete decentralised control systems. Our expertise lies in the supervision and control of complete loops including flow, pressure, temperature and level.





burkert
FLUID CONTROL SYSTEMS

Burkert Fluid Control Systems

USA

Sales Office – West Coast
2572 White Road
Irvine, CA 92614

Sales Office – East Coast
2915 Whitehall Park Drive, Suite 650
Charlotte, NC 28273

Systemhaus
2915 Whitehall Park Drive, Suite 100
Charlotte, NC 28273

Phone: 1-800-325-1405
Fax: 949-223-3198

marketing-usa@burkert.com
www.burkert-usa.com

Canada

5002 South Service Road
Burlington, Ontario L7L 5Y7

Phone: 905-632-3033
Fax: 905-632-3833
sales.ca@burkert.com
www.burkert.ca