

WEIGH MODULES

RL1600 Series

Mild Steel Weigh Modules

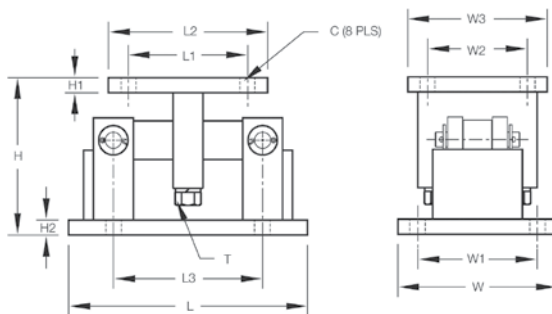


Available in configurations with three or four mounting assemblies.
Picture is a representation of actual product

The RL1600 Series mounting module kit utilizes several Rice Lake Weighing Systems components to provide an unmatched level of performance in tank and hopper weighing applications. The RL1600 Series kit is ideally suited for indoor and outdoor process control operations in the medium- to high-capacity ranges. Each module incorporates self-checking capabilities for thermal expansion and contraction.



Mild steel module with RL75016 double-ended beam load cell.

**Dimensions**

Rated Capacity	C	H	H1	H2	L	L1	L2	L3	T	W	W1	W2	W3
lb/in													
1,000-5,000	0.56	5.00	0.50	0.50	9.25	2.75	4.00	6.25	1/2-13 UNC	5.00	3.75	2.75	4.00
10,000-25,000	0.78	7.87	0.75	0.75	12.00	6.00	8.00	7.50	3/4-10 UNC	8.00	6.00	6.00	8.00
50,000-75,000	0.78	9.25	1.00	1.00	16.25	6.50	9.00	11.50	1 1/4-7 UNC	12.00	9.50	6.50	9.00
kg/mm													
453.6-2,268.0	14.2	127.0	12.7	12.7	235.0	69.9	101.6	158.8	1/2-13 UNC	127.0	95.3	69.9	101.6
4,535.9-11,339.8	19.8	199.9	19.1	19.1	304.8	152.4	203.2	190.5	3/4-10 UNC	203.2	152.4	152.4	203.2
22,679.7-34,019.5	19.8	234.9	25.4	25.4	412.8	165.1	228.6	292.1	1 1/4-7 UNC	304.8	241.3	165.1	228.6

Standard Features

- Capacities (per module): 1,000lb-75,000lb (453.6kg-34,019.5kg)
- Self-checking, easy-to-use design allows module to be bolted directly to tank leg without requiring additional mounting plates or load buttons
- Environmentally protected load cells
- Double-ended shear beam design, center loaded
- Painted mild steel construction

Optional Features

- Kits available with VPG® Scentroidics 65016 load cells, capacities (per module): 1,000lb-75,000lb (453.6kg-34,019.5kg)

Applications

- Medium- to heavy-capacity tanks, bins and hoppers
- Bulk material management

Complete Kit Includes

- One JB4SS NEMA Type 4X stainless steel signal trim junction box
- Three or four RL1600 mild steel compression mounts
- Three or four RL75016 double-ended shear beam load cells
- 25 ft of our hostile environment EL147HE SURVIVOR® load cell cable

Load Cell Certifications

Order Information

Load Rating (Per Module)		Part #	Price
Single Module (Does NOT Include Load Cell)			
1,000 lb-5,000 lb	453.6 kg-2,268.0 kg	17812	\$150.00
10,000-25,000 lb	4,535.9 kg-11,339.8 kg	17814	\$290.00
50,000 lb	22,679.6 kg	17816	\$975.00
75,000 lb	34,019.5 kg	25346	\$975.00
3-Module Kit			
1000 lb	453.6 kg	18117	\$1,995.00
1500 lb	680.4 kg	18118	\$1,995.00
2000 lb	907.2 kg	18119	\$1,995.00
2500 lb	1,134.0 kg	18120	\$1,995.00
3000 lb	1,360.8 kg	18121	\$1,995.00
5000 lb	2,268.0 kg	18122	\$1,995.00
10,000 lb	4,535.9 kg	18123	\$2,595.00
15,000 lb	6,803.9 kg	18124	\$2,595.00
20,000 lb	9,071.9 kg	18125	\$2,595.00
25,000 lb	11,339.8 kg	18126	\$2,595.00
50,000 lb	22,679.6 kg	18127	\$5,350.00
75,000 lb	34,019.5 kg	25348	\$5,350.00
4-Module Kit			
1,000 lb	453.6 kg	18129	\$2,550.00
1,500 lb	680.4 kg	18130	\$2,550.00
2,000 lb	907.2 kg	18131	\$2,550.00
2,500 lb	1,134.0 kg	18132	\$2,550.00
3,000 lb	1,360.8 kg	18133	\$2,550.00
5,000 lb	2,268.0 kg	18134	\$2,550.00
10,000 lb	4,535.9 kg	18135	\$3,350.00
15,000 lb	6,803.9 kg	18136	\$3,350.00
20,000 lb	9,071.9 kg	18137	\$3,350.00
25,000 lb	11,339.8 kg	18138	\$3,350.00
50,000 lb	22,679.6 kg	18139	\$7,150.00
75,000 lb	34,019.5 kg	25349	\$7,150.00

VPG Scentroidronics 65016 Order Information

Load Rating (Per Module)		Part #	Price
3-Module Kit			
1,000 lb	453.6 kg	18189	\$2,350.00
1,500 lb	680.4 kg	18190	\$2,350.00
2,500 lb	1,134.0 kg	18192	\$2,350.00
5,000 lb	2,268.0 kg	18194	\$2,350.00
10,000 lb	4,535.9 kg	18195	\$2,950.00
15,000 lb	6,803.9 kg	18196	\$2,950.00
20,000 lb	9,071.9 kg	18197	\$2,950.00
25,000 lb	11,339.8 kg	18198	\$2,950.00
50,000 lb	22,679.6 kg	18199	\$5,795.00
75,000 lb	34,019.5 kg	25350	\$5,795.00
4-Module Kit			
1,000 lb	453.6 kg	18201	\$3,050.00
1,500 lb	680.4 kg	18202	\$3,050.00
2,500 lb	1,134.0 kg	18204	\$3,050.00
5,000 lb	2,268.0 kg	18206	\$3,050.00
10,000 lb	4,535.9 kg	18207	\$3,875.00
15,000 lb	6,803.9 kg	18208	\$3,875.00
20,000 lb	9,071.9 kg	18209	\$3,875.00
25,000 lb	11,339.8 kg	18210	\$3,875.00
50,000 lb	22,679.6 kg	18211	\$7,595.00
75,000 lb	34,019.5 kg	25351	\$7,595.00
Dummy Load Cells			
1,000 lb-5,000 lb	453.6 kg-2,268.0 kg	18236	\$20.00
10,000 lb-25,000 lb	4,535.9 kg-11,339.8 kg	18237	\$35.00
50,000 lb	22,679.6 kg	18238	\$50.00

Shims, Mild Steel

	Part #	Price
1,000 lb-5,000 lb		
0.0625	150844	\$1.00
0.125	150845	\$1.50
0.250	150846	\$1.75
10,000 lb-25,000 lb		
0.0625	150847	\$3.50
0.125	150848	\$6.00
0.250	150849	\$6.50
50,000 lb-75,000 lb		
0.0625	150850	\$4.50
0.125	150851	\$7.50
0.250	150866	\$6.00

Load Cell Upgrade

RL75016SS Stainless Steel Load Cells	
Three mount kits, 1,000 lb to 25,000 lb	\$75.00 added to list price
Four mount kits, 1,000 lb to 25,000 lb	\$100.00 added to list price
RL75016WHE Stainless Steel Hermetic Load Cells	
Three mount kits 1,000 lb-5,000 lb	\$390.00, 10,000 lb-25,000 lb \$435.00 added to list price
Four mount kits 1,000 lb-5,000 lb	\$520.00, 10,000 lb-25,000 lb \$580.00 added to list price

Contact factory for a 50,000 lb to 75,000 lb adder for stainless only