



- For tough, demanding conductivity applications
- Proven design for harsh chemicals
- PEEK version for CIP solutions

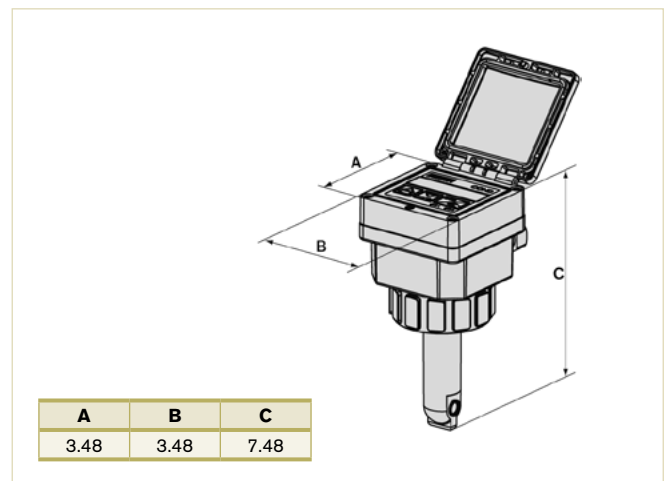
Please add fitting from page 65

Inductive / toroidal conductivity transmitter with programmable outputs. The analog 4-20 mA output is proportional to conductivity. The unit can be equipped with two 3A relays. The unit has a very wide measuring range. Standard version is PVDF with PEEK version available for harsh CIP solutions.

Technical Data

| | |
|------------------------------------|---|
| Measuring range | 100 µS/cm ... 2 S/cm |
| Measuring error | ± 2% of reading |
| Temperature compensation | Automatic via integrated temperature sensor |
| Available Fitting Materials | Brass, Stainless, PP, PVC, PVDF |
| Housing material | PC+20% glass fibre (PVDF sensor); PPA glass reinforced fibre (PP sensor) |
| Insertion finger | PVDF or PP |
| O-rings | FKM or EPDM |
| Max. Fluid Temperature | 4 °F...+248 °F (depending on fitting) |
| Max. fluid pressure | 87 PSI (also depending on fitting / temp) |
| Ambient temperature | 14 °F to 140 °F |
| Storage temperature | 14 °F to 140 °F |
| Ingress protection | IP65 |
| Voltage supply | 12...30 VDC or 115 VAC |
| Protection | Reversed polarity of DC and peak protected |
| Accreditations | CE |
| Outputs | 4 ... 20 mA |
| Output Load | < 1000 Ω at 30 V < 800 Ω at 24 V < 450 Ω at 15 V < 330 Ω at 12 V |

Envelope Dimensions [inch] (see datasheet for details)



Options

- Relay output: 2 relays, 3 A / 230 V
- PEEK insertion finger for harsh CIP conditions
- Material Test Report for stainless steel fittings
- 1/2" conduit adapter kit (551 782)
- 1/2" conduit plug 2509 (162 673)

Ordering Chart for inductive conductivity transmitter

| Material | Output | Relays | Gasket | Electrical connection | Voltage | Item no. |
|----------|--------|---------------|--------|-------------------------|--------------|----------|
| PVDF | 4-20mA | without relay | FKM | 2508 plug (see page 30) | 12 -30 VDC | 431 673 |
| | | | | 2x Cable gland | 115 -230 VAC | 431 677 |
| | | with 2 relays | | 2x Cable gland | 12 -30 VDC | 431 679 |
| | | | | 2x Cable gland | 115 -230 VAC | 431 681 |
| PEEK | 4-20mA | without relay | EPDM | 2508 plug (see page 30) | 12 -30 VDC | 440 321 |
| | | | | 2x Cable gland | 115 -230 VAC | 440 323 |
| | | with 2 relays | | 2x Cable gland | 12 -30 VDC | 440 324 |
| | | | | 2x Cable gland | 115 -230 VAC | 440 325 |