

pH Transmitter

- Beautiful process oriented design
- Accepts all standard pH probes
- Removable programming puck

Please add fitting from page 84



pH transmitter with programmable outputs. pH and temperature output via single or dual analog 4-20 mA. Two transistor outputs are also included. Transmitters are engineered for a wide scope of measuring ranges and can be delivered in 2-wire or 3-wire configurations. Intelligent, integrated, beautiful design fits perfectly with an assortment of easily configured fittings.

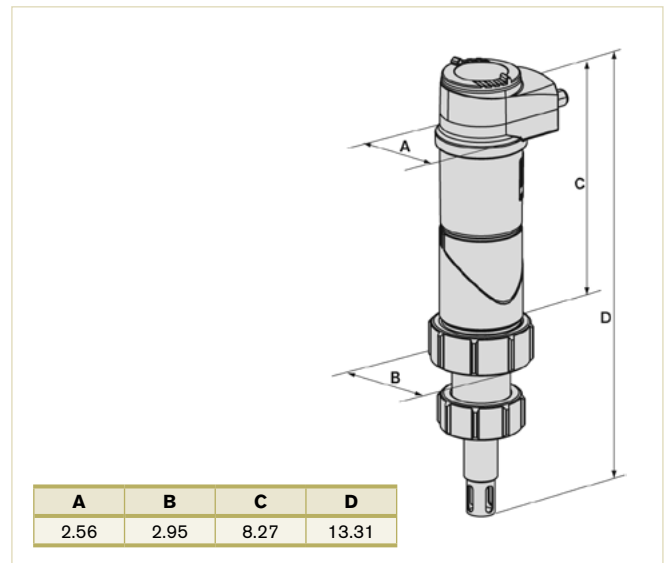
Technical Data

Measuring range	2 ... 16pH
Measuring error	± 0.02pH
Temperature compensation	Automatic via integrated temperature sensor
Temperature Performance (via integrated Pt1000)	Measuring range -40...+266 °F Measuring error ± 1.8 °F
Available Fitting Materials	Stainless, PP, PVC
Housing material	Stainless steel, PPS, PC
Insertion finger	PVDF
Gasket seal	EPDM
Max. Fluid Temperature	-40 °F...+266 °F (depending on fitting)
Max. fluid pressure	232 PSI
Ambient temperature	14 °F to 140 °F
Storage temperature	14 °F to 140 °F (without probe)
Ingress protection	IP65, IP67, NEMA4X
Voltage supply	14...36 VDC for 2-wire models 12...36 VDC for 3-wire models
Protection	Reversed polarity of DC and peak protected
Current consumption Max.	1 A Max. (with transistor load)
Electrical connections	1 x 5pin M12 male (2-wire) 1 x 5pin M12 male + 1 x 5 pin M12 female (3-wire)
Outputs	4-20 mA configurable temperature or pH 2 Transistors, configurable, open collector, 700 mA Max., 0.5 A Max. per transistor if the 2 transistor output are wired
Output Load	< 1100 Ω at 36 V < 610 Ω at 24 V < 180 Ω at 14 V

Options

- Blind version (Neutrino)

Envelope Dimensions [inch] (see datasheet for details)



Ordering Chart

Transmitter				
Wiring	Outputs	Nut	M12	Item no.
2-wire	2 x transistors + 1 x 4-20 mA	PVC	5-pin male	559 634
2-wire	2 x transistors + 1 x 4-20 mA	PVDF	5-pin male	559 636
3-wire	2 x transistors + 2 x 4-20 mA	PVC	5-pin male + female	559 635
3-wire	2 x transistors + 2 x 4-20 mA	PVDF	5-pin male + female	559 637

Electrodes (many more available from stock for other applications)	Item no.
pH electrode 0... 130 °C, 0... 6 bar, pH 0... 14 - UNITRODE PLUS pH 120mm	560 376
pH electrode 0... 80 °C, 0... 6 bar, pH 0... 14 - FLATRODE pH 120mm	561 025

Accessories (for 8202 pH and 8222 conductivity)	Item no.
display (programming puck) only	559 168
M12 5-pin female with 6' cable	438 680
M12 5-pin female connector	917 116
M12 5-pin male with 6' cable	559 177
M12 5-pin male connector	560 946