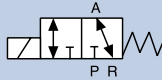


Pivot Operated 3/2 Way Universal Solenoid Valve

0330



Shown with 2508 plug



NPT 1/4", 0-85 PSI

- Universal flow function
- Isolating separating diaphragm design
- Handles slightly contaminated fluids with ease



Direct-acting 3/2 way universal function (E) solenoid valves with pivoted armature and isolating diaphragm. This flexible valve series includes many options, various body materials, diaphragm and sealing materials and a range of electrical connections to suit many applications.

Technical Data

Pressure range	0-87 PSI, Max.
Temperature media	+32 °F ... +194 °F
Ambient temperature	131 °F, Max.
Body material	Brass or Stainless steel
Seal material	FKM
Coil material	Epoxy
Power consumption	DC: 8 W, AC: 30 VA (inrush), 15 VA (hold)
Protection class	IP65, NEMA 4
Electrical Connection	2509 cable plug Form A (included)
Accreditations	UL Listed, FM Class 1, Div 2, CSA, CE
Extras	Manual override as standard

Options

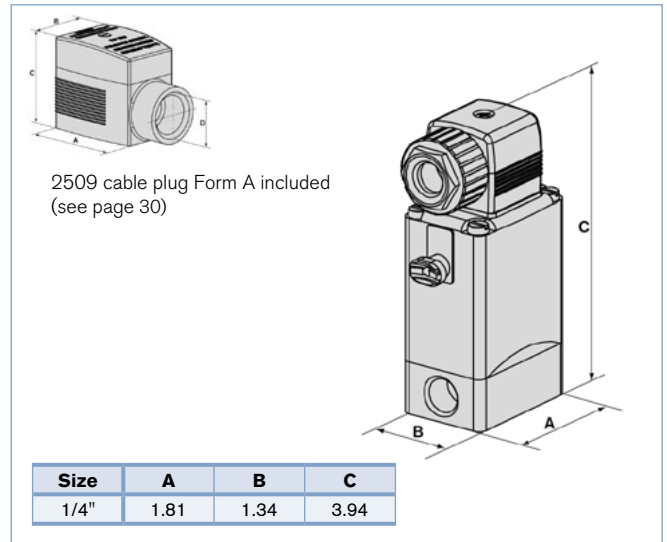
- Electrical position feedback
- Impulse coil
- Range of diaphragm seals to suit aggressive media
- Vacuum ring version
- Cable plug with conduit entry (2509)
- Cables plug with LED
- Cable plug with varistor
- Manifold mounting (Type 0331) - Class 1, Div 2 FM & CSA

Ordering Chart

Port connection [inch]	Orifice [mm]	Cv	Pressure range ¹⁾		Voltage/Frequency [V/Hz]			
			AC [PSI]	DC [PSI]	24/DC	24/60	120/60	240/60
Brass valve body								
NPT 1/4	3	0.27	0-85	0-85	453 026	453 025	453 024	98106029
NPT 1/4	4	0.33	0-42	0-42	455 055	98106031	98103075	98106034
Stainless steel valve body								
NPT 1/4	3	0.27	0-85	0-85	98103061	98108957	453 558	98108956
NPT 1/4	4	0.33	0-42	0-42	98105692	98108955	453 634	98108954

¹⁾ Pressure range for DC valves is 25% less than stated in the table.

Envelope Dimensions [inch] (see datasheet for details)



Size	A	B	C
1/4"	1.81	1.34	3.94