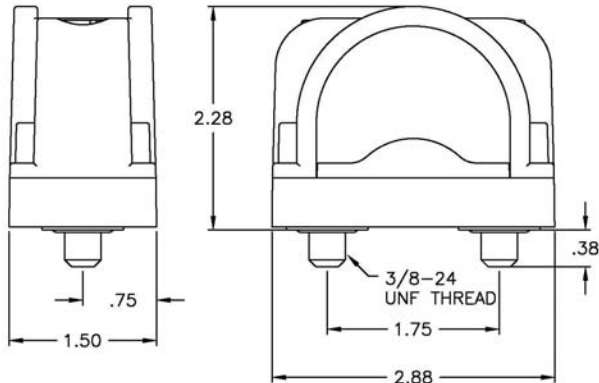


Mid-West[®] Instrument

O.E.M “Diaphragm Type” Differential Pressure Indicator Model 555

Colored bands allow you to quickly identify pressure drop across element.
Divided into three sections, each clearly marked for ease of understanding. Commonly used to indicate when to change or clean a filter. **Example:** 555A-10.0 changes from green to yellow at 5 PSID and from yellow to red at 7.5 PSID. Accuracy is $\pm 5\%$ Full Scale



| Model Number | DP Range | Transition Points | | |
|--------------|-----------|-------------------|-----------|-----------|
| | | Green | Yellow | Red |
| 555-3.5 | 0-3 PSID | 0-2.0 | 2.0-2.5 | 2.5-3.5 |
| 555-5.0 | 0-5 PSID | 0-3.0 | 3.0-4.5 | 4.5-5.0 |
| 555-10.0 | 0-10 PSID | 0-5.0 | 5.0-7.5 | 7.5-10.0 |
| 555-12.0 | 0-12 PSID | 0-6.0 | 6.0-9.0 | 9.0-12.0 |
| 555-15.0 | 0-15 PSID | 0-7.5 | 7.5-12.0 | 12.0-15.0 |
| 555-25.0 | 0-25 PSID | 0-11.0 | 11.0-18.5 | 18.5-25.0 |
| 555-30.0 | 0-30 PSID | 0-13.0 | 13.0-20.0 | 20.0-30.0 |
| 555-43.0 | 0-43 PSID | 0-19.5 | 19.5-29.5 | 29.5-43.0 |

50 Pieces per Shipment Minimum Order Quantity

OEM applications quoted. Please call with specifications.

| SPECIFICATIONS: | | Comments: |
|------------------------------|---|---|
| Pressure (Ratings) | | |
| Maximum Working | 300 PSIG | |
| Maximum Differential | 150 PSID | |
| Accuracy | $\pm 5\%$ of Rated Differential Pressure Range | Calibrated at Color Transitions |
| Operating Temperature (Max.) | 93°C (200°F) | |
| Materials of Construction | | |
| Body Material | Glass Filled Nylon (GFN) | |
| Wetted Internals | Stainless Steel, Ceramic, & GFN | |
| Elastomers | Buna | |
| Movement | Magnetic Piston and Follower Pointer | |
| Dial | Plastic Lens with 3 Color Dial | |
| INTERFACE: | | |
| Process Connection: | <p>1/4" FNPT End Connections.</p> <p>To switch HIGH and LOW pressure connections: Remove Indicator from base and rotate 180° - Retighten plastic bolts to 20-25 inch pounds.</p> | Flow Direction Identified on Dial. Arrow Points to Low Pressure Port. |