

# 9525 sc DEGASSED CATION CONDUCTIVITY SYSTEM

## Applications

- Power



## Simple to Integrate. Simple to Operate.

An integral part of a complete Power water analytics system, Hach®'s degassed cation conductivity (DCCP) system measures specific conductivity (SC), cation conductivity (CC), and degassed cation conductivity (DCC) and helps to reduce plant start-up time. This comprehensive approach saves you time on design, installation, training, maintenance, and operation.

### Reliable Measurements

A new way of monitoring based on 9523 sc + DCCP calculated pH, delivering reliable results that save you critical time and effort.

### Save Time on Maintenance and Set-Up

The degassed conductivity system is easy to install and requires low annual maintenance as well as easy set-up with cation conductivity and specific conductivity instrumentation.

### Flexible and Compact Design

The 9523 sc cation conductivity analyzer can be combined with the degassed conductivity system in a single panel or separated in order to meet the need of each customer.

### Reduce Training Complexity

A single platform minimizes time required to teach and learn product operations, getting new systems in use faster.

## Technical Data\*

<b>Dimensions (H x W x D)</b>	Degas System: 810 mm x 560 mm x 330 mm  DCCP System (optional): 810 mm x 830 mm x 330 mm
<b>Dimensions: Weight</b>	80 lbs (110 lbs for DCCP System)
<b>Power Requirements (Voltage)</b>	110 - 120 V AC
<b>Power Requirements (Hz)</b>	50/60 Hz
<b>Main Supply Voltage Fluctuation</b>	±10 % of nominal voltage
<b>Power Consumption</b>	1.6 k VA
<b>Operating Temperature Range</b>	Recommended operating temperature: 23 to 27 °C (75 to 80 °F)
<b>Ambient Temperature</b>	2 to 50 °C (36 to 122 °F)
<b>Storage Conditions</b>	0 to 50 °C (32 to 120 °F)  0 to 85 % relative humidity, non-condensing
<b>Cell Constant k</b>	0.01 cm <sup>-1</sup>
<b>Measuring Range Conductivity</b>	0.01 to 200 µS/cm

<b>Accuracy</b>	< 2%
<b>Power Requirements Controller</b>	100 - 240 V AC ±10 %, 50/60 Hz
<b>Enclosure Rating</b>	IP66 / NEMA 4X
<b>Flow</b>	100 to 150 cc/min (mL/min); 6 to 9 L/h
<b>Fitting Type</b>	Sample inlet/outlet connections: ¼ inch tube fitting
<b>Cooling Water Consumption</b>	3.8 to 11.4 L/min (1 to 3 gpm)
<b>Certifications</b>	CE, UL, CSA

Detailed specifications for the system components are available on [hach.com](http://hach.com) & in the appropriate manuals:

9523 sc Analyzer - DOC023.97.93065

SC200 Ultrapure Controller - DOC023.97.80040

8315 sc Conductivity Sensor - DOC023.97.80083

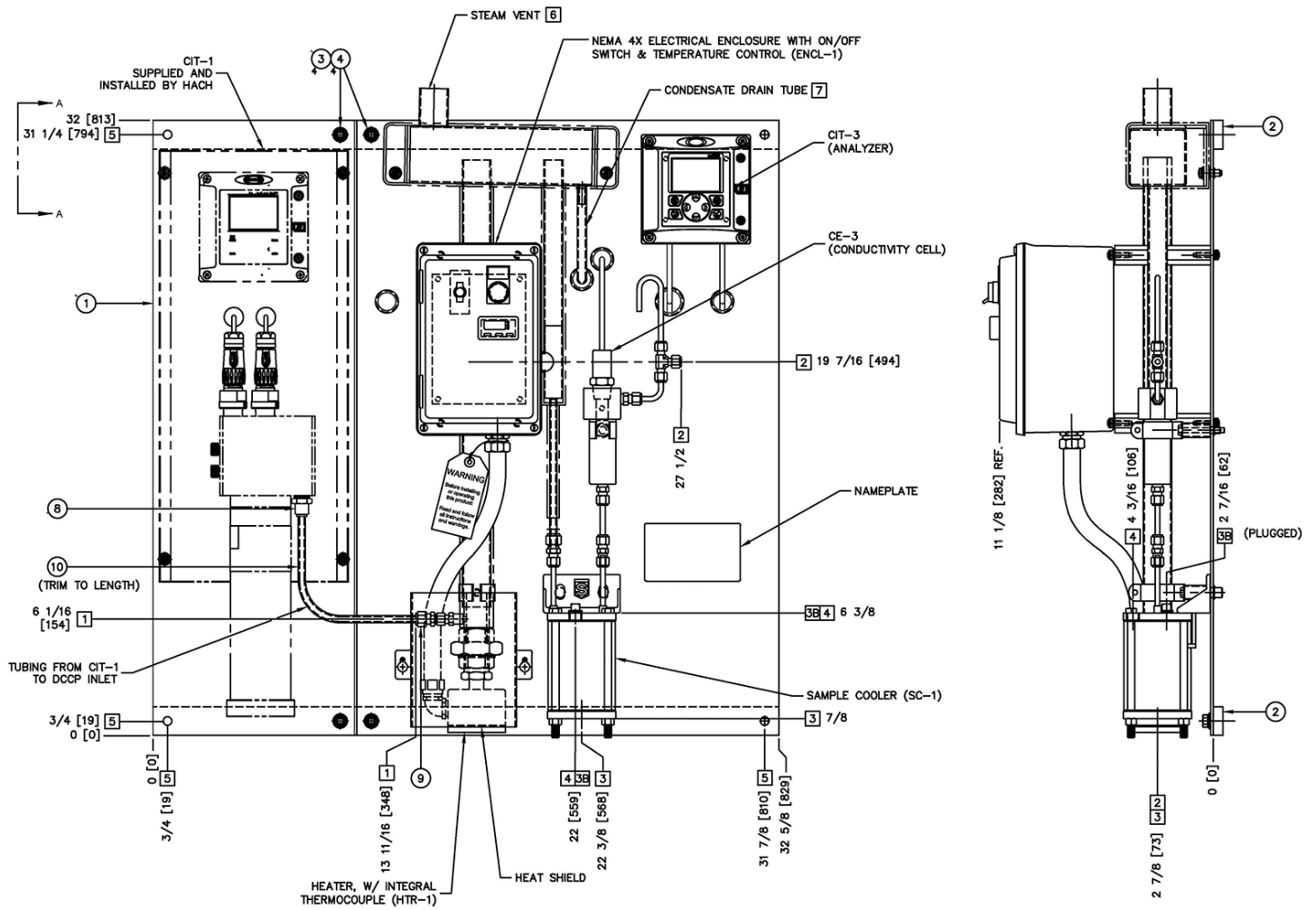
*\*Subject to change without notice.*

## Principle of Operation

The 9525 sc Degas System removes CO<sub>2</sub> and measures degassed conductivity from the sample stream. CO<sub>2</sub> gas is removed from the sample stream by heating the sample and distilling the liquid sample through the crossover section. CO<sub>2</sub> gas is removed through the steam vent, and distillate flows through the sample cooler before conductivity is measured. If the 9523 sc Cation Conductivity Analyzer is also used, the system measures specific, cation and degassed conductivity. The combine system is known as the 9525 sc Degassed Cation Conductivity (DCCP) System.

## Dimensions

In millimeter.



## Order Information

### Degas System

**9525.99.0010** 9525 sc Hach Degas System

**9525.99.10CC** KTO: Hach Degassed Cation Conductivity Panel

The Kit includes (1 ea.):

9525.99.0010 9525 sc Degas System,

9523.99.09P2 Hach 9523 sc Specific and Cationic Conductivity Analyzer, and pH Calculator, with 5x 4-20 mA Outputs, 100-240 V AC,

9525.99.7040 Degas System Extension Panel Kit

### Accessories

**9525.99.7030** Degas System Heater, 120 V

**9525.99.7040** Degas System Extension Panel Kit

**9525.99.7050** Degas Temperature Controller

**9525.99.7060** Degas System Sample Cooler

**4643600** Flow meter, 1.2 to 18 L/h, with ¼" OD tubing fittings

**694=000=001** Adjustable flow meter, 0 to 16 L/h

### Be certain in your measurements with a first class Service Partner. Be confident with Hach Service.

By having regular on-site preventative maintenance and calibration, you maximize your measurement reliability and instrument uptime. Hach Service Programs give you full assurance to keep your control of your plant process/operations, and you stay within your budget.

#### Start-Up:

Commissioning, Instruction and Training of your operating personnel to ensure you get the best performance from your instrumentation from the first day you use it.

#### Service Agreement:

Hach offers a wide range of service agreements that can be tailored to you to help maximize your measurement reliability and instrument uptime.

*Contact us to get a service offering designed for you.*

### Hach World Headquarters: Loveland, Colorado USA

United States: 800-227-4224 tel 970-669-2932 fax [orders@hach.com](mailto:orders@hach.com)

Outside United States: 970-669-3050 tel 970-461-3939 fax [int@hach.com](mailto:int@hach.com)

[hach.com](http://hach.com)

Printed in U.S.A.

©Hach Company, 2016. All rights reserved.

*In the interest of improving and updating its equipment, Hach Company reserves the right to alter specifications to equipment at any time.*



Be Right™