

Mark CFR Series

Pressure Reducing Supply Regulators

The Mark CFR Filter regulator is a pressure reducing supply regulator typically used for pneumatic and electro-pneumatic controllers, as well as other instrumentation equipment. The Mark CFR provides constant, clean air or gas supply to devices requiring reduced pressures for control.



**Mark CFR, Panel Mount
Vented Spring Case**



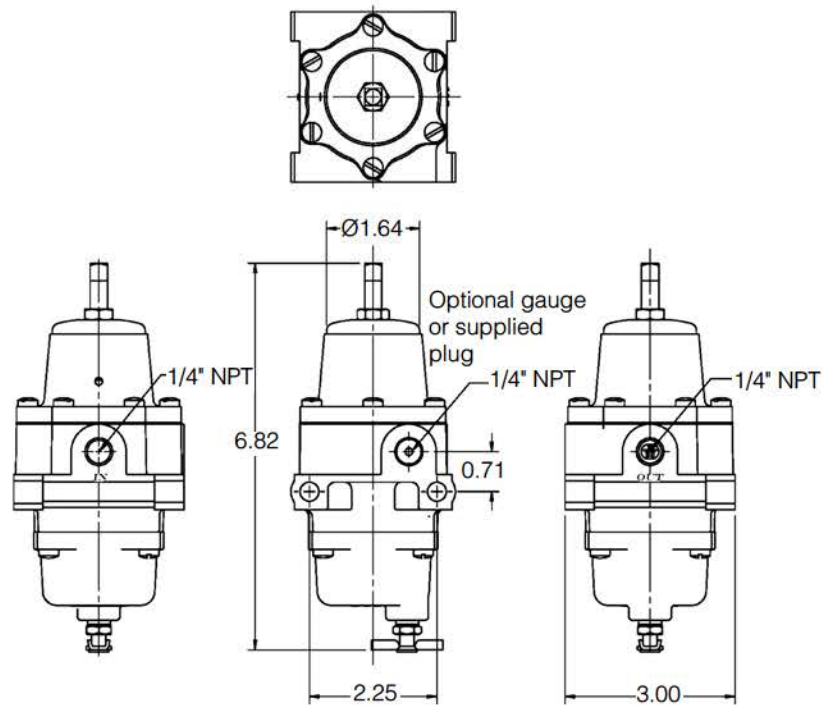
**Mark CFR Regulator with
optional gauge**

SPECIFICATIONS

Body Size and End Connection Style	1/4" NPT screwed
Maximum Allowable Inlet Pressure	250 psig (17,2 bar)
Maximum Allowable Outlet Pressure	50 psi (3,4 bar) over outlet pressure setting
Outlet Pressure Ranges	<ul style="list-style-type: none"> • 0 to 35 psig (0 to 2,4 bar) • 0 to 60 psig (0 to 4,1 bar) • 0 to 125 psig (0 to 8,6 bar)
Temperature- Nitrile Standard	-40°F to +180°F (-40°C to +82°C)
Body Materials	<ul style="list-style-type: none"> • Standard and Panel Mount • Stainless Steel is also available
Approximate Shipping Weight	1 lb (0,45 kg)

MARK CFR SERIES PRESSURE REDUCING SUPPLY REGULATORS

MARK CFR DIMENSIONS – INCHES (VENT TO ATMOSPHERE)



MARK CFR DIMENSIONS – INCHES (PANEL MOUNT, 1/4" VENTED SPRING CASE)

