

# 5500sc AMMONIA MONOCHLORAMINE ANALYZER

**Applications**  
• Drinking Water



## Chloramination made easy.

The Hach 5500sc Ammonia Monochloramine Analyzer provides all the information you need to eliminate nitrification events and taste and odor issues, giving you total confidence in your process. Oh—and it's easy, too.

### Reliability without all the work

Only Hach can offer a low-maintenance solution with a pressurized reagent delivery system, easy-to-change reagent bottles, a simple troubleshooting menu, and PROGNOSYS predictive diagnostics. You'll always know if your analyzer is doing its job, so you can do yours.

### Easy operation

It has never been easier to monitor your chloramination process online. You'll be up and running on day one with easy setup, and keep on running with at-a-glance status LEDs, a user friendly interface, color-coded reagent bottles and a simple solution for verifying your results with grab samples.

### Improved control of your chloramination process

Continuous online monitoring gives you a more accurate and complete picture of your chloramination process, allowing you to make data-driven decisions. With a dual colorimeter design, you'll get more results faster - keeping you one step ahead of nitrification.

## Technical Data\*

<b>Range</b>	0.01 to 2 ppm (as N)
<b>Parameter</b>	Total Ammonia, Monochloramine, and Free Ammonia
<b>Number of sample streams</b>	1 or 2 in programmable sequence
<b>Accuracy</b>	± 5 % or 0.01 ppm (as N) for sample temperature 5 to 40 °C (41 to 104 °F); ±10% or 0.02 ppm for sample temperature 40 to 50 °C (104 to 122 °F), whichever is greater
<b>Repeatability</b>	3 % or 0.01 ppm (as N), whichever is greater
<b>Lower Limit of Detection (LOD)</b>	0.01 ppm (as N)
<b>Response Time</b>	Within 5 minutes
<b>Reagent Consumption</b>	1L of reagents every month with 5 minute cycle time
<b>Operating Temperature Range</b>	5 to 45 °C (41 to 113 °F)
<b>Operating Humidity</b>	5 to 95 % non-condensing
<b>Sample Pressure</b>	2.5 to 87 psi (0.17 to 6.0 bar)
<b>Sample Temperature</b>	5 to 50 °C (41 to 122 °F)
<b>Sample Flow Rate</b>	100 to 1000 mL/minute
<b>Grab Sample</b>	Grab Sample In and Grab Sample Out capability
<b>Mounting</b>	Wall, panel, or table

<b>Inlet</b>	6mm OD push-to-connect fitting for plastic tubing
<b>Outlet</b>	11mm (7/16 in.) ID slip-on fitting
<b>Output</b>	Four 0/4-20 mA Outputs, load impedance 600 ohm maximum
<b>Communication</b>	4-20mA Output, Optional: Modbus RS485, Profibus DP with external controller
<b>Dimensions (H x W x D)</b>	804 mm x 452 mm x 360 mm
<b>Enclosure Rating</b>	NEMA 4X/IP56
<b>Certifications</b>	CE (EN 61326-1: 2006; EN 61010-1: 2010; EN 60529: 1991, +A1:2000 cETLus (UL 61010-1:2012; NEMA 250:2003; CSA C22.2 No 61010-1:2012) Australian RCM Marking
<b>Weight</b>	20.5 kg (45.2 lb) without reagents and standards, 30 kg (66.2 lb) with reagents, standards and cleaning solution
<b>Warranty</b>	1 year

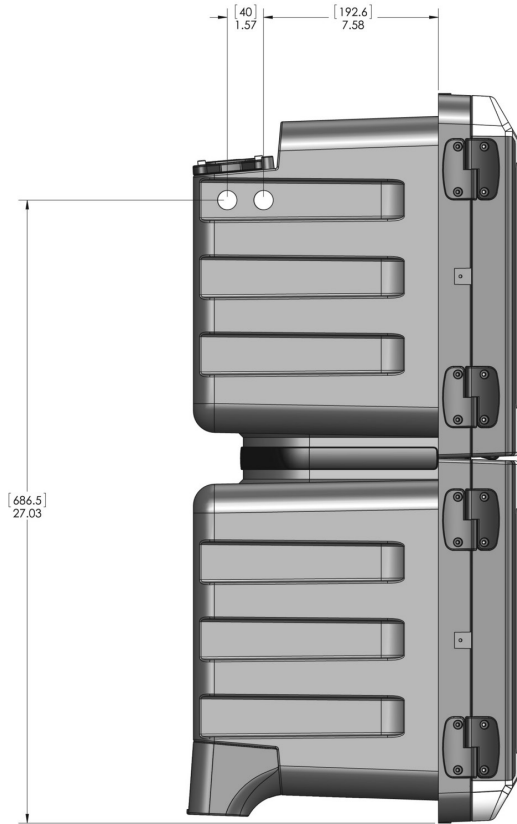
\*Subject to change without notice.

## Principle of Operation

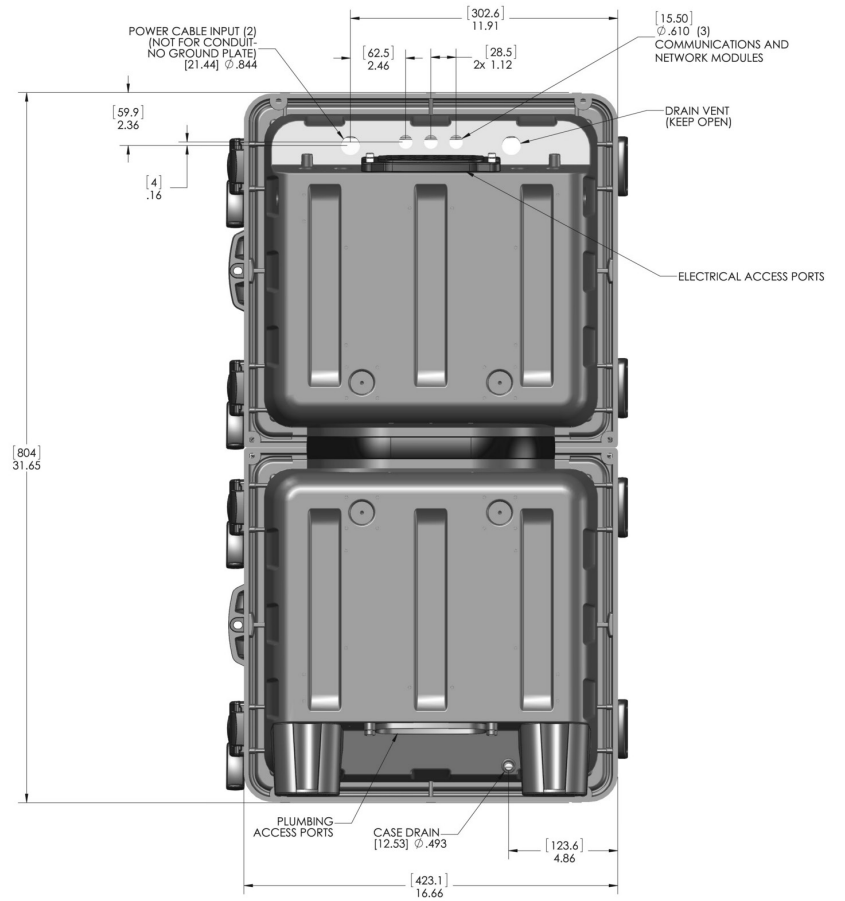
The analyzer measures total ammonia and monochloramine in drinking water and determines free ammonia concentration. The chemical analysis uses a modified phenate method to measure monochloramine values by colorimetry. An excess of hypochlorite at the correct pH generates total ammonia values measured by colorimetry. From these measurements, the analyzer calculates the free ammonia values for each measurement.

### Dimensions

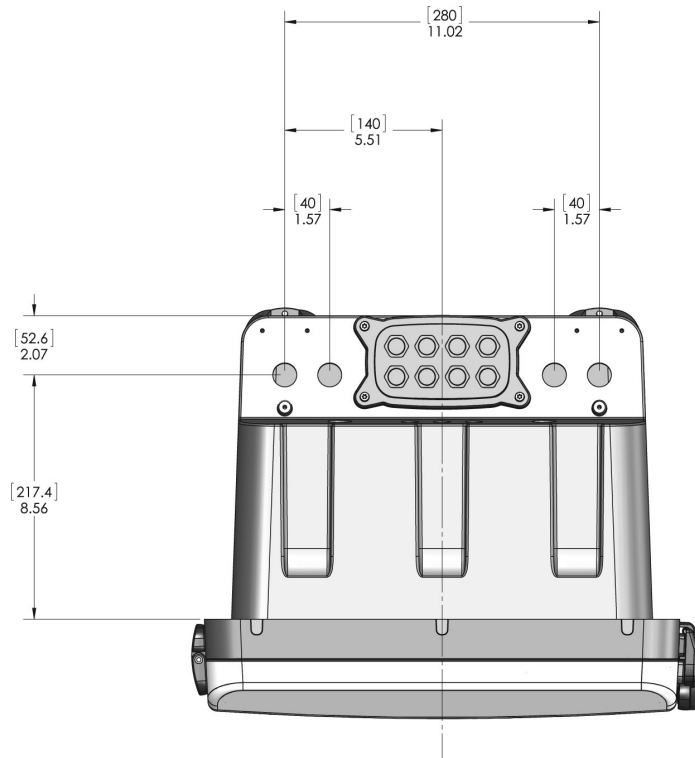
Right Side View



Rear View



Top View



## Order Information

### Instruments

<b>5500.AMC.1.KTO</b>	5500sc Ammonia Monochloramine Analyzer, 1 Channel
<b>5500.AMC.2.KTO</b>	5500sc Ammonia Monochloramine Analyzer, 2 Channel
<b>5500.AMC.3.KTO</b>	5500sc Ammonia Monochloramine Analyzer, 1 Channel with External Filter
<b>5500.AMC.4.KTO</b>	5500sc Ammonia Monochloramine Analyzer, 2 Channel with External Filter

### Reagents

<b>25233000</b>	5500sc Ammonia Monochloramine Analyzer Reagent Set
<b>25234000</b>	5500sc Ammonia Monochloramine Reagent 1, 1L
<b>25235000</b>	5500sc Ammonia Monochloramine Reagent 2, 1L
<b>25236000</b>	5500sc Ammonia Monochloramine Reagent 3, 1L
<b>25237000</b>	5500sc Ammonia Monochloramine Standard 1 (0 ppm NH <sub>3</sub> ), 2L
<b>25238000</b>	5500sc Ammonia Monochloramine Standard 2 (2 ppm NH <sub>3</sub> ), 2L
<b>25239000</b>	5500sc Ammonia Monochloramine Acidic Surfactant Wash, 2L

### Accessories

<b>9179700</b>	Power cord, North American
<b>9560501</b>	5500sc Ammonia Monochloramine Maintenance Kit, 1 Channel
<b>9560502</b>	5500sc Ammonia Monochloramine Maintenance Kit, 2 Channel
<b>25224000</b>	Colorimeter Cleaning Kit for 5500sc Ammonia Monochloramine Analyzer
<b>6792500</b>	5500sc Modbus Module Kit
<b>25277000</b>	PROGNOSYS License for the 5500sc Ammonia Monochloramine Analyzer

### Service Plan Options

<b>WRTUPG5500sc-AMC</b>	5500sc Ammonia Monochloramine Analyzer, 1 channel WarrantyPlus™ Instrument Protection and Service
-------------------------	--



### HACH COMPANY World Headquarters: Loveland, Colorado USA

United States: 800-227-4224 tel 970-669-2932 fax orders@hach.com

Outside United States: 970-669-3050 tel 970-461-3939 fax int@hach.com

[hach.com](http://hach.com)

Printed in U.S.A.

©Hach Company, 2015. All rights reserved.

*In the interest of improving and updating its equipment, Hach Company reserves the right to alter specifications to equipment at any time.*



Be Right™