

463 Bridgesensor

Signal Conditioner



Standard Features

- Complete strain gauge bridge signal conditioner
- Isolated 10 volt output
- Bridge balance with 80% tare offset capability
- Excitation supply capable of driving four load cells
- AC powered
- Rugged epoxy encapsulated design

Electrical Connections

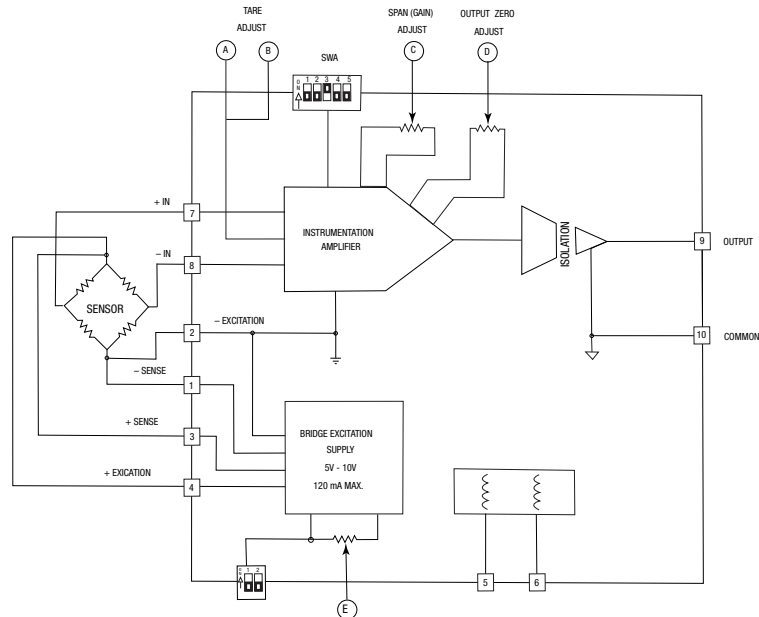
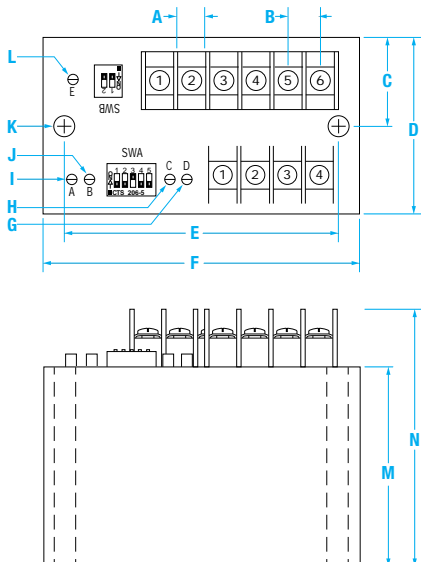
Screw Terminal	Function	Screw Terminal	Function
1	-Sense	6	AC
2	-Excitation	7	+Signal
3	+Sense	8	-Signal
4	+Excitation	9	Output
5	AC	10	Common

Part Number/Price

Part #	Description	Est. Weight	Price
46720	463 Bridgesensor, 0-10 VDC, 115 VAC	2 lb	\$715.00

Case Dimensions

A	0.32 in (8 mm) TYP	H	Span (Gain)
B	0.375 in (10 mm) TYP	I	Fine Tare
C	1.0 in (25 mm)	J	Coarse Tare
D	2.0 in (51 mm)	K	0.25 in (6 mm) Thru
E	3.25 in (83 mm)	L	Excitation Adjust
F	3.75 in (95 mm)	M	2.25 in (57 mm)
G	Output Zero	N	2.87 in (73 mm)



Specifications

Input for 10V Output:

5 mV to 50 mV

Tare Adjustment Range:

Bridge balance: -3 mV to +25 mV
Referred to input: Equals 80% F.S. of 3 mV/V to +25 mV/V

Zero Adjust:

0 or +2 Volts

Output Voltage Range:

-3 to +10 Volts

Bridge Supply:

Voltage adjustment range: 5 to 10 Volts

Load Current:

0 to 120 mA

Operating Temperature Range:

-13°F to 131°F (-25°C to 55°C)

Packaging:

Epoxy potted plastic enclosure with exposed screw terminal connections

Weight:

18 oz (510 g)

Warranty:

One-year limited warranty