

# Microwave Level Transmitter for General Application



- For liquids and bulk materials
- Rod or cable versions
- Two-wire



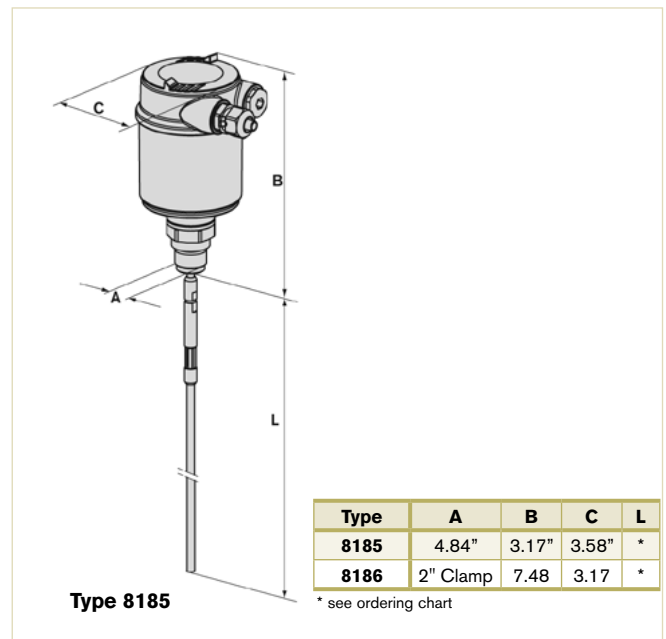
8185 / 8186

Guided radar level transmitter for aggressive media and high pressure. A sleek, compact stainless steel design incorporates a 2-wire HART transmitter which is easily PC configurable.

## Technical Data

<b>Housing / Cover</b>	PBT, Stainless steel 316L / PC
<b>Seal ring / Ground terminal</b>	NBR / Stainless steel 316Ti/316L (1.4571/1.4435)
<b>Conductor</b>	Stainless steel 316L / PTFE (Advanced PTFE 1600 PTFE)
<b>Display</b>	LCD in full dot matrix
<b>Ambient temperature</b>	-4 to 158 °F
<b>Voltage supply</b>	2-wire, 14 to 36 V DC
<b>Current consumption Max.</b>	22 mA
<b>Electrical connections</b>	Cable glands M20 x 1.5
<b>Outputs</b>	4...20 mA/HART
<b>Output Load Max.</b>	See datasheet
<b>Dead zone</b>	From top of the probe: 3" (6" with Cable ; From bottom of the probe: 0" (10" with cable)
<b>Measuring range</b>	12" to 13' with 8185 rod 3' to 105' with 8185 cable 3" to 13' with 8186
<b>Accuracy</b>	± 3mm (See drawing in datasheet)
<b>Min. Dielectric</b>	$\epsilon_r > 1.6$
<b>Process temperature</b>	-40 to 302 °F
<b>Temperature coefficient</b>	0.06% /10K
<b>Ingress protection</b>	IP66, IP67, NEMA4X
<b>Approvals</b>	CSA, CE, Optional EEx ia IIC T6

## Envelope Dimensions [inch] (see datasheet for details)



## Options

- Ex versions (part numbers are shown, please see datasheets for details)
- Other hygienic fittings

## Ordering Chart

Type	Location	Features	Type	Length *	Item no.
8185	General area	NPT 3/4" mounting thread 14-36 V DC 4-20 mA/HART	Rod	1m (3.3')	558 230
	General area	NPT 3/4" mounting thread 14-36 V DC 4-20 mA/HART	Rod	2m (6.6')	558 234
	General area	NPT 3/4" mounting thread 14-36 V DC 4-20 mA/HART	Cable	5m (16')	558 242
	General area	NPT 3/4" mounting thread 14-36 V DC 4-20 mA/HART	Cable	10m (33')	558 246
	General area	NPT 1" mounting thread 14-36 V DC 4-20 mA/HART	Rod	1m (3.3')	558 232
	General area	NPT 1" mounting thread 14-36 V DC 4-20 mA/HART	Rod	2m (6.6')	558 236
	General area	NPT 1" mounting thread 14-36 V DC 4-20 mA/HART	Cable	5m (16')	558 244
	General area	NPT 1" mounting thread 14-36 V DC 4-20 mA/HART	Cable	10m (33')	558 248
<b>Ex versions also available</b>					
8186	General area	2" Clamp	Rod	1m (3.3')	558 253
	General area	2" Clamp	Rod	2m (6.6')	558 255
	Ex	2" Clamp	Rod	1m (3.3')	558 257
	Ex	2" Clamp	Rod	2m	558 259