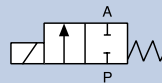


# Pivot Operated 2/2 Way Solenoid Valve

0330

## NPT 1/4", 0-145 PSI

- Isolating separating diaphragm design
- Manifold version available
- Handles slightly contaminated fluids with ease



Shown with 2508 plug

Direct-acting solenoid valve employing Bürkert's unique pivoted armature. A hermetic isolation is guaranteed by this ground-breaking design. Shown is the threaded version. The valve is also available in manifold mount as the Type 0331.

### Technical Data

<b>Pressure range</b>	0-145 PSI, Max.
<b>Temperature media</b>	+14 °F ... +194 °F
<b>Ambient temperature</b>	131 °F, Max.
<b>Body material</b>	Brass or Stainless steel
<b>Seal material</b>	FKM
<b>Coil material</b>	Epoxy
<b>Power consumption</b>	DC: 8 W, AC: 30 VA (inrush), 15 VA (hold)
<b>Protection class</b>	IP65
<b>Electrical Connection</b>	2509 cable plug Form A (included)
<b>Accreditations</b>	CSA, UL recognized, CE
<b>Extras</b>	Lockable manual override

### Options

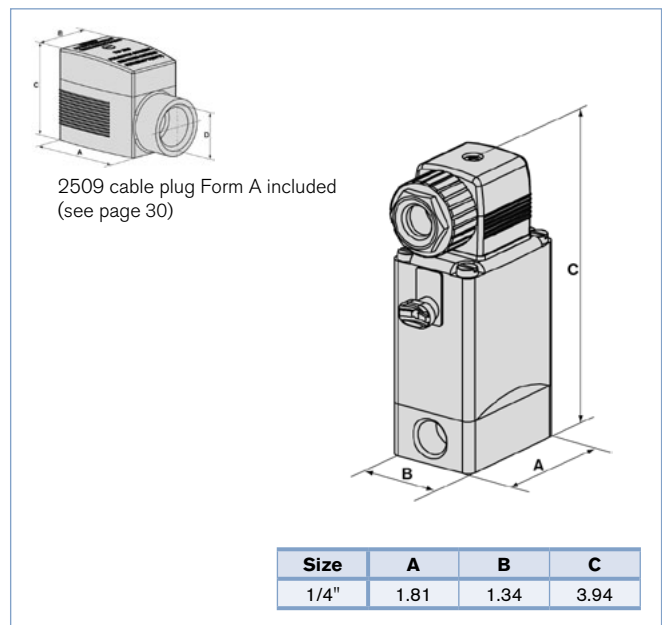
- Three way versions (page 26)
- Electrical position feedback
- Impulse coil
- Range of diaphragm seals to suit aggressive media
- Vacuum version
- Cable plug (2508)
- Cables plug with LED
- Cable plug with varistor
- Manifold mounting (Type 0331)
- CSA Class 1 Div 2
- FM Class 1 Div 1

### Ordering Chart

Port connection [inch]	Orifice [mm]	Cv	Pressure range <sup>1)</sup> [PSI]	Item no. Voltage/Frequency [V/Hz]			
				24 V DC	24 V/60 Hz	120 V/60 Hz	240 V/60 Hz
<b>Brass valve body (normally closed)</b>							
NPT 1/4	3	0.27	0 - 145	98104311	464 263	98110860	453 228
NPT 1/4	4	0.33	0 - 72	92708646	453 019	92708649	98100331
<b>Stainless steel valve body (normally closed)</b>							
NPT 1/4	3	0.27	0 - 145	92708647	464 264	92705193	464 265
NPT 1/4	4	0.33	0 - 72	92708648	453 022	92708650	464 266
<b>Brass valve body (normally open)</b>							
NPT 1/4	3	0.27	0 - 145	458 971	453 025	458 973	464 267
NPT 1/4	4	0.33	0 - 72	458 975	464 268	458 977	98106034
<b>Stainless steel valve body (normally open)</b>							
NPT 1/4	3	0.27	0 - 145	458 983	98108957	458 973	464 269
NPT 1/4	4	0.33	0 - 72	458 987	464 270	458 989	464 271

<sup>1)</sup> Pressure range for DC valves is 25% less than stated in the table.

### Envelope Dimensions [inch] (see datasheet for details)



Size	A	B	C
1/4"	1.81	1.34	3.94