

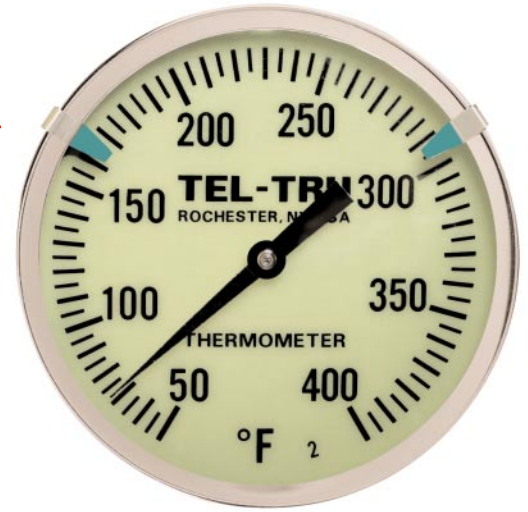


TEL-TRU MANUFACTURING COMPANY GLOW DIAL/REFLECTIVE BIMETAL THERMOMETERS

Use when Visibility, Easy Access and Safety Matter--
Easy-to-read in low light conditions!

GLOW DIAL AND REFLECTIVE THERMOMETER:

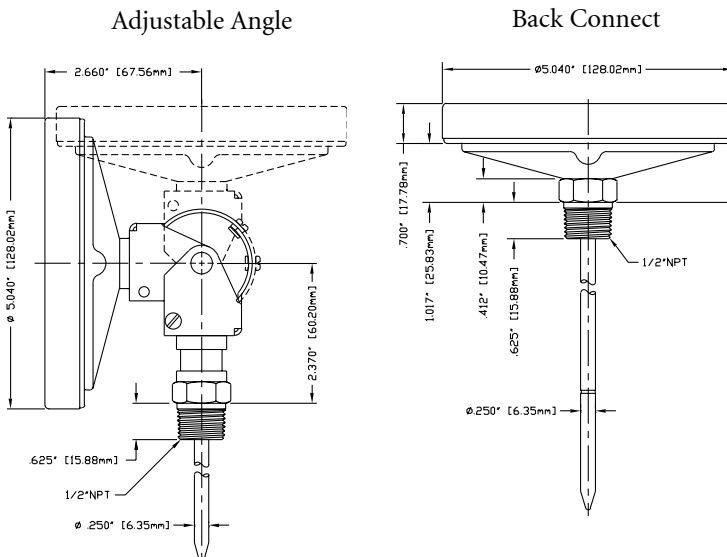
- ★ 5" Adjustable Angle or Back Connect
- ★ REFLECTIVE POINTER
- ★ TWO REFLECTIVE CLIPS snap onto the dial rim. You decide where you want to set each reflective clip-- minimum *and* maximum limits can be indicated which allow for on the spot customization.



US Patent No.: 6,415,672 B1

This remarkably easy solution permits anyone viewing the thermometer, up close in the *light of day* or *far away at night*, to easily see if the process is operating within the designated safe zone. The thermometer can be read from a distance in low light conditions; **all you need is a flashlight!**

► THERMOMETER OPTIONS:



Thermometer Dial Type	Connection Type	Model Type	Model Code
5" Glow Dial with Reflective Pointer and Clips	Back	UT500	621T
	Adjustable	UT575	641T
5" Aluminum Dial with Reflective Pointer and Clips	Back	UT500	6210
	Adjustable	UT575	6410

1" and 1 3/8" dial pocket thermometers are also available with glow dial, no clips.



TEL-TRU'S LUMINESCENT GLOW DIAL AND REFLECTIVE THERMOMETER

► SPECIFICATIONS:

- Stem Lengths: 2½", 4", 6", 9", 12", 15", 18" and 24" (available up to 120").
- Stem Diameter: .250" standard up to 42" stem and .375" standard over 42" stem.
- Connection: ½" NPT.
- Construction: 304 stainless steel external parts. Welded construction. Corrosion resistant to most chemicals.
- Hermetic seal: Per ASME B40.3 dustproof and leakproof.
- Dial: Glow dial is luminescent polycarbonate.
- Pointer and Clips: *Pointer:* Aluminum alloy with highly reflective material.
Clips: 304SS with highly reflective material.
- Lens: Glass.
- Bimetal Coil: Helix coil is silicone coated on ranges below 500°F for vibration dampening and to optimize heat transfer and response time.
- Accuracy: ±1% full span per ASME B40.3 Grade A. Adjustment of the angle between case and stem may affect accuracy up to 0.5% of span (ASME B40.3).

► STANDARD TEMPERATURE RANGES:



5" GLOW DIAL with REFLECTIVE CLIPS and POINTER:



5" ALUMINUM DIAL with REFLECTIVE CLIPS and POINTER:

Range	°/Div.	Code
0/250°F	2°	67
0/300°F	5°	57
0/500°F	5°	58
20/240°F	2°	59
50/300°F	2°	62
50/400°F	5°	63
50/500°F	5°	64
50/550°F	5°	68
-50/120°F, -45/50°C	2°, 1°	25
-40/160°F, -40/70°C	2°, 1°	02
0/250°F, -20/120°C	2°, 2°	14
50/500°F, 0/250°C	5°, 2°	09
0/100°C	1°	76
0/150°C	1°	77
0/200°C	2°	78
0/250°C	2°	79

Note: 550°F is maximum Glow Dial temperature range

Range	°/Div.	Code
0/250°F	2°	67
0/300°F	5°	57
0/500°F	5°	58
20/240°F	2°	59
50/300°F	2°	62
50/400°F	5°	63
50/500°F	5°	64
50/550°F	5°	68
150/750°F	10°	65
200/1000°F	10°	66
-50/120°F, -45/50°C	2°, 1°	25
-40/160°F, -40/70°C	2°, 1°	02
0/250°F, -20/120°C	2°, 2°	14
50/500°F, 0/250°C	5°, 2°	09
0/100°C	1°	76
0/150°C	1°	77
0/200°C	2°	78
0/250°C	2°	79



Tel-Tru Manufacturing Company

408 St. Paul St., Rochester, New York 14605 USA

Phone: 585-232-1440 • 800-232-5335 • Fax: 585-232-3857 • E-mail: info@teltru.com • Web: www.teltru.com

Part Number GDSHT0802