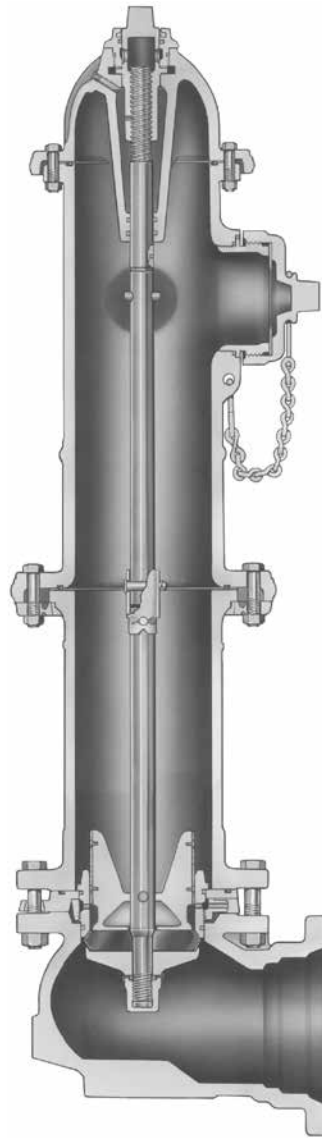


### Mueller® Super Centurion® Fire Hydrant

Since its introduction in 1976, millions of Centurion fire hydrants have been installed throughout North America. There are a number of reasons the Mueller line of Centurion hydrants is the most widely sold brand. The Centurion hydrant is designed to provide years of reliable service. It's flow characteristics make it one of the best performing hydrants available. If service is ever needed, the process is simple and the parts readily available. Perhaps most important, Mueller Co. is always there to back what it sells. Simply, the Centurion hydrant has no peer.

- **Pressure Ratings** – standard max. working pressure 250 psig (1725 kPa/17 barg), optional 350 psig (2400 kPa/24 barg). Test pressures 500psig (3450 kPa/35 barg) and 700 psig (4800 kPa/48 barg) respectively.
- **Anti-Friction Washer** – Acetal washer on standard 250 psig hydrant; roller bearing on option 350 psig - helps assure easy operation for life of the hydrant.
- **Hold-Down Nut** – designed to discourage unauthorized removal of parts. Integral weather seal is UV resistant and protects operating nut from freezing. O-ring below weather seal provides second level of protection against water entry into bonnet.
- **Oil Filler Plug** – permits quick check of oil level and oil to be added if necessary without bonnet removal.
- **Sealed Oil Reservoir** – O-ring sealed to prevent leakage. Factory filled with FDA approved oil that remains liquid year around. Unique design automatically lubricates stem threads and bearing surfaces each time hydrant is opened.
- **Stainless Steel Stem Coupling** – pulls free if hydrant is hit by a vehicle preventing damage to stem and main valve. Coupling will not break into pieces that could drop into lower barrel and affect valve operation. Top of lower stem is below top of lower barrel so a tire cannot depress it and open main valve. Repair is easy and economical.
- **Traffic Flange** – breaks cleanly to help prevent traffic damage, yet strong enough to withstand normal handling. Allows economical repair, adding extension section, rotation or changing of upper barrel without digging or water shut-off.
- **Bronze Upper Valve Plate** – conical shape for smooth efficient flow.
- **Drain Valve Fittings** – specially designed, long-life facings provide effective sealing.
- **O-ring Seals at Bonnet, Ground, and Shoe Flanges** – for better leak resistance, easier maintenance.
- **Full Flow Openings** – large radius hose and pumper nozzle openings produce low friction loss, superior performance.



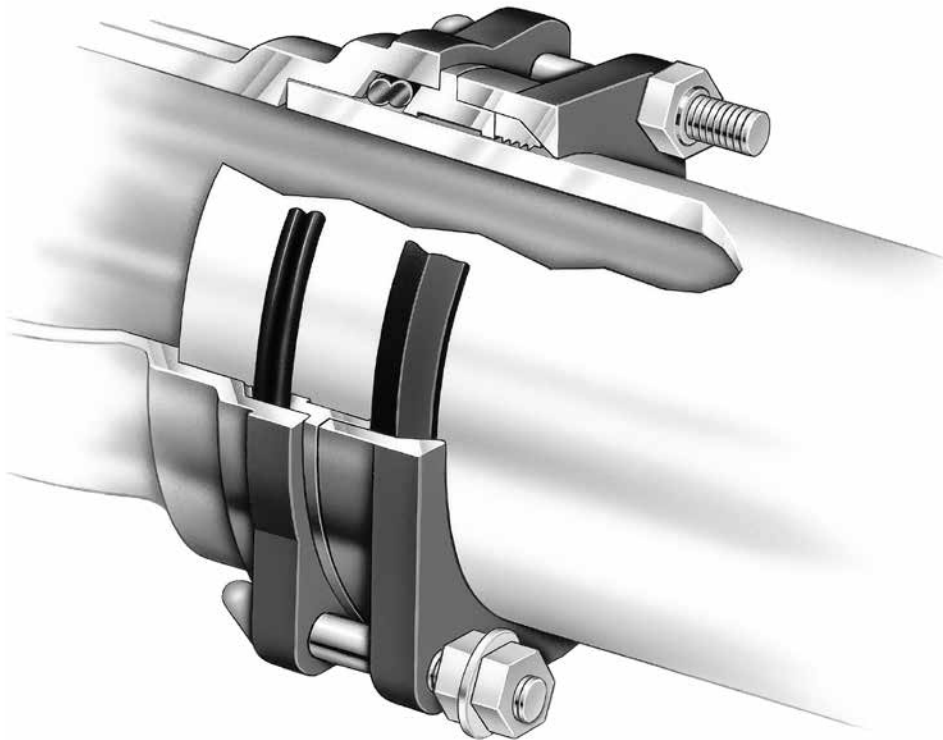
*Modern Centurion® Style with similar features available. See page A-1-3 for ratings.*

- **Field Replaceable Nozzles** – O-ring sealed and threaded in place, hose and pumper nozzles are easily replaced. Securely retained by stainless steel locks.
- **Electro-Galvanized Bolts and Nuts** – provide corrosion protection.
- **Non-Kinking Chains** – heavy duty and securely attached to hydrant. Special loops permit nozzle caps to turn freely.
- **Bronze Seat Ring** – threaded into BRONZE DRAIN RING and O-ring sealed. Easily removed or installed from above ground. Double drain openings are force flushed each time hydrant is opened or closed, keeping them open for effective barrel drainage. Bronze drain valves are integral parts of main valve assembly.
- **Patented, Reversible, Compression-Type Main Valve** – closes with pressure for positive seal. Rubber material has long service life, yet is reversible providing a convenient spare in place - 350 option includes internally reinforced Main Valve for higher pressure holding capability (both Main Valves are interchangeable).
- **Sealed Lower Stem Threads** – protected from corrosion for easier disassembly. Mueller HP® Epoxy Coated cap nut with rubber gasket and stainless steel lock washer, shields threads from water.
- **Shoe Designed for Maximum Flow and Easy Installation** – smooth transitional contours, extended neck and integral anti-rotation pads that allow use of standard tee-head bolts. Shoe interior is covered with Mueller HP® Epoxy coating, creating a tough corrosion-resistant barrier to chemicals, physical impact and electrical currents. Integral blocking pads on bottom and back. Integral stem stop.
- **Certified Performance** – meets or exceeds requirements of ANSI/AWWA C502 Standard, and UL 246 and FM 1510 specifications. Certified to ANSI/NSF 61.
- **10-Year Limited Warranty** – assured reliability (see separate Mueller Warranty document for terms).
- **Security Options** – selection of options to secure hydrant against unauthorized operation or access to hydrant interior.

**SUPER CENTURION  
FIRE HYDRANT WITH  
AQUAGRIP® SYSTEM**

**Mueller® Hydrant with Aqua-Grip System**

The Mueller Aqua-Grip System is offered on Super Centurion 250™ and Super Centurion 200 and Modern Centurion fire hydrants. This Mueller exclusive system combines both the compression connection and the pipe restraint system in one convenient, quick installation package. This eliminates the need for anchor couplings, tie rods or separate gland-type restrains. The Aqua-Grip connection uses fewer bolts than a conventional mechanical joint end, and substantially fewer than a gland-type restraint, significantly reducing installation time. This “labor saving” system is also available on Mueller Series 2361 Resilient Wedge Gate valves.



- **Accepts Various Types of Pipe** – DIPS style fits DI, C900 PVC and DIPS PE pipe. IPS style fits PVC, IPS PE and steel pipe. No disassembly or adapters, and no special pipe end preparation. Liner for PE pipe (DR9-DR17) is required.
- **Fully-Assembled Stab Connection** – arrives ready to insert the pipe, tighten the bolts and it's done. No need to change-out, add or remove parts. Nothing additional to inventory or handle in the field. No extra bolts to assemble or tighten. Substantially reduces labor and inventory costs.
- **Visually Shows When Properly Tightened** – breakaway nuts snap off using a standard wrench. No special torque requirements. Inner nut remains in place to allow future access to connection, if required. Reduces crew training and saves installation time. (In illustration, lower nut shown before tightening, upper one after.)
- **Pressure-Responsive O-ring Seal** – unique double O-ring uses hydrostatic pressure from inside the pipe to enhance the seal as line pressure increases.
- **Full Circumferential Restraint** – gripper ring encircles pipe for uniform grip without creating points of high stress in pipe wall that could contribute to pipe failure.
- **Installs in Wet Conditions** – no special field conditions required, even installs under water.
- **Ductile Iron Construction** – hydrant shoe and the Aqua-Grip System components.
- **Plus All of the Other Features of the Centurion Hydrant**

## FIRE PROTECTION PRODUCTS

**Super Centurion 250:** 250 p.s.i. (1725 kPa/17 barg) Working Pressure - 500 p.s.i. (3450 kPa/35 barg) Test Pressure.  
**Super Centurion 350:** 350 p.s.i. (2400 kPa/24 barg) Working Pressure - 700 p.s.i. (4800 kPa/48 barg) Test Pressure.  
**Super Centurion 200:** 200 p.s.i. (1400 kPa/14 barg) Working Pressure - 400 p.s.i. (2800 kPa/28 barg) Test Pressure.  
**Modern Centurion:** 175 p.s.i. (1200 kPa/12 barg) Working Pressure - 350 p.s.i. (2600 kPa/26 barg) Test Pressure.

### Underwriter Laboratories (UL) Listed/Factory Mutual (FM) Approved/AWWA C502 Hydrants

Nominal Size of Main Valve Opening	2-way		3-way						4-way			
	Two 2-1/2" Hose Nozzles		Two Hose Gate Valves		Two 2-1/2" Nozzles and One Pumper Nozzle			Two Hose Gates and One Pumper Nozzle		Three Hose Gate	Four Hose Gate Valves	Three Hose Gate Valves and One Pumper Nozzle
	Super Centurion 200	Modern Centurion	Super Centurion 200	Super Centurion 250	Super Centurion 350	Modern Centurion	Super Centurion 250	Modern Centurion	Super Centurion 250	Super Centurion 250		
4-1/2"	A-433	-	A-433 w/ option 370	A-421	A-421 w/ option 892	-	A-421 w/ option 370	-	-	-	-	-
5-1/4"	A-435	A-443	A-435 w/ option 370	A-423	A-423 w/ option 892	A-444	A-423 w/ option 370	A-446	A-454 w/ option 370	A-455 w/ option 370	A-458 w/ option 370	

### The following models are listed by Underwriters Laboratories, Inc.

(FM does not recognize 3 and 4 hose hydrants without hose gate valves or hydrants with 2 pumpers)

Nominal Size of Main Valve Opening	3-way		4-way		
	Three 2-1/2" Hose Nozzles		Four 2-1/2" Hose Nozzles	Three 2-1/2" Hose and One Pumper Nozzle	Two 2-1/2" Hose and two Pumper Nozzle
	Super Centurion 250				
5-1/4"	A-454		A-455	A-458	A-459

Hydrant bury lengths are as follows: 1' 6", 2'0", 2'6", 3'0", 3'6", 4'0", 4'6", 5'0", 5'6", 6'0", 6'6", 7'0", 7'6", 8'0", 8'6", 9'0", 9'6", 10'0".

Note: Longer buries are available.



Super Centurion



Super Centurion with Hose Gate Valves



Modern Centurion

#### Aqua-Grip Inlet

This is a stab-in compression connection with integral restraint. The connection is supplied fully assembled with all necessary hardware and O-ring seal in place, ready for installation. Two Styles: DIPS fits DI, C900 PVC and DIPS PE pipe. IPS fits IPS PVC, IPS PE and steel pipe.

#### Mechanical Joint Inlet

For use on Ductile Iron, C900 PVC and Cast Iron pipe with end dimension compliant with ANSI/AWWA C11. Furnished with the connecting gland, plain rubber gasket, and bolts and nuts, unless otherwise specified. Inlet has two strapping lugs. Can also be furnished on order with set screws in the gland for bonding.

#### Mueller D-150

##### Mechanical Joint Inlet

This is an enlarged connection suitable for use with class 150 Cast Iron pipe or Class D Pit Cast pipe by using one of two type gaskets available. For Class 150 Cast Iron pipe use Duck Tipped gasket. For Class D Pit Cast pipe use Plain Rubber gasket. Complete with gland, cast iron bolts and nuts, and gasket specified. These gaskets and glands will not interchange with those on the Standardized Mechanical Joint. Can be furnished with set screws in the gland for electrical bonding upon order. Inlet has two strapping lugs.

#### Slip-On® Joint Inlet

The Slip-on ends fit plain end of classes 150, 200 and 250 cast iron; ductile iron and classes 150 and 200 cast iron O.D. PVC. Classes 150, 200 and 250 manufactured to ANSI A21.6 and ANSI A21.8 including the plain end of all makes of cast iron pipe of the slip connection type. Inlet has two strapping lugs. The regular Slip-On gasket may be ordered.

#### Flanged Inlet

For flanged end pipe or when used with a flanged end auxiliary gate valve. The flange is faced and drilled to the 125 lbs. American Standard - ANSI B16.1. Option for ISO drilling available (PN 10/16).

Size of Hydrant	Sizes and Types of Inlet Connections				
	Flanged	Mechanical Joint	D-150 Mechanical Joint	Slip-On	AquaGrip
4-1/2"	6"	6"	6"	6"	6"
5-1/4"	6"	6", 8"	6"	6"	6"

NOTE: 4" inlet shoes are available in FL and MJ configurations, but are NOT UL/FM LISTED.

## Mueller® Centurion® Fire Hydrant with Integral Storz Connection

Now any Mueller Centurion Hydrant (traditional or Modern style), can be ordered with an integral Storz connection on the pumper nozzle. The nozzle can also be ordered separately to retrofit hydrants in the field.

The Storz connection allows the fire department to connect its pumper hose to the hydrant with a quick, quarter-turn action. The action is fast and smooth so firefighters can get to their tasks quickly without the thread alignment, cross threading, or leakage problems sometimes associated with threaded connections.

The Storz option is available for 4" or 5" pumper nozzles on any Centurion 200, 250, or Modern hydrants. Mueller hydrants retain their UL Approval, FM Listing, AWWA Compliance and published pressure rating when ordered with the Storz option. Hydrants are also compliant with NFPA 1963.

When ordering the integral Storz pumper nozzle, it is no longer necessary to provide an option number on the order. On the order, state the 'Storz' size, and locking or non-locking caps.

### Storz Adaptors

Mueller Co. also offers a 5" Storz adaptor for connection to 4-1/2" NST nozzles.

Mueller Storz adaptors feature the same caps used on the integral Storz nozzle and meet the requirements of NFPA 1963. Mueller Storz adaptors are rated for 250 psi operating pressure.



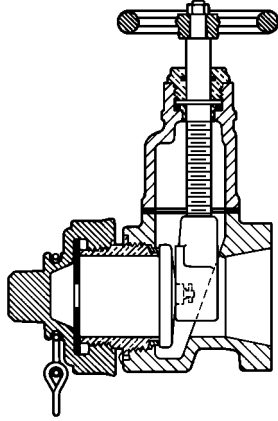
## Mueller Centurion Fire Hydrant in a monitor style

The popular Mueller Super Centurion 250™ Fire Hydrant is now available in a monitor style. The integral monitor elbow eliminates a possible leak path that could exist if a separate monitor nozzle were to be added to the hydrant as an attachment. For ease of maintenance, all parts are interchangeable with the Mueller Super Centurion 250 hydrant.

- Meets or exceeds all applicable parts of AWWA C 502, UL246 and FM1510.
- 250 psi working pressure (1725 kPa, 17 barg).
- 500 psi test pressure (3450 kPa, 34 barg).
- Full flow 4 way openings: 4" monitor elbow, 1-4-1/2 pumper nozzle, 2-2-1/2 hose nozzles.
- Sealed oil reservoir with automatic pressure lubrication.
- Bronze-to-bronze seat mounting.
- Reversible main valve provides a convenient spare in place.
- Shoe interior epoxy coating meets AWWA C550.
- Shoe with choice of 6" MJ, Flange, D150, Slip-on, or our unique AquaGrip™ System with integral restraint.



## A-373 UL Listed/FM Approved



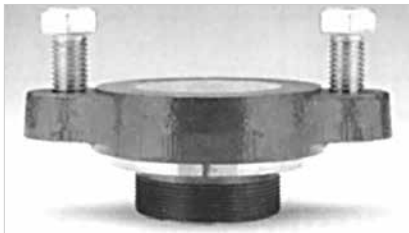
**Iron Body:** Bronze Mounted Type with Nozzle Cap and Chain

**A-373:** Inlet 2-1/2", flanged for bolting to fire hydrant (UL listed and FM approved)

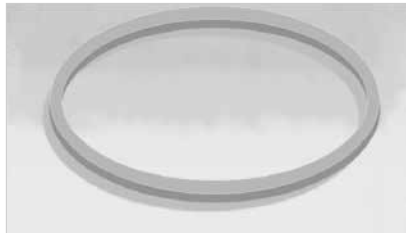
175 psi (1200 kPa/12 barg) Working Pressure  
350 psi (2400 kPa/24 barg) Test Pressure

Order by Quantity, Catalog Number, Color, Outlet Threading, Size and Shape of Nut on Hose Nozzle Cap.

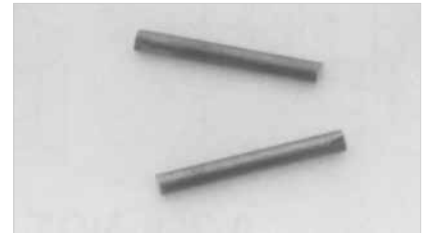
These hose gate valves are available for both Super Centurion<sup>®</sup> and Modern Centurion<sup>®</sup> fire hydrants. When ordering the A-373 valve, the following items are also necessary.



**Catalog Number 143528**  
Hose Gate Flange Adaptor



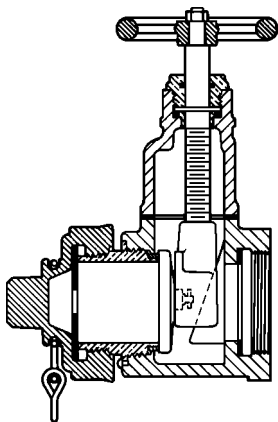
**Catalog Number 193631**  
Hose Gate Gasket



**Catalog Number 170776**  
Brass Pins

**Catalog Number 192606**  
Bolts (2 required)

## A-369 Not UL Listed or FM Approved



**Iron Body:** Bronze Mounted Type with Nozzle Cap and Chain

**A-369:** Inlet - Hose thread to be specified by customer.

175 psi (1200 kPa/12 barg) Working Pressure  
350 psi (2400 kPa/24 barg) Test Pressure

Order by Quantity, Catalog Number, Color, Outlet Threading, Inlet Threading, Size and Shape of Nut on Hose Nozzle Cap.

**FIRE HYDRANT  
REPAIR KITS****FIRE PROTECTION PRODUCTS****Bonnet Repair Kit****Bonnet Repair Kit consists of:**

- (1) Weather seal
- (1) Hold down nut O-rings
- (1) Bonnet O-rings
- (1) Bonnet/Upper barrel O-ring
- (1) Anti-friction washer
- (1) Bonnet flange gasket
- (2) Stem O-rings
- (1) 10.5 oz. Hydrant lubricating oil
- (1) Instruction sheet

**Kit catalog number**

4-1/2" M.V.O.	5-1/4" M.V.O.
280355	280355

**Main Valve Repair Kit****Main Valve Repair Kit consists of:**

- (1) Top seat O-rings
- (1) Bottom seat O-rings
- (1) Main valve (reversible)
- (1) Lower valve plate (reversible)
- (1) Cap nut seals
- (1) Bronze seat ring
- (1) Instruction sheet

**Kit catalog number**

4-1/2" M.V.O.	5-1/4" M.V.O.
280358	280359

**Extension Kit****Extension Kit consists of:**

- (1) Stem
- (1) Barrel
- (1) Stainles steel extension stem coupling
- (1) Extension flange
- (1) Bonnet/Upper barrel O-ring
- (1) Bonnet gasket
- (1) Safety Flange gasket
- (1) Safety Flange O-ring
- (8) Bolts and nuts
- (2) Clevis pins
- (3) Cotter pins
- (1) Instruction sheet
- (1) 10.5 oz. hydrant lubricating oil
- Extension lengths: 0'-6", 1'-0", 1'-6", 2'-0", 2'-6", 3'-0", 3'-6", 4'-0", 4'-6", 5'-0"

**Kit catalog number**

4-1/2" M.V.O.	5-1/4" M.V.O.
A-319	A-320

**Traffic Flange Repair Kit****Traffic Flange Repair Kit consists of:**

- (1) Traffic flange
- (1) Bonnet gasket
- (1) Traffic Flange gasket
- (8) Traffic flange bolts and nuts
- (1) Traffic flange O-ring
- (1) Bonnet/Upper barrel O-ring
- (1) 10.5 oz. hydrant lubricating oil
- (1) Stainless steel safety stem coupling
- (2) Clevis pins
- (3) Cotter pin
- (1) Instruction sheet

**Kit catalog number**

4-1/2" M.V.O.	5-1/4" M.V.O.
A-300	A-301

**Shoe Repair Kit****Shoe Repair Kit consists:**

- (2) Drain valve facings
- (4) Drain valve facing screws
- (1) Drain ring housing gasket
- (1) Top seat O-ring
- (1) Bottom seat O-ring
- (1) Drain ring housing O-ring
- (1) Main valve (reversible)
- (1) Lower valve plate (reversible)
- (1) Cap nut seal
- (1) Lock washer
- (6) Shoe bolts and nuts
- (2) Drain ring bolts and nuts
- (1) 10.5 oz. hydrant lubricating oil
- (1) Instruction sheet

**Kit catalog number**

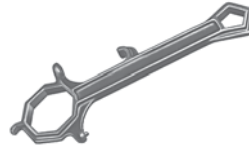
4-1/2" M.V.O.	5-1/4" M.V.O.
280356	280357



**BRASS SLEEVE** – Protects O-rings from being damaged by stem threads when removing the housing from the upper stem for any reason.

**A-367 - 7" Brass Sleeve**  
**A-368 - 14" Brass Sleeve**

To order specify - Quantity and Catalog Number.



**OPERATING WRENCH** – Used to operate nozzle caps, pin type and lug type hose couplings, hydrant operating nut and hold-down nut.

**A-311 Operating Wrench**

To order specify - Quantity, Catalog Number, Size and Shape of Operating Nut.



**A-359-00**

**SEAT WRENCH** – Universal fit, used to remove main valve and seat ring from bonnet level or ground line. Wrench self-centers on barrel flange. Used on Centurion models (Spin-In, Super 200 and 250).

**A-359-00 Seat Wrench**

To order specify - Quantity, Catalog Number, Size and Shape of Operating Nut. For Modern Centurion use A-359.



**A-359**

**SEAT WRENCH ---**

Universal fit, used to remove main valve and seat ring from bonnet level or ground line. Wrench self-centers on barrel flange. Used on all Centurion, Modern and 107® Hydrants.

**A-359 Seat Wrench**

To order specify - Quantity and Catalog Number.



**NOZZLE WRENCH** – Used to remove and install hose and pumper nozzles. Separate wrenches for each nozzle size - 2-1/2", 3", 4"\*.

**A-316 Nozzle Wrench**

To order specify - Quantity, Catalog Number, and Size.

\*4" wrench also fits 4-1/2" nozzle.



**HYDRANT LUBRICATING OIL** –

This special all weather oil flows freely through a temperature range of -60° F to +150° F. The container contains 10.5 oz. of oil. FDA approved.

**A-51 Lubricating Oil**

To order specify - Quantity and Catalog Number.

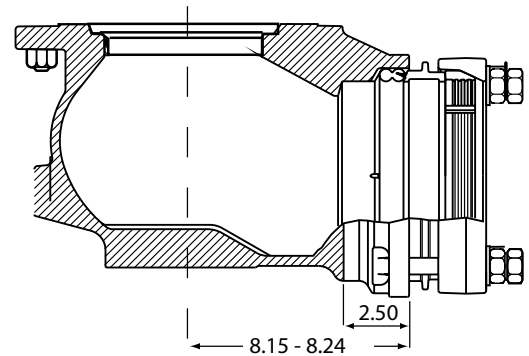
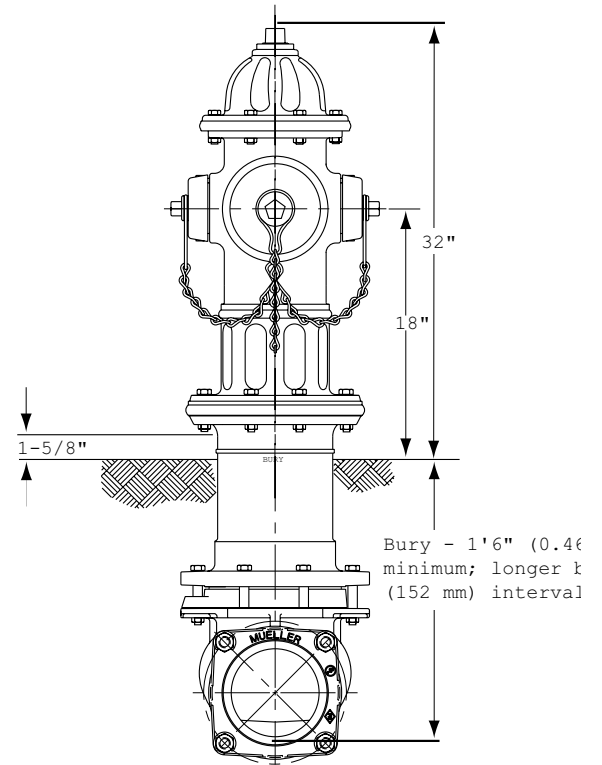
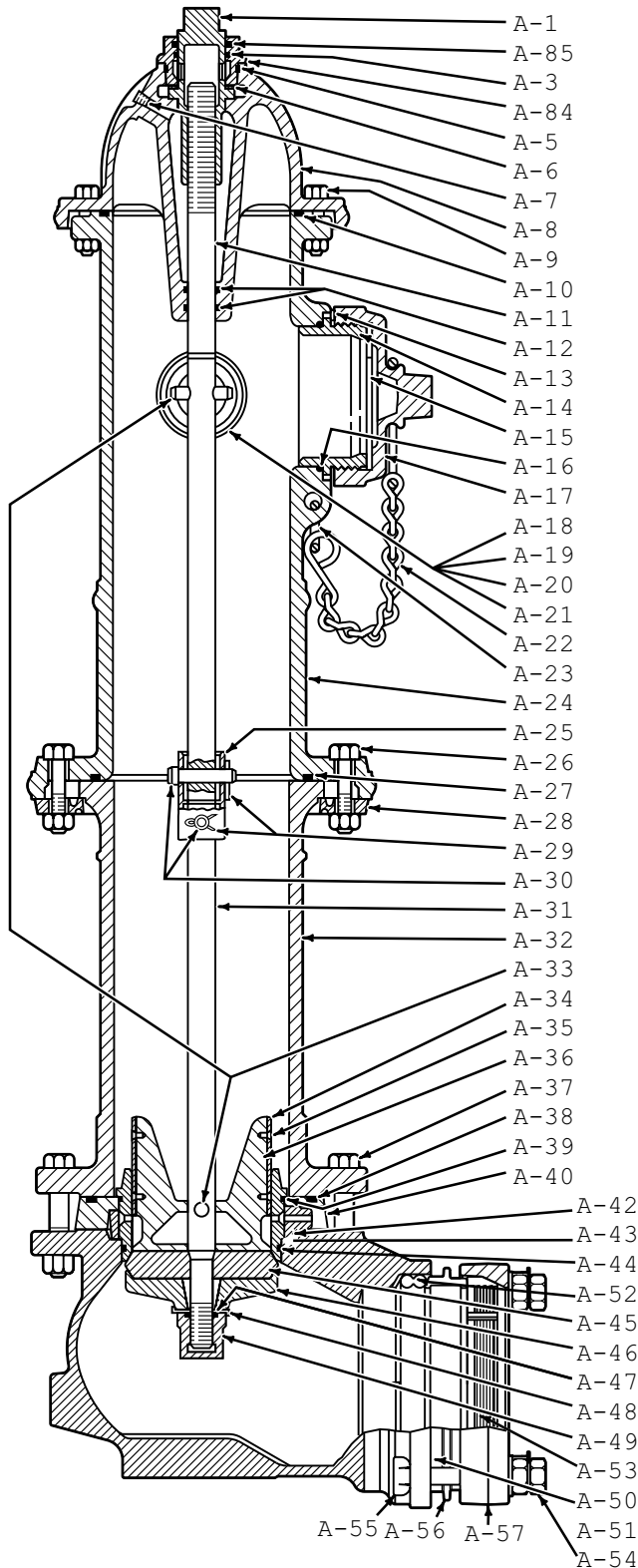
**SUPER CENTURION® 250  
FIRE HYDRANT WITH  
AQUAGRIP® SYSTEM**



**UL / FM**

**FIRE PROTECTION PRODUCTS**

**4-1/2" and 5 1/4" UL/FM Mueller® Super Centurion 250 Fire Hydrant  
replacement parts with the AquaGrip system**





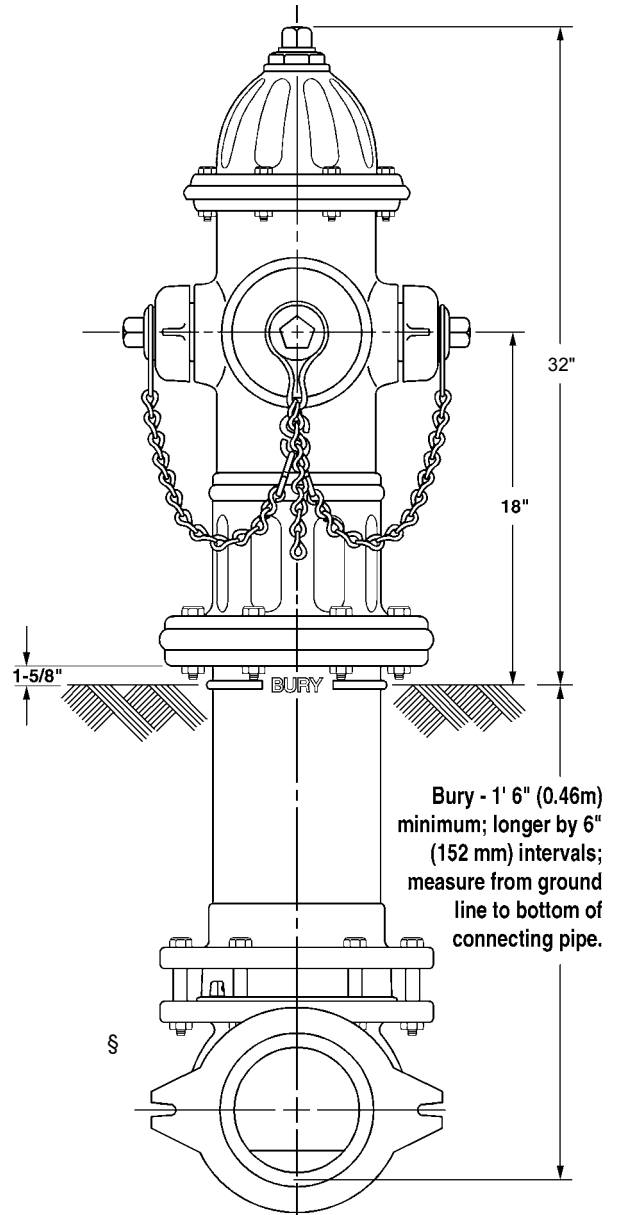
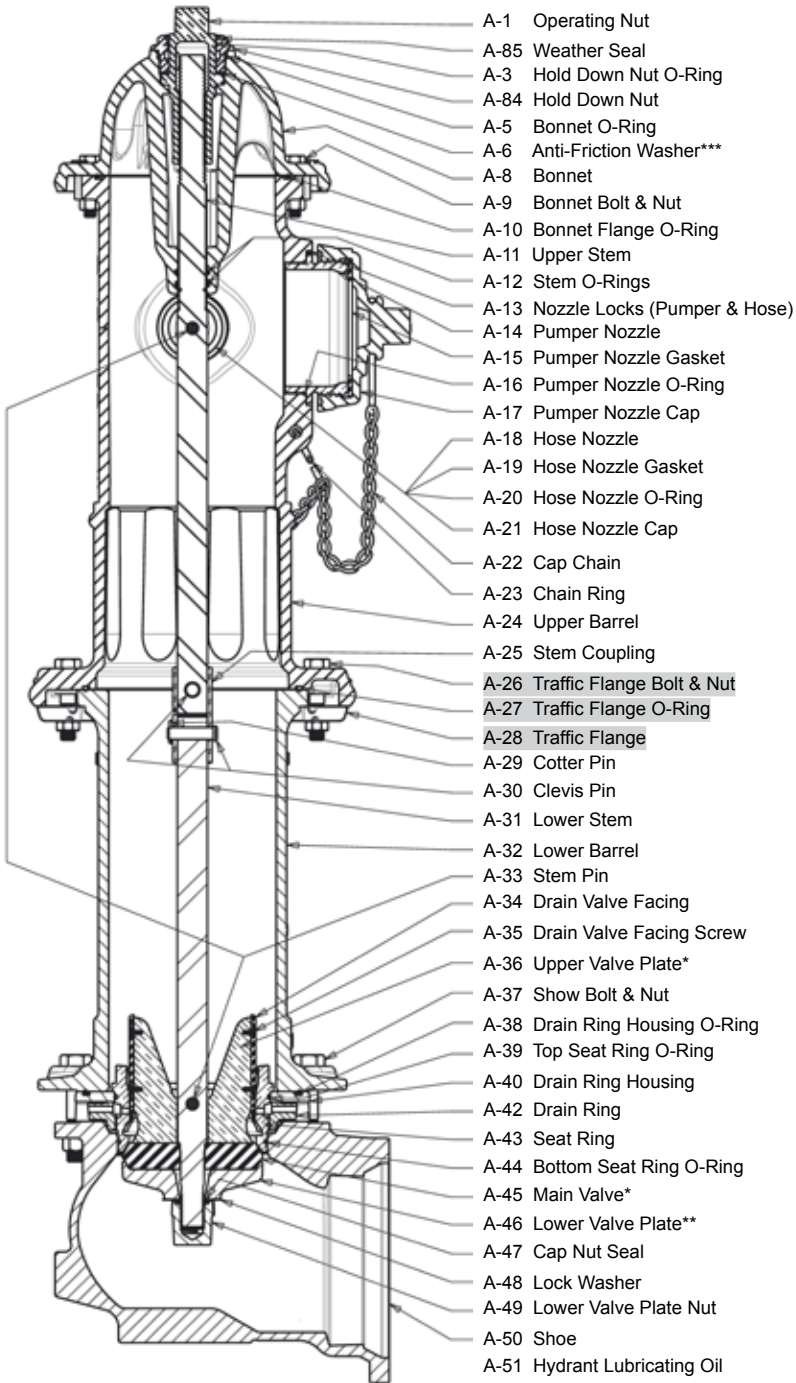
## FIRE PROTECTION PRODUCTS

### Mueller® Super Centurion 250 Fire Hydrant replacement parts with the Aqua-Grip system

Catalog Part No.	Description	Material	Material Standard
A-1	Operating Nut	Bronze	ASTM B62
A-3	Hold Down Nut o-ring	Rubber	ASTM D2000 BUNA N
A-5	Bonnet o-ring	Rubber	ASTM D2000 BUNA N
A-6	Anti-Friction Washer	Acetal	-
A-7	Oil Plug	Brass	ASTM B16
A-8	Bonnet	Cast Iron	ASTM A126 CL.B
A-9	Bonnet Bolt and Nut	Steel	SAE J429 Grade 2
A-10	Bonnet o-ring	Rubber	ASTM D2000 BUNA N
A-11	Upper Stem	Steel	ASTM A576 GR.1144T
A-12	Stem o-ring	Rubber	ASTM D2000 BUNA N
A-13	Nozzle Lock	Stainless Steel	ASTM A276
A-14	Pumper Nozzle	Bronze	ASTM B584
A-15	Pumper Nozzle Gasket	Rubber	ASTM D2000 Neoprene
A-16	Pumper Nozzle o-ring	Rubber	ASTM D2000 BUNA N
A-17	Pumper Nozzle Cap	Cast Iron	ASTM A126 CL.B
A-18	Hose Nozzle	Bronze	ASTM B584
A-19	Hose Nozzle Gasket	Rubber	ASTM D2000 Neoprene
A-20	Hose Nozzle o-ring	Rubber	ASTM D2000 BUNA N
A-21	Hose Nozzle Cap	Cast Iron	ASTM A126 CL.B
A-22	Cap Chain	Steel	Plated
A-23	Chain Ring	Steel	Plated
A-24	Upper Barrel Less Nozzles	Cast Iron	ASTM A126 CL.B
A-25	Stem Coupling	Stainless Steel	ASTM A890
A-26	Traffic Flange Bolt and Nut	Steel	SAE J429 Grade 2
A-27	Traffic Flange o-ring	Rubber	ASTM D2000 BUNA N
A-28	Traffic Flange	Cast Iron	ASTM A126 CL.B
A-29	Cotter Pin	Stainless Steel	ASTM A276
A-30	Clevis Pin	Stainless Steel	ASTM A276
A-31	Lower Stem	Steel	ASTM A576 GR.1144T
A-32	Lower Barrel	Cast Iron	ASTM A126 CL.B
A-33	Stem Pin	Stainless Steel	ASTM A582
A-34	Drain Valve Facing	Plastic	-
A-35	Drain Valve Screw	Stainless Steel	ASTM A276
A-36	Upper Valve Plate (includes A-34 and A-35)	Bronze	ASTM B584
A-37	Shoe Bolt and Nut***	Steel	SAE J429 Grade 2
A-38	Drain Ring Housing o-ring	Rubber	ASTM D2000 BUNA N
A-39	Seat Ring Top o-ring	Rubber	ASTM D2000 BUNA N
A-40	Drain Ring Housing	Cast Iron	ASTM A126 CL.B
A-42	Drain Ring	Bronze	ASTM B62
A-43	Seat Ring	Bronze	ASTM B584
A-44	Seat Ring Bottom o-ring	Rubber	ASTM D2000 BUNA N
A-45	Reversible Reinforced Main Valve	Rubber	ASTM D2000
A-46	Lower Valve Plate	Cast Iron	ASTM A126 CL.B
A-47	Cap Nut Seal	Rubber	ASTM D2000
A-48	Lock Washer	Stainless Steel	ASTM A276
A-49	Lower Valve Plate Nut	Cast Iron	ASTM A126 CL.B
A-50	Shoe	Ductile Iron	ASTM A536
A-52	Double o-ring	Rubber	ASTM D2000
A-53	Gripper Ring	Ductile Iron	ASTM A536
A-54	Breakaway Nut with Washer	Steel	ASTM A108 Zinc Plated
A-55	T-head Bolt	Steel	ASTM A242 Low Alloy (Corten)
A-56	Intermediate Ring	Ductile Iron	ASTM A536
A-57	End Ring	Ductile Iron	ASTM A536
A-84	Hold Down Nut	Bronze	ASTM B62
A-85	Weather Seal	Rubber	ASTM D2000

**SUPER CENTURION®  
FIRE HYDRANT  
REPLACEMENT PARTS**

**4-1/2" and 5 1/4" UL/FM Mueller® Super Centurion Fire Hydrant  
replacement parts (for 200™, 250™, and 350™ models)**



**5 1/4" Hydrant is Shown**

\* A-36 includes A-34 and A-35.

\*\* For pre-1997 hydrants: If replacing Main Valve or Lower Valve Plate, both parts must be replaced as they have been redesigned to make the Main Valve reversible. Original non-reversible Main Valve and its matching Lower Valve Plate have been discontinued (1997 and later hydrants incorporate both the redesigned parts).

\*\*\*For 350 psig option, A-6 is a roller thrust bearing, Steel.

### Mueller® Super Centurion 250 Fire Hydrant replacement parts

Catalog Part Number	Description	Material	Material Standard
A-1	Operating Nut	Bronze	ASTM B62
A-2	Weather Cap <i>(not shown and used only on pre-1988 models)</i>	Cast Iron	ASTM A126 CL.B
A-3	Hold Down Nut o-ring	Rubber	ASTM D2000 BUNA N
A-4	Hold Down Nut <i>(not shown and used only on pre-1988 models)</i>	Bronze	ASTM B62
A-5	Bonnet o-ring	Rubber	ASTM D2000 BUNA N
A-6	Anti-friction Washer**	Acetal	-
A-7	Oil Plug	Brass	ASTM B16
A-8	Bonnet	Cast Iron	ASTM A126 CL.B
A-9	Bonnet Bolt and Nut****	Steel	SAE J429 Grade 2
A-10	Bonnet o-ring <i>(1997 and newer 3-way models: all pre 1997 models and 1-way and 2-way models have flat gaskets)</i>	Rubber	ASTM D2000 BUNA N
A-11	Upper Stem	Steel	ASTM A576 GR.1144T
A-12	Stem o-ring	Rubber	ASTM D2000 BUNA N
A-13	Nozzle Lock	Stainless Steel	ASTM A276
A-14	Pumper Nozzle	Bronze	ASTM B584
A-15	Pumper Nozzle Gasket	Rubber	ASTM D2000 Neoprene
A-16	Pumper Nozzle o-ring	Rubber	ASTM D2000 BUNA N
A-17	Pumper Nozzle Cap	Cast Iron	ASTM A126 CL.B
A-18	Hose Nozzle	Bronze	ASTM B584
A-19	Hose Nozzle Gasket	Rubber	ASTM D2000 Neoprene
A-20	Hose Nozzle o-ring	Rubber	ASTM D2000 BUNA N
A-21	Hose Nozzle Cap	Cast Iron	ASTM A126 CL.B
A-22	Cap Chain	Steel	Plated
A-23	Chain Ring	Steel	Plated
A-24	Upper Barrel	Cast Iron	ASTM A126 CL.B
A-25	Stem Coupling	Stainless Steel	ASTM A890
A-26	Traffic Flange Bolt and Nut****	Steel	SAE J429 Grade 2
A-27	Traffic Flange o-ring <i>(1997 and newer 3-way models: all pre 1997 models and 1-way and 2-way models have flat gaskets)</i>	Rubber	ASTM D2000
A-28	Traffic Flange	Cast Iron	ASTM A126 CL.B
A-29	Cotter Pin	Stainless Steel	ASTM A276
A-30	Clevis Pin	Stainless Steel	ASTM A276
A-31	Lower Stem	Steel	ASTM A576 GR.1144T
A-32	Lower Barrel	Cast Iron	ASTM A126 CL.B
A-33	Stem Pin	Stainless Steel	ASTM A582
A-34	Drain Valve Facing	Plastic	-
A-35	Drain Valve Screw	Stainless Steel	ASTM A276
A-36	Upper Valve Plate <i>(includes A-34 and A-35)</i>	Bronze	ASTM B584
A-37	Shoe Bolt and Nut****	Steel	SAE J429 Grade 2
A-38	Drain Ring Housing o-ring <i>(1997 and newer 3-way models: all pre-1997 models have a square gasket)</i>	Rubber	ASTM D2000 BUNA N
A-39	Seat Ring Top o-ring	Rubber	ASTM D2000 BUNA N
A-40	Drain Ring Housing	Cast Iron	ASTM A126 CL.B
A-41	Drain Ring Housing Bolt and Nut <i>(not shown: use only on pre-1997 model hydrants)</i>	Steel	ASTM A307 Plated
A-42	Drain Ring	Bronze	ASTM B62
A-43	Seat Ring	Bronze	ASTM B584
A-44	Seat Ring Bottom o-ring	Rubber	ASTM D2000 BUNA N
A-45***	Reversible Main Valve <i>(1997 and newer models only: pre-1997* models use non-reversible main valve and lower valve plate - not shown)***</i>	Rubber	ASTM D2000
A-46	Lower Valve Plate <i>(1997 and newer for reversible main valve: pre-1997 models use non-reversible main valve - not shown)</i>	Cast Iron	ASTM A126 CL.B
A-47	Cap Nut Seal	Rubber	ASTM D2000
A-48	Lock Washer	Stainless Steel	ASTM A276
A-49	Lower Valve Plate Nut	Cast Iron	ASTM A126 CL.B
A-50	Shoe	Ductile Iron	ASTM A536
A-84	Hold Down Nut	Bronze	ASTM B62
A-85	Weather Seal	Rubber	ASTM D2000

\* Pre-1997 models may be upgraded to use the reversible main valve by also replacing the lower valve plate with the 1997 model.

\*\* For 350 psig option, A-6 is a roller thrust bearing, Steel.

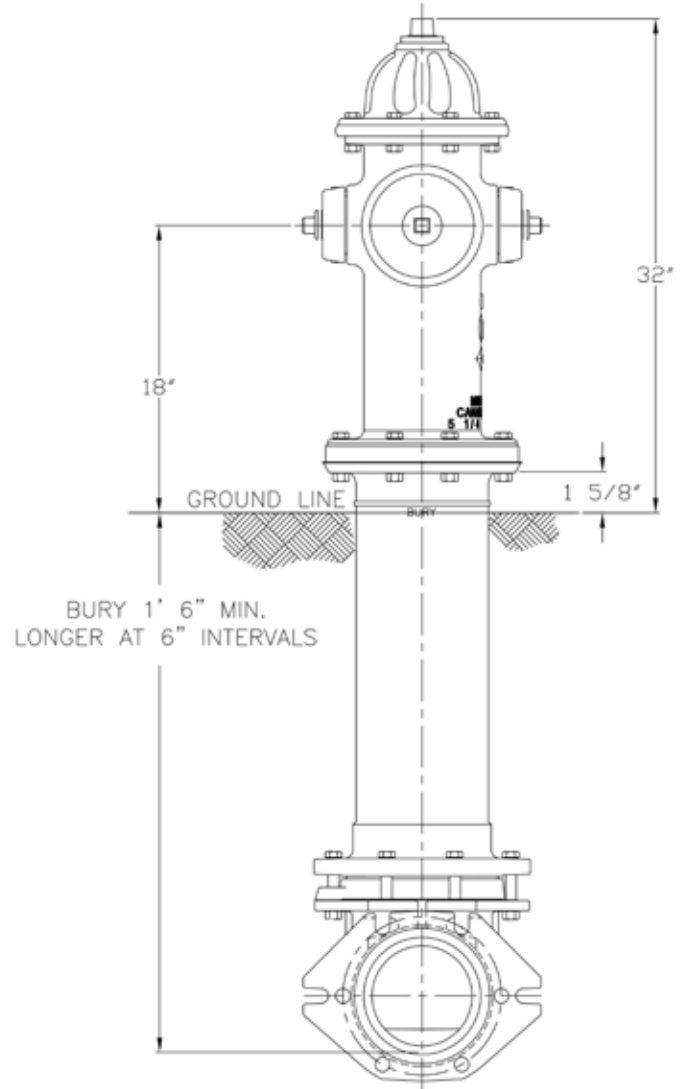
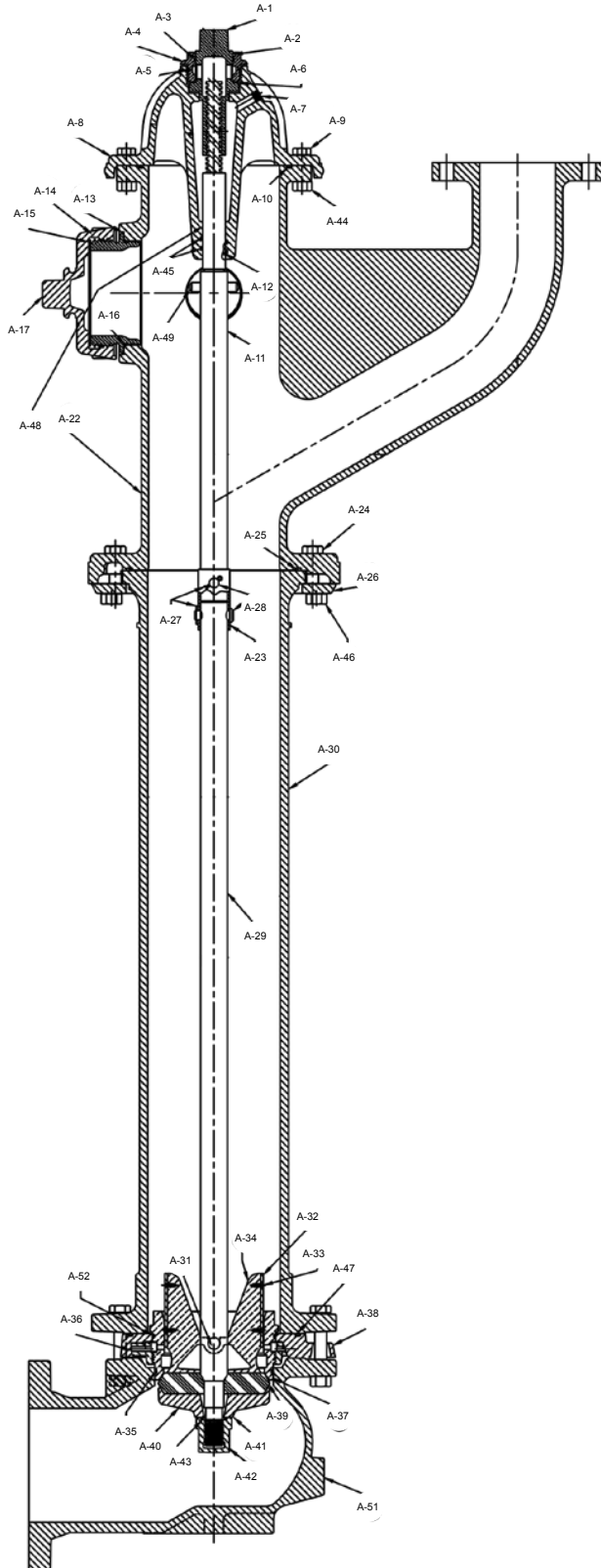
\*\*\* For 350 psig option, A-45 is Rubber ASTM D2000 reinforced with Cast Iron ASTM A126 CL.B

\*\*\*\* For 350 psig option, A-9, 27, and 37 are Steel SAE J429 Grade 5 Plated

**SUPER CENTURION®  
MONITOR FIRE HYDRANT  
REPLACEMENT PARTS**

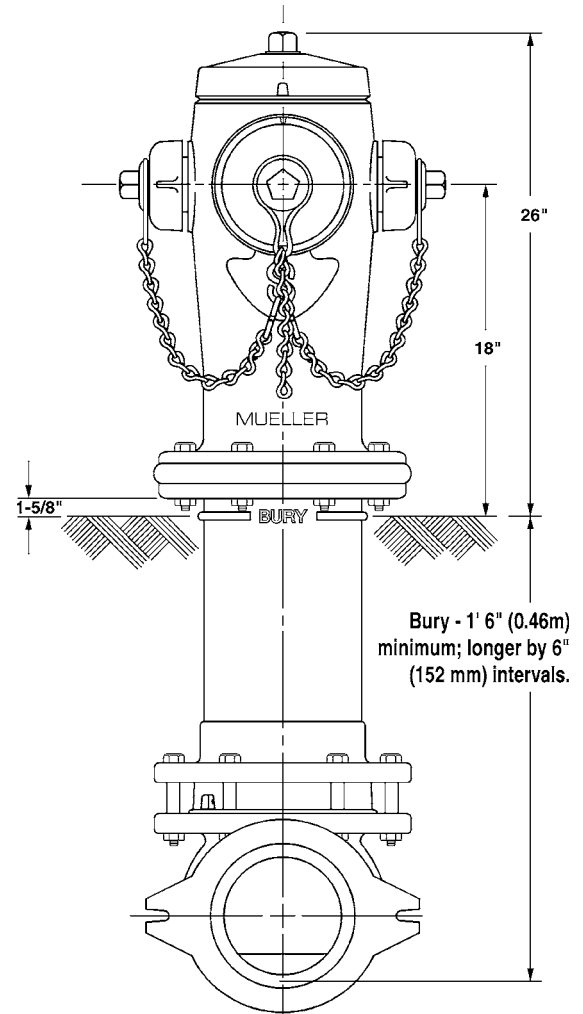
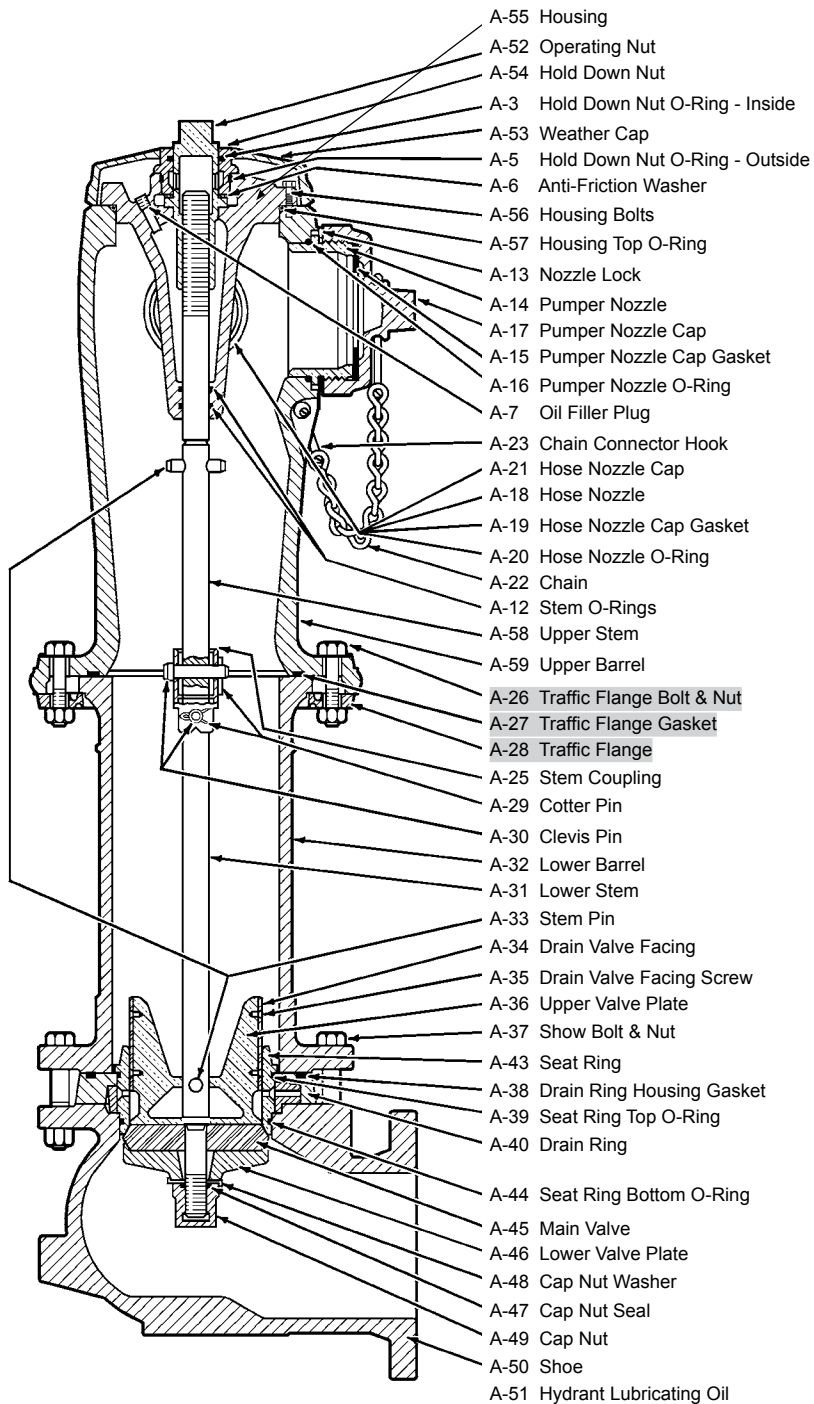


**5 1/4" UL/FM Mueller® Super Centurion Monitor Fire Hydrant replacement parts**



**5 1/4" UL/FM Mueller® Super Centurion Monitor Fire Hydrant replacement parts**

Catalog Part Number	Description	Material	Material Standard
A-1	Operating Nut	Bronze	ASTM B62
A-3	Hold Down Nut o-ring	Rubber	ASTM D2000 BUNA N
A-5	Bonnet o-ring	Rubber	ASTM D2000 BUNA N
A-6	Anti-friction Washer	Acetal	-
A-7	Oil Plug	Brass	ASTM B16
A-8	Bonnet	Cast Iron	ASTM A126 CL.B
A-9	Bonnet Bolt and Nut	Steel	SAE J429 Grade 2
A-10	Bonnet o-ring	Rubber	ASTM D2000 BUNA N
A-11	Upper Stem	Steel	ASTM A576 GR.B
A-12	Stem o-ring	Rubber	ASTM D2000 BUNA N
A-13	Nozzle Lock	Stainless Steel	ASTM A276
A-14	Pumper Nozzle	Bronze	ASTM B584
A-15	Pumper Nozzle Gasket	Rubber	ASTM D2000 Neoprene
A-16	Pumper Nozzle o-ring	Rubber	ASTM D2000 BUNA N
A-17	Pumper Nozzle Cap	Cast Iron	ASTM A126 CL.B
A-18	Hose Nozzle	Bronze	ASTM B584
A-19	Hose Nozzle Gasket	Rubber	ASTM D2000 Neoprene
A-20	Hose Nozzle o-ring	Rubber	ASTM D2000 BUNA N
A-21	Hose Nozzle Cap	Cast Iron	ASTM A126 CL.B
A-22	Upper Barrel	Ductile Iron	ASTM A536
A-23	Stem Coupling	Stainless Steel	ASTM A890
A-24	Traffic Flange Bolt and Nut	Steel	SAE J429 Grade 2
A-25	Traffic Flange o-ring	Rubber	ASTM D2000
A-28	Traffic Flange	Cast Iron	ASTM A126 CL.B
A-29	Cotter Pin	Stainless Steel	ASTM A276
A-30	Clevis Pin	Stainless Steel	ASTM A276
A-31	Lower Stem	Steel	ASTM A576 GR.1144T
A-32	Lower Barrel	Cast Iron	ASTM A126 CL.B
A-33	Stem Pin	Stainless Steel	ASTM A582
A-34	Drain Valve Facing	Plastic	-
A-35	Drain Valve Screw	Stainless Steel	ASTM A276
A-36	Upper Valve Plate <i>(includes A-34 and A-35)</i>	Bronze	ASTM B584
A-37	Shoe Bolt and Nut	Steel	SAE J429 Grade 2
A-38	Drain Ring Housing o-ring	Rubber	ASTM D2000 BUNA N
A-39	Seat Ring Top o-ring	Rubber	ASTM D2000 BUNA N
A-40	Drain Ring Housing	Cast Iron	ASTM A126 CL.B
A-42	Drain Ring	Bronze	ASTM B62
A-43	Seat Ring	Bronze	ASTM B584
A-44	Seat Ring Bottom o-ring	Rubber	ASTM D2000 BUNA N
A-45	Reversible Main Valve	Rubber	ASTM D2000
A-46	Lower Valve Plate	Cast Iron	ASTM A126 CL.B
A-47	Cap Nut Seal	Rubber	ASTM D2000
A-48	Lock Washer	Stainless Steel	ASTM A276
A-49	Lower Valve Plate Nut	Cast Iron	ASTM A126 CL.B
A-50	Shoe	Ductile Iron	ASTM A536
A-84	Hold Down Nut	Bronze	ASTM B62
A-85	Weather Seal	Rubber	ASTM D2000

**MODERN CENTURION®  
REPLACEMENT PARTS**

## FIRE PROTECTION PRODUCTS

### Mueller® Modern Centurion Fire Hydrant replacement parts

Catalog Part No.	Description	Material	Material Standard
A-3	Hold Down Nut o-ring	Rubber	ASTM D2000 BUNA N
A-5	O-ring	Rubber	ASTM D2000 BUNA N
A-6	Thrust Bearing	Acetal	-
A-7	Oil Plug	Brass	ASTM B16
A-12	Stem o-ring	Rubber	ASTM D2000 BUNA N
A-13	Nozzle Lock	Stainless Steel	ASTM A276
A-14	Pumper Nozzle	Bronze	ASTM B584
A-15	Pumper Nozzle Gasket	Rubber	ASTM D2000 Neoprene
A-16	Pumper Nozzle o-ring	Rubber	ASTM D2000 BUNA N
A-17	Pumper Nozzle Cap	Cast Iron	ASTM A126 CL.B
A-18	Hose Nozzle	Bronze	ASTM B584
A-19	Hose Nozzle Gasket	Rubber	ASTM D2000 Neoprene
A-20	Hose Nozzle o-ring	Rubber	ASTM D2000 BUNA N
A-21	Hose Nozzle Cap	Cast Iron	ASTM A126 CL.B
A-22	Cap Chain	Steel	Plated
A-23	Chain Ring	Steel	Plated
A-25	Stem Coupling	Stainless Steel	ASTM A890
A-26	Traffic Flange Bolt and Nut	Steel	SAE J429 Grade 2
A-27	Traffic Flange o-ring (1997 and newer 3-way models: all pre 1997 models and 1-way and 2-way models have flat gaskets)	Rubber	ASTM D2000 BUNA N
A-28	Traffic Flange	Cast Iron	ASTM A126 CL.B
A-29	Cotter Pin	Stainless Steel	ASTM A276
A-30	Clevis Pin	Stainless Steel	ASTM A276
A-31	Lower Stem	Steel	ASTM A576 GR.1144T
A-32	Lower Barrel	Cast Iron	ASTM A126 CL.B
A-33	Stem Pin	Stainless Steel	ASTM A582
A-34	Drain Valve Facing	Plastic	-
A-35	Drain Valve Screw	Stainless Steel	ASTM A276
A-36	Upper Valve Plate (includes A-34 and A-35)	Bronze	ASTM B584
A-37	Shoe Bolt and Nut	Steel	SAE J429 Grade 2
A-38	Drain Ring Housing o-ring (1997 and newer 3-way models: all pre-1997 models have a square gasket)	Rubber	ASTM D2000 BUNA N
A-39	Seat Ring Top o-ring	Rubber	ASTM D2000 BUNA N
A-40	Drain Ring Housing	Cast Iron	ASTM A126 CL.B
A-41	Drain Ring Housing Bolt and Nut (not shown: use only on pre-1997 model hydrants)	Steel	SAE J429 Grade 2
A-42	Drain Ring	Bronze	ASTM B62
A-43	Seat Ring	Bronze	ASTM B584
A-44	Seat Ring Bottom o-ring	Rubber	ASTM D2000 BUNA N
A-45*	Reinforced Main Valve (1997 and newer models only: pre-1997 models use non-reversible main valve and lower valve plate - not shown)	Rubber	ASTM D2000
A-46	Lower Valve Plate (1997 and newer for reversible main valve: pre-1997 models use non-reversible main valve - not shown)	Cast Iron	ASTM A126 CL.B
A-47	Cap Nut Seal	Rubber	ASTM D2000
A-48	Lock Washer	Stainless Steel	ASTM A276
A-49	Lower Valve Plate Nut	Cast Iron	ASTM A126 CL.B
A-50	Shoe**	Cast Iron	ASTM A126 CL.B
A-52	Operating Nut	Bronze	ASTM B62
A-53	Weather Cap	Cast Iron	ASTM A126 CL.B
A-54	Hold Down Nut	Bronze	ASTM B62
A-55	Housing	Cast Iron	ASTM A126 CL.B
A-56	Housing Bolt	Steel	SAE J429 Grade 2
A-57	Top Housing o-ring	Rubber	ASTM D2000
A-58	Upper Stem	Steel	ASTM A576 GR.1144T
A-59	Upper Barrel	Cast Iron	ASTM A126 CL.B

\* Pre-1997 models may be upgraded to use the reversible main valve by also replacing the lower valve plate with the 1997 model.

\*\* 6" MJ shoe is Ductile Iron, ASTM A536

SECTION  
**A-1**

Rev. 9-17

Shaded area indicates change

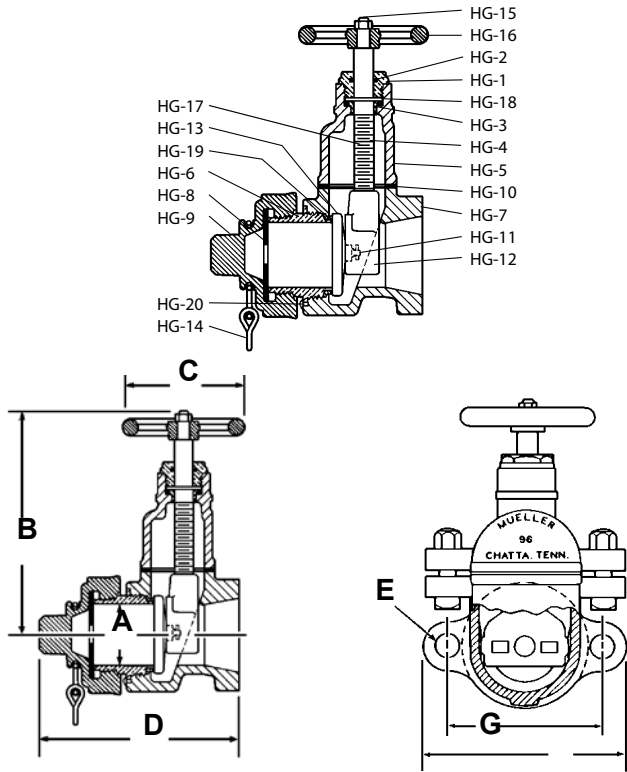
**INDEPENDENT HOSE  
GATE VALVE PARTS**



**UL / FM**

**FIRE PROTECTION PRODUCTS**

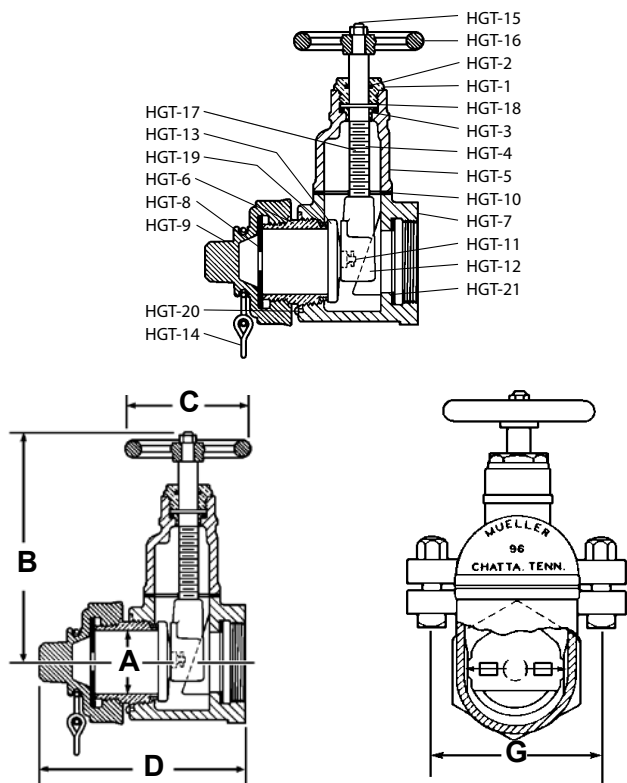
**A-373 UL Listed and FM Approved**



Catalog Part Number	Description	Material	Material Standard
HG-1	Stuffing Box	Bronze	ASTM B62
HG-2	O-ring Packaging	Rubber	ASTM D2000
HG-3	Bonnet Bushing	Bronze	ASTM B584
HG-4	Stem	Manganese Bronze	Alloy 676
HG-5	Bonnet	Cast Iron	ASTM A126
HG-6	Hose Nozzle	Bronze	ASTM B584
HG-7	Body	Cast Iron	ASTM A126
HG-8	Hose Nozzle Gasket	Rubber	ASTM D2000
HG-9	Hose Nozzle Cap	Cast Iron	ASTM A126
HG-10	Bonnet Gasket	Rubber	ASTM D2000
HG-11	Cotter Pin	Brass	-
HG-12	Wedge Nut	Bronze	ASTM B584
HG-13	Disc	Bronze	ASTM B584
HG-14	Chain	Steel	-
HG-15	Cap Nut	Steel	ASTM A307 Grade B
HG-16	Handwheel	Ductile Iron	ASTM A536
HG-17	Bonnet Bolt	Steel	ASTM A563
HG-18	O-ring	Rubber	ASTM D2000
HG-19	Valve Seat	Rubber	ASTM D2000
HG-20	Retaining Rivet	Copper	-

DIMENSIONS						
A	B	C	D	E	F	G
2-1/2"	9"	5"	8-3/16"	7/8"	7-3/8"	5-5/8"

**A-369 Not UL Listed or FM Approved**



Catalog Part Number	Description	Material	Material Standard
HG-1	Stuffing Box	Bronze	ASTM B62
HG-2	O-ring Packaging	Rubber	ASTM D2000
HG-3	Bonnet Bushing	Bronze	ASTM B584
HG-4	Stem	Manganese Bronze	Alloy 676
HG-5	Bonnet	Cast Iron	ASTM A126
HG-6	Hose Nozzle	Bronze	ASTM B584
HG-7	Body	Cast Iron	ASTM A126
HG-8	Hose Nozzle Gasket	Rubber	ASTM A735
HG-9	Hose Nozzle Cap	Cast Iron	ASTM A126
HG-10	Bonnet Gasket	Rubber	ASTM D2000
HG-11	Cotter Pin	Brass	-
HG-12	Wedge Nut	Bronze	ASTM B584
HG-13	Disc	Bronze	ASTM B584
HG-14	Chain	Steel	-
HG-15	Cap Nut	Steel	ASTM A307 Grade B
HG-16	Handwheel	Ductile Iron	ASTM A536
HG-17	Bonnet Bolt	Steel	ASTM A563
HG-18	O-ring	Rubber	ASTM D2000
HG-19	Valve Seat	Rubber	ASTM D2000
HG-20	Retaining Rivet	Copper	-
HG-21	Gasket	Rubber	ASTM D2000

DIMENSIONS				
A	B	C	D	G
2-1/2"	9"	5"	8-3/16"	5-5/8"

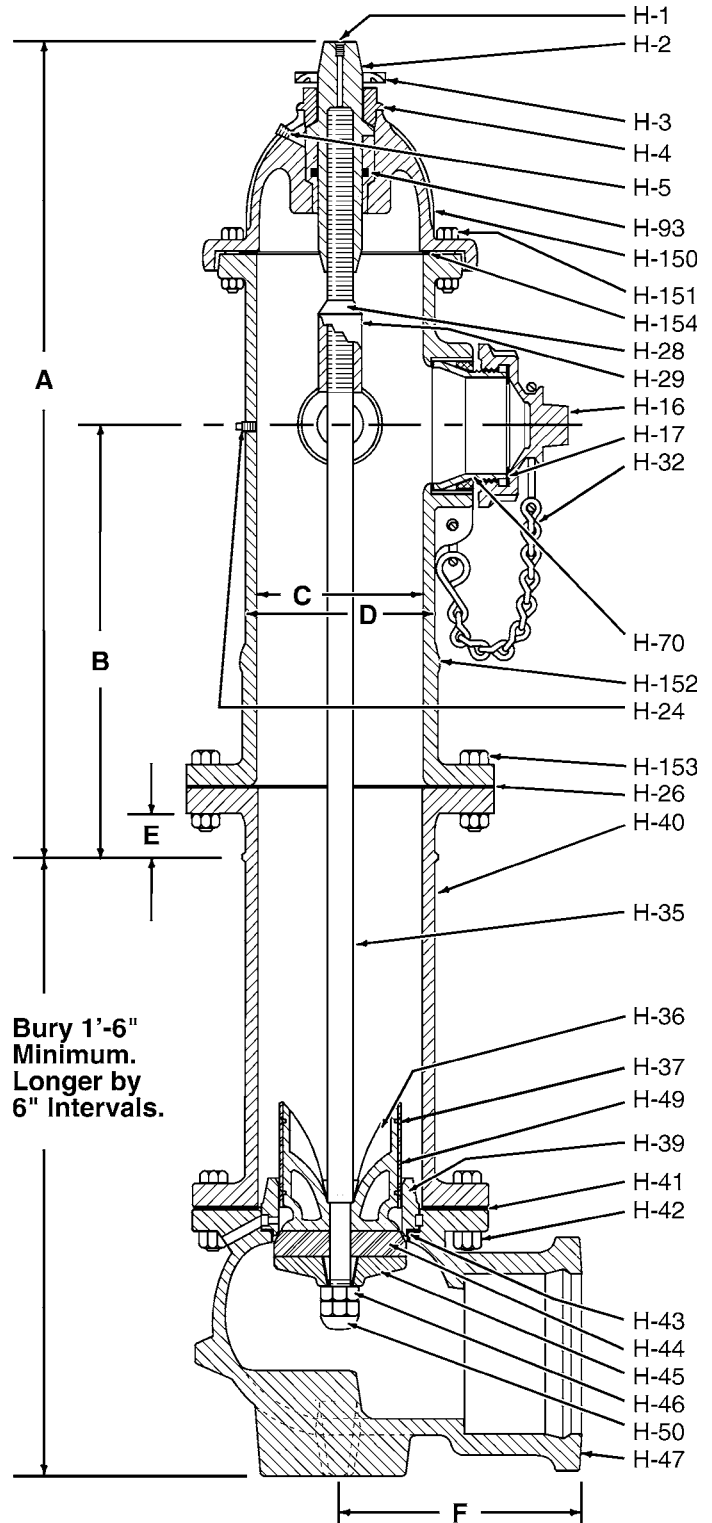


Catalog Part Number	Description	Material	Material Standard
H-1	Oil Screw	Bronze	ASTM B36
H-2	Operating Nut	Bronze	ASTM B62
H-3	Weather Cap	Bronze	ASTM B62
H-4	Hold Down Nut	Bronze	ASTM B62
H-5	Oiler	Steel	-
H-16	Hose Nozzle Cap	Cast Iron	ASTM A126 Class B
H-17	Hose Nozzle Gasket	Rubber	ASTM D2000
H-24	Test Plug	Brass	-
H-26	Barrel Gasket	Rubber	ASTM D2000
H-28	Stem Top Section	Bronze	ASTM B584
H-29	Upper Stem Pin	Bronze	ASTM B21
H-32	Nozzle Cap Chain	Steel	-
H-35	Stem	Steel	ASTM A576 Grade 1117
H-36	Upper Valve Plate	Bronze	ASTM B584
H-37	Drain Valve Facing Screw	Bronze	ASTM A276
H-39	Seat Ring	Bronze	ASTM B584
H-40	Lower Barrel	Cast Iron	ASTM A126 Class B
H-41	Shoe Gasket	Rubber	ASTM D2000
H-42	Shoe Bolt and Nut	Steel	SAE J429
H-43	Metallic Gasket	Copper-fiber	-
H-44	Main Valve	Rubber	ASTM D2000
H-45	Lower Valve Plate	Cast Iron	ASTM A126 Class B
H-46	Valve Plate Nut	Bronze	ASTM B584
H-47	Shoe	Cast Iron	ASTM A126 Class B
H-49	Drain Valve Facing	Leather	-
H-50	Cap Nut	Bronze	ASTM B584
H-70	Hose Nozzle	Bronze	ASTM B584
H-93	O-ring Seal	Rubber	ASTM D2000
H-150	Bonnet with Bushing	Cast Iron	ASTM A126 Class B
H-151	Bonnet Bolt and Nut	Steel	SAE J429
H-152	Upper Barrel	Cast Iron	ASTM A126 Class B
H-153	Barrel Bolt and Nut	Steel	SAE J429
H-154	Bonnet Gasket	Rubber	ASTM D2000
H-155	Upper Barrel for Hose Gates - Less Hose Gates	Cast Iron	ASTM A126 Class B

\* Bronze Bushing B-62 pressed in place.

Size of Hydrant	DIMENSIONS					
	A	B	C	D	E	F
4-1/2"	31-1/4"	17-3/4"	6"	7"	1-3/8"	See page A-14
5-1/4"	33-1/4"	18"	7"	7-7/8"	1-5/8"	

Note: All 5-1/4" hydrants manufactured since 1965 are of the above design. To order repair parts for hydrants dated prior to 1965 see page A-1-18



SECTION  
**A-1**

Rev. 10-17

Shaded area indicates change

**PRE-1965 CHATTANOOGA  
FIRE HYDRANT  
REPLACEMENT PARTS**

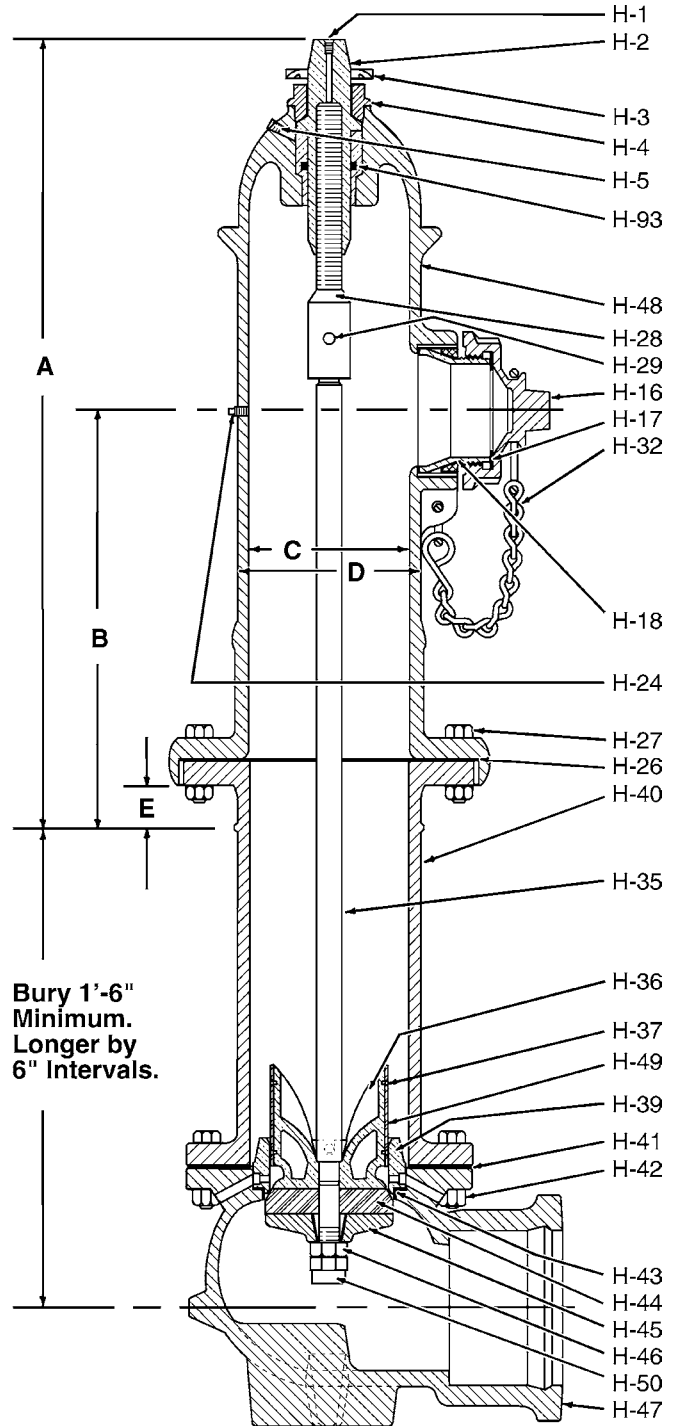


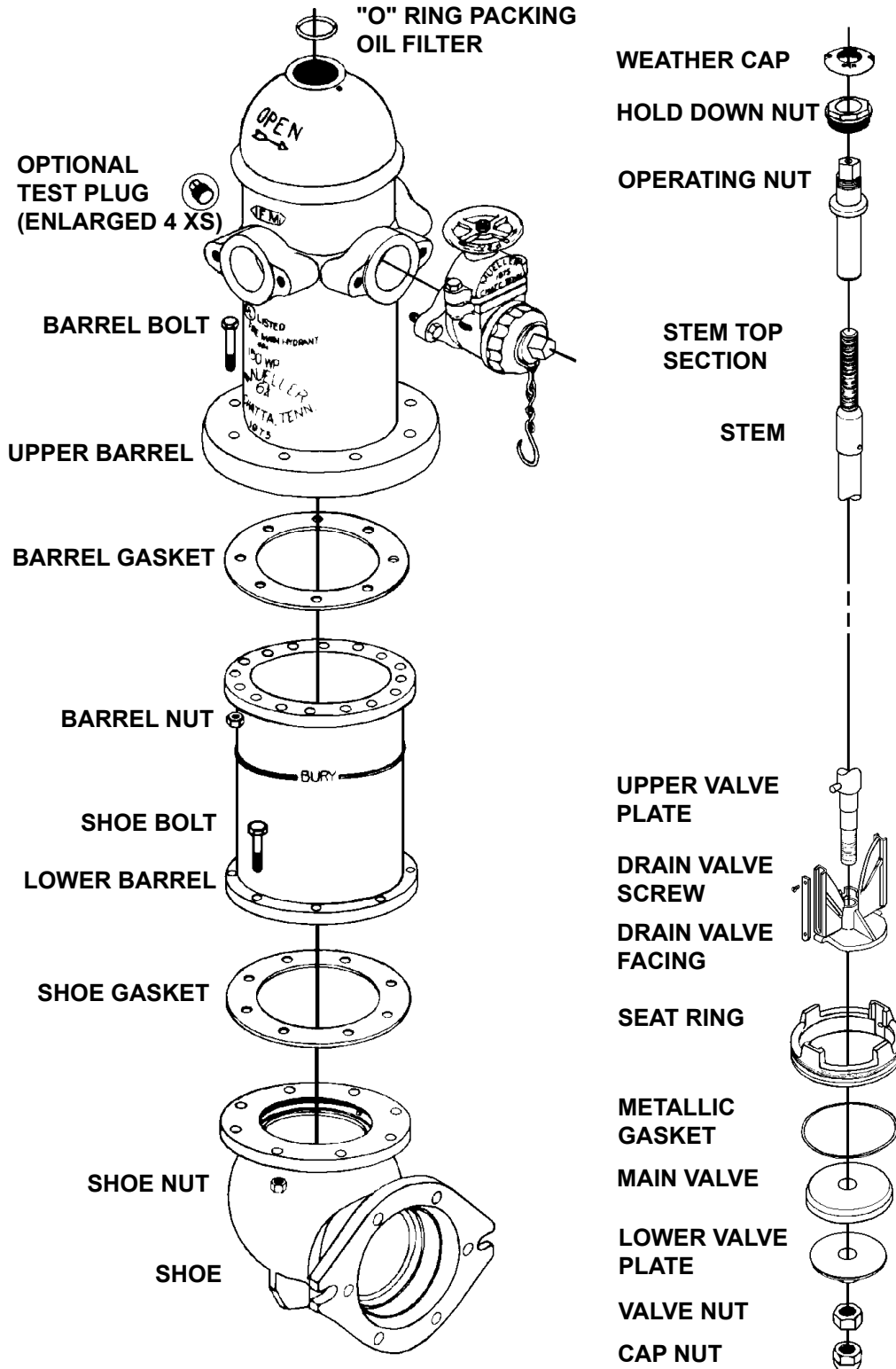
**UL / FM**

**FIRE PROTECTION PRODUCTS**

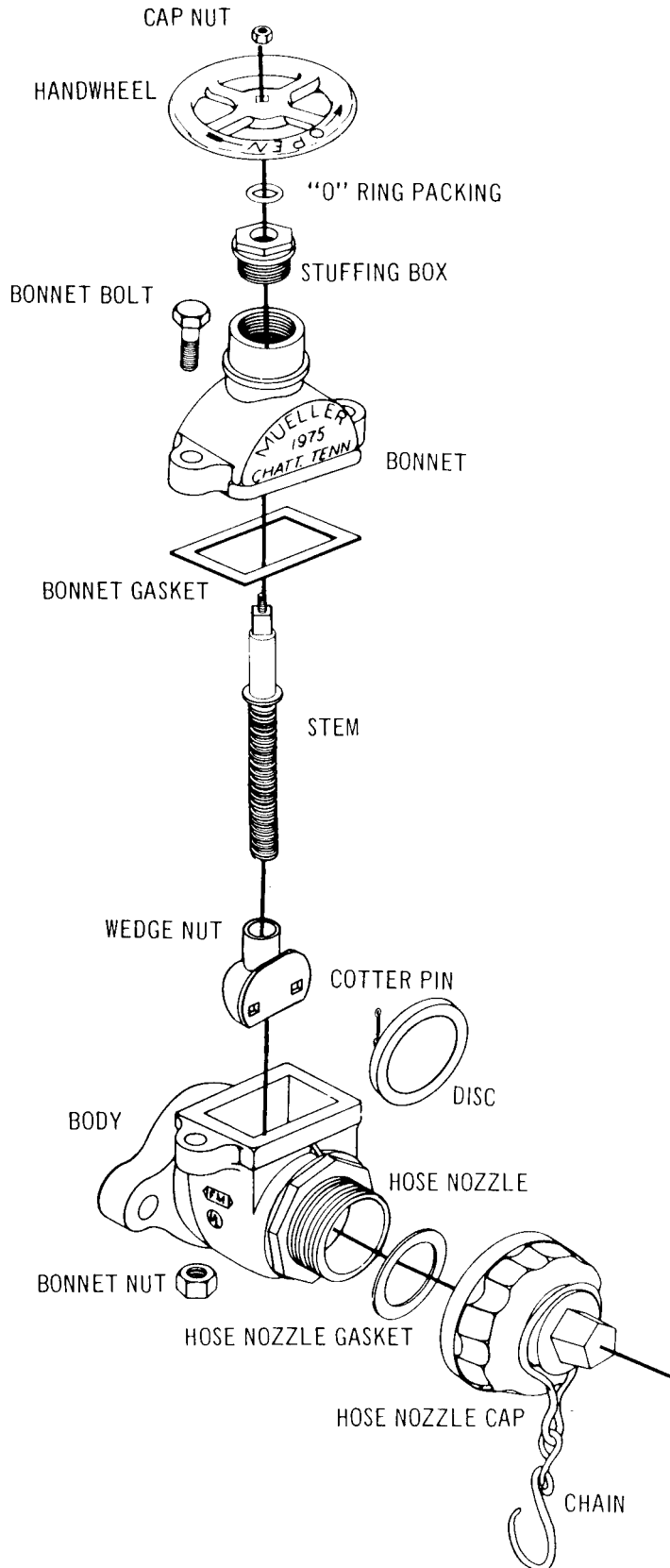
Catalog Part Number	Description	Material	Material Standard
H-1	Oil Screw	Bronze	ASTM B36
H-2	Operating Nut	Bronze	ASTM B62
H-3	Weather Cap	Bronze	ASTM B62
H-4	Hold Down Nut	Bronze	ASTM B62
H-5	Oiler	Steel	-
H-16	Hose Nozzle Cap	Cast Iron	ASTMA126 Class B
H-17	Hose Nozzle Gasket	Rubber	ASTM D2000
H-24	Test Plug	Brass	-
H-26	Barrel Gasket	Rubber	ASTM D2000
H-28	Stem Top Section	Bronze	ASTMB584
H-29	Upper Stem Pin	Bronze	ASTM B21
H-32	Nozzle Cap Chain	Steel	-
H-35	Stem	Steel	ASTMA576 or A108
H-36	Upper Valve Plate	Bronze	ASTM B584
H-37	Drain Valve Facing Screw	Bronze	ASTM A276
H-39	Seat Ring	Bronze	ASTM B584
H-40	Lower Barrel	Cast Iron	ASTMA126 Class B
H-41	Shoe Gasket	Rubber	ASTM D2000
H-42	Shoe Bolt and Nut	Steel	SAE J429
H-43	Metallic Gasket	Copper-fiber	-
H-44	Main Valve	Rubber	ASTM D2000
H-45	Lower Valve Plate	Cast Iron	ASTMA126 Class B
H-46	Valve Plate Nut	Bronze	ASTM B584
H-47	Shoe	Cast Iron	ASTMA126 Class B
H-49	Drain Valve Facing	Leather	-
H-50	Cap Nut	Bronze	ASTM B584
H-93	O-ring Seal	Rubber	ASTM D2000

Size of Hydrant	DIMENSIONS				
	A	B	C	D	E
5-1/4"	30-7/8"	17-1/4"	7"	8-1/8"	3-3/8"





**HOSE GATE VALVE  
(PRE-1984)  
REPLACEMENT PARTS**



## FIRE PROTECTION PRODUCTS

When ordering fire hydrants, specify the following:

- 1. Quantity**  
If more than one size, quantity of each.
- 2. Size of main valve opening and catalog number.**  
This determines the size of the hydrant. (A-1-3)
- 3. Nozzle arrangement**  
The catalog number indicates the normal arrangements of hose and pumper nozzles. If a different arrangement is desired, specify the size and number of hose and pumper nozzles required.
- 4. Depth of trench or bury**  
Distance from ground line to bottom of connecting pipe. "Trench" and "ditch" are the same as "bury". "Cover" is the distance from the ground to the top of the connecting pipe.
- 5. Size of inlet connection**  
See sizes listed on page A-1-3.
- 6. Type of inlet connection**  
See types listed on page A-1-3.
- 7. Size and shape of operating nut**  
National Standard is 1-1/2" pentagon, measured from point to opposite flat. Square and hexagon or other sizes of pentagon can also be furnished. Size is determined by measuring from flat to opposite flat on square and hexagon, and from point to opposite flat on pentagon. Measurements must be taken at base of nut.
- 8. Direction of opening**  
Open left is most common (counter-clockwise) or open right (clockwise). If previous hydrants open right, new hydrants should open right.

**9. Hose nozzle threading**

Send a sample of the male coupling on hydrant nozzle to show threads desired, **EXCEPT** in the following cases (a) if using National Standard, specify accordingly (b) if we have previously furnished hydrants to the same location and there is no change (complete records are kept on file in our Engineering Department for reference).

**10. Pumper nozzle threading**

Same instructions as 9 above

**11. Color**

Unless otherwise specified, the hydrant will be enameled above ground with fire hydrant red. When so ordered, we will enamel any color (or colors) specified to match your existing standards.

When ordering parts, specify the following:

1. Year date shown on hydrant barrel
2. Quantity
3. Part number and name
4. Size and catalog number of hydrant
5. Direction of opening
6. Depth of bury

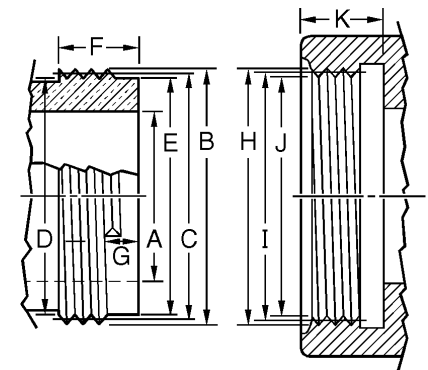
When ordering Storz Connection :

To order an integral storz on a new hydrant, for step #10 above indicate 'storz' and its size (4" or 5").  
NOTE: an option number is no longer required.

For separate storz connection for retrofit to an existing hydrant, provide existing pumper nozzle size and threading, size of storz connection (4" or 5"), and quantity.

**National Standard Hose Coupling Thread Specifications**

A. Nominal inside diameter of nozzle		2-1/2"	3"	3-1/2"	4"	4-1/2"
Number of threads per inch		7-1/2	6	6	4	4
B. Major diameter nozzle thread	Max.	3.0686	3.6239	4.2439	5.0109	5.7609
	Min.	3.0366	3.5879	4.2079	4.9609	5.7109
C. Pitch diameter nozzle thread	Max.	2.9820	3.5156	4.1356	4.8485	5.5985
	Min.	2.9660	3.4976	4.1176	4.8235	5.5735
D. Minor diameter nozzle thread	Max.	2.8954	3.4073	4.0273	4.6861	5.4361
E. Diameter pilot nozzle		2.850	3.354	3.973	4.610	5.357
F. Length of thread nozzle		1"	1-1/8"	1-1/8"	1-1/4"	1-1/4"
G. Face to start of second turn		1/4"	5/16"	5/16"	7/16"	7/16"
H. Major diameter coupling thread	Min.	3.0836	3.6389	4.2639	5.0359	5.7859
	Max.	3.0130	3.5486	4.1736	4.8985	5.6485
I. Pitch diameter coupling thread	Min.	2.9970	3.5306	4.1556	4.8735	5.6235
	Max.	2.9424	3.4583	4.0833	4.7611	5.5111
J. Minor diameter coupling thread	Min.	2.9104	3.4223	4.0473	4.7111	5.4611
K. Depth of coupling		15/16"	1-1/16"	1-1/16"	1-3/16"	1-3/16"



\* Manufacturers standard

NOTE: All dimensions are in inches and all dimensional data and tolerances are in accord with ANSLB26

SECTION

**A-1**

Rev. 9-05

Shaded area indicates change

FIRE HYDRANTS



**UL / FM**

**FIRE PROTECTION PRODUCTS**



**Reliable Connections™**

[www.muellercompany.com](http://www.muellercompany.com) • [moreinfo@muellercompany.com](mailto:moreinfo@muellercompany.com)