

Specifications

End Load Capacity:

125% full scale

Cable Length:

20 ft (6 m)

Capacity: not to exceed 4,000 x 1 lb (32 sq ft.)

3 x 8 ft: 4,000 lb increments

4 x 8 ft: 4,000 lb increments

Warranty:

Two-year limited warranty (scale only)

Approvals:

NTEP CC 92-001 Class III 4,000d



Shown with racks and gates

Standard Features

- Swing gate
- Mild steel construction
- Rugged diamond safety treadplate deck
- Rigid structural steel channel frame
- NEMA 4X stainless steel side-access junction box without quick connector
- Signal trim summing board
- Four adjustable stainless steel SUREFOOT™ support feet
- 20 feet SURVIVOR® EL147HE hostile environment load cell cable
- Four alloy steel load cells

APPROVALS



Part Number/Price

Part #	Outside Dimensions	Capacity	Est. Weight	Price
103617	3 ft x 8 ft x 3 1/2 in	4,000, 20 ft without Quick Connect, modified to fit gate and rack	565 lb	\$2,200.00
78452	3 ft x 8 ft x 3 1/2 in	4,000, 20 ft without Quick Connect	565 lb	\$2,200.00
103619	4 ft x 8 ft x 3 1/2 in	4,000, 20 ft without Quick Connect, modified to fit gate and rack	750 lb	\$2,300.00
78453	4 ft x 8 ft x 3 1/2 in	4,000, 20 ft without Quick Connect	750 lb	\$2,300.00
RoughDeck SLV 4,000 lb Bundle Package (SHIPPED ASSEMBLED)				
124192	3 ft x 8 ft x 3 1/2 in	Includes: scale, gate and rack, kick plates, IQ plus® 390 digital indicator, factory calibration	1200 lb	\$4,100.00
124193	4 ft x 8 ft x 3 1/2 in	Includes: scale, gate and rack, kick plates, IQ plus 390 digital indicator, factory calibration	1500 lb	\$4,500.00

Options/Accessories

Part #	Description	Price
N/A	Smooth deck instead of diamond safety tread plate	N/C
N/A	Stainless steel load cells (RL35023S) and stainless steel junction box	\$705.00
N/A	Stainless steel welded-seal IP67 load cells (RL35082) and stainless steel junction box	1,170.00
N/A	Angle iron bolted to scale for wood deck provisions (wood to be supplied by customer)	200.00
N/A	Rubber mat	Consult
N/A	Slide gate	Consult
Consult	Chutes for use with 4 ft x 8 ft scale only	
18777	Floor anchor plates, mild steel (set of 2)	\$30.00
18778	Floor anchor plates, stainless steel (set of 2)	\$32.00

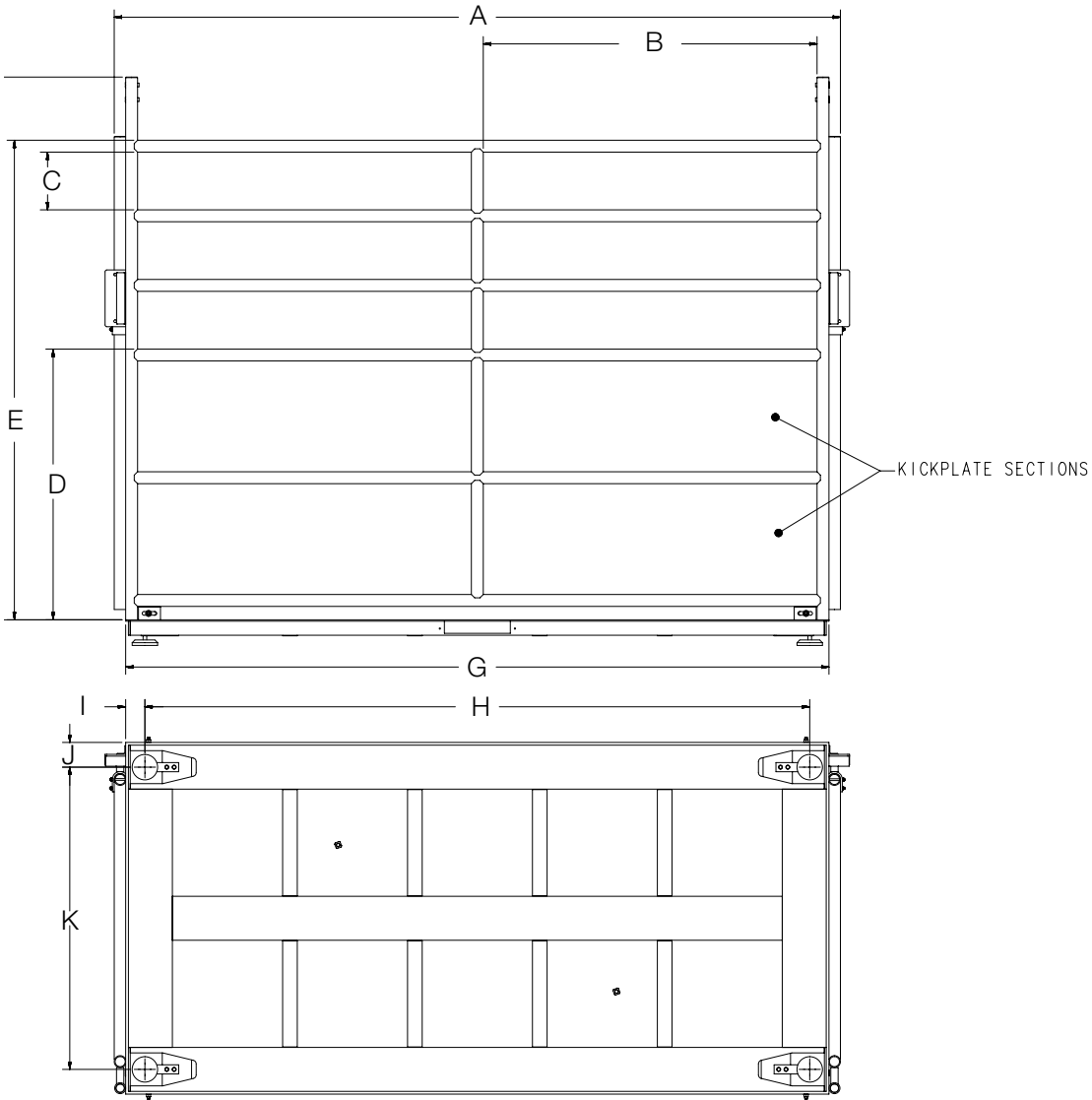
RoughDeck® SLV

Single Animal Livestock Scale

TRUCK / RAIL / LIVESTOCK / AXLE SCALES

www.ricelake.com | Phone: 800-472-6703

RICE LAKE



Dimensions			
3 ft x 8 ft			
A	99.12 in	I	2.625
B	45.56	J	3.375
C	7.88	K	29.25
D	36.95	L	36
E	65.45	M	32.75
F	74.00	N	3.50
G	95.00	O	77.58
H	90.75		
4 ft x 8 ft			
A	99.12 in	I	2.625
B	45.56	J	3.375
C	7.88	K	41.250
D	36.95	L	48
E	65.45	M	44.75
F	74.00	N	3.50
G	95.00	O	77.58
H	90.75		

