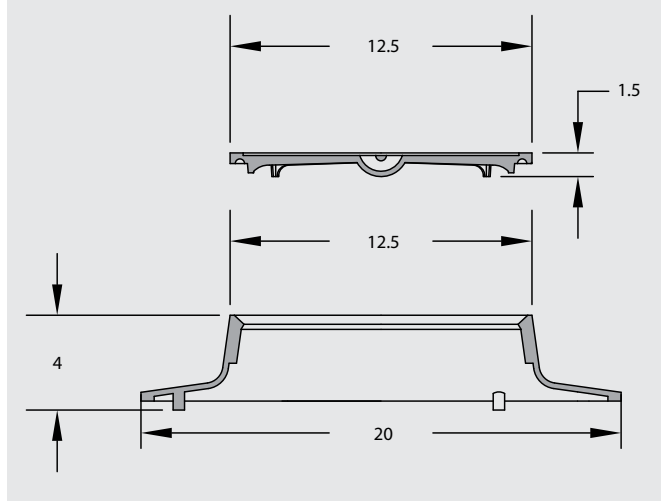
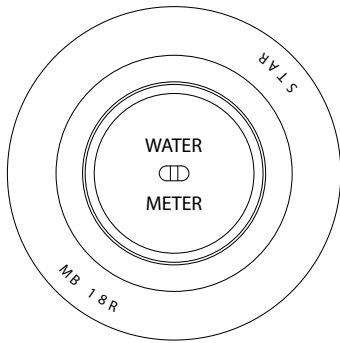


TABLE OF CONTENTS
[CLICK NAME TO NAVIGATE](#)

NAME	CAT #	NAME	CAT #
#18 METER BOX	MB-0001	11"X4" LOCKING CLEANOUT RING "CO" COVER W/ HANDLE	MB-0045
#18 METER BOX W/ TOUCH READER LID	MB-0002	ALBUQUERQUE LIGHT DUTY METER BOX W/ 2 READER HOLES	MB-0046
#18 METER BOX W/ BRASS PENTAGON BOLT	MB-0003	ALBUQUERQUE HEAVY DUTY METER BOX	MB-0047
#20 METER BOX	MB-0004	ALBUQUERQUE LIGHT DUTY METER BOX	MB-0048
#43 METER BOX W/ LOCKING LID	MB-0005	WATER METER PIT FRAME	MB-0049
0927 METER BOX	MB-0006	CITY OF ASHEVILLE 5/8" WATER METER BOX	MB-0050
18" TILE METER BOX	MB-0007	FB-18 WATER METER LID	MB-0051
18" METER BOX - KC	MB-0008	18"X24" ADAPTOR RING FOR 24" TILE	MB-0052
2240 WATER METER PIT W/ BRASS PENTAGON BOLT	MB-0009	18"X36" ADAPTOR RING FOR 36" TILE	MB-0053
2241 WATER METER PIT W/ BRASS PENTAGON BOLT	MB-0010	1RT/3RT	MB-0054
2242 WATER METER PIT W/ BRASS PENTAGON BOLT	MB-0011	1RT/3RT 1.25"-2" RISERS	MB-0055
5018 WATER METER PIT	MB-0012	#36H4 WATER METER LID	MB-0056
WST9009 LID & BASE	MB-0013	#4TT WATER METER	MB-0057
18" CHATTANOOGA METER BOX FLAT LID	MB-0014	#2 WATER METER LIDS	MB-0058
MUSHROOM LID	MB-0015	#3T WATER METER LIDS	MB-0059
ROME OVAL METER BOX W/ 9.75" BASE	MB-0016	#5 WATER METER LIDS	MB-0060
#1 OVAL METER BOX W/ 12.5" BASE	MB-0017	#36S WATER METER LIDS	MB-0061
OVAL METER BOX W/ 18" BASE	MB-0018	#36HI NON-LOCKING WATER METER LID	MB-0062
B160 WATER BOARD OVAL METER BOX	MB-0019	#36TPB GALVANIZED LID	MB-0063
WATER OVAL METER BOX W/ 10" BASE	MB-0020	#36T WATER METER LIDS	MB-0064
#2 RECTANGLE METER BOX W/ 12.75" BASE	MB-0021	#37T WATER METER LIDS	MB-0065
JUMBO METER BOX W/ 18" BASE	MB-0022	#40T WATER METER LIDS	MB-0066
COBB COUNTY METER BOX	MB-0023	WATER METER LID	MB-0067
NASHVILLE STANDARD SMALL METER PLATE FRAME & COVER	MB-0024	10"X15" NON-LOCKING LID	MB-0068
NASHVILLE STANDARD LARGE METER PLATE FRAME & COVER	MB-0025	10"X15" LOCKING LID	MB-0069
AZ-100 LID	MB-0026	8"X9" SEWER CLEANOUT	MB-0070
AZ-200 LID	MB-0027	WILMINGTON "CO" CLEANOUT	MB-0071
11"X17" WATER METER LID	MB-0028	8"X10" SEWER CLEANOUT	MB-0072
10" X 15" DI MB WATER METER LID	MB-0030	CITY OF BOSTON CLEANOUT	MB-0073
TOWN OF CLAYTON MB W/2" READER HOLE	MB-0031	10" TRAFFIC RATED CLEANOUT	MB-0074
6" GATE CAP	MB-0032	LAMPHOLE CLEANOUT "S"	MB-0075
8" GATE CAP	MB-0033		
12" GATE CAP	MB-0034		
CLEANOUT BOOT	MB-0035		
CLEANOUT SANITARY SEWER LATERAL	MB-0036		
#2 MIAMI DADE WATER VALVE BOX	MB-0037		
#3 MIAMI DADE WATER VALVE BOX	MB-0038		
7610 HANDHOLE RING & COVER "S"	MB-0039		
7621 HANDHOLE RING & COVER "S"	MB-0040		
8"X4" NON-LOCKING CLEANOUT RING "CO" COVER	MB-0041		
8"X4" LOCKING CLEANOUT RING "CO" COVER	MB-0042		
11"X4" NON-LOCKING CLEANOUT RING "CO" COVER	MB-0043		
11"X4" LOCKING CLEANOUT RING "CO" COVER	MB-0044		

#18 METER BOX

MB-001

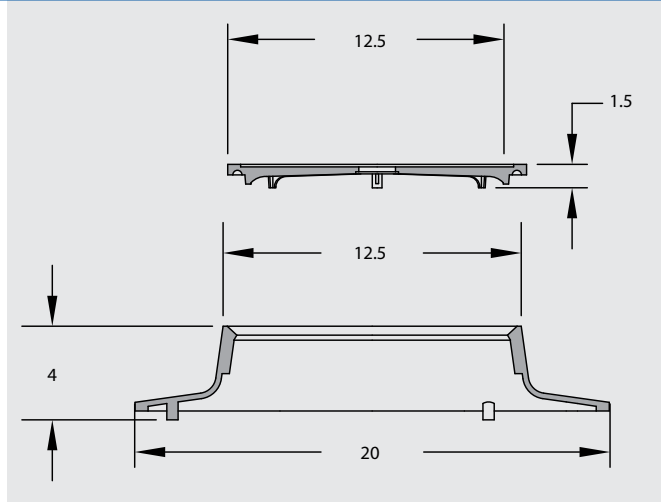
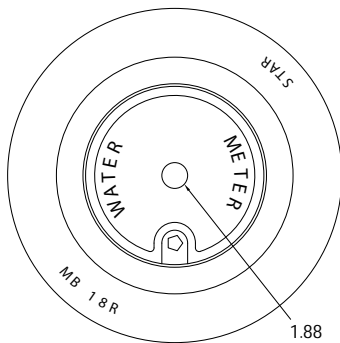


ITEM CODE	DETAILS
MB18	COMPLETE

- Notes:**
- Material - Cast Iron
Per ASTM A48 Class 30B
 - Dimensions in Inches

#18 METER BOX W/ TOUCH READER LID

MB-002

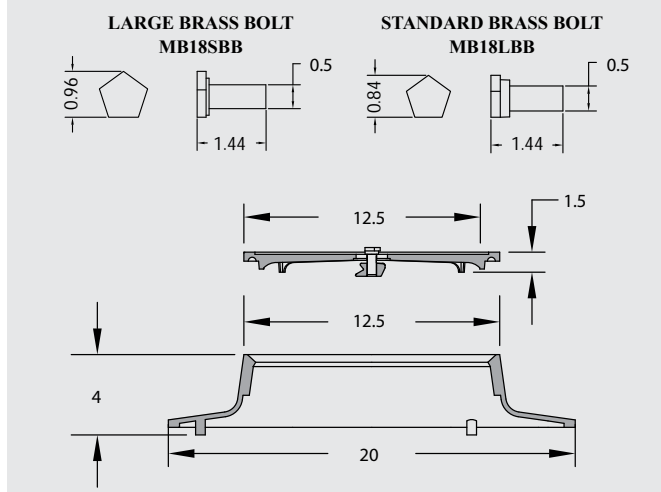
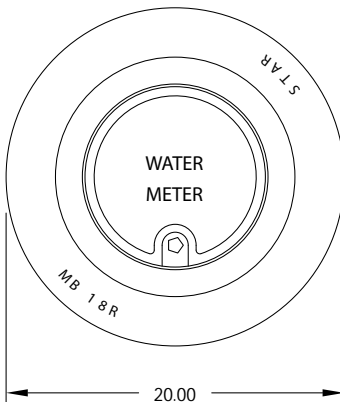


ITEM CODE	DETAILS
MB18RLB	COMPLETE

- Notes:**
- Material - Cast Iron
Per ASTM A48 Class 30B
 - Dimensions in Inches

#18 METER BOX W/ BRASS PENTAGON BOLT

MB-003



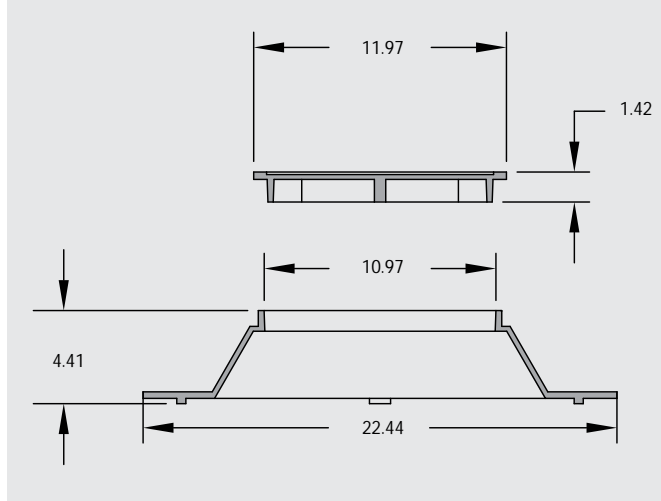
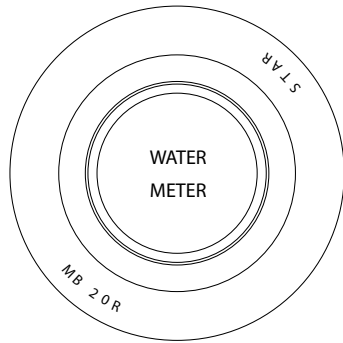
ITEM CODE	DETAILS
MB18LBB	LARGE BRASS BOLT
MB18SBB	STANDARD BRASS BOLT

- Notes:**
- Material - Cast Iron
Per ASTM A48 Class 30B
 - Dimensions in Inches



#20 METER BOX

MB-0004



ITEM CODE	DETAILS
MB20	COMPLETE

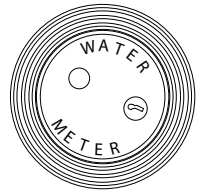
- Notes:**
- Material - Cast Iron
Per ASTM A48 Class 30B
 - Dimensions in Inches

#43 METER BOX W/ LOCKING LID

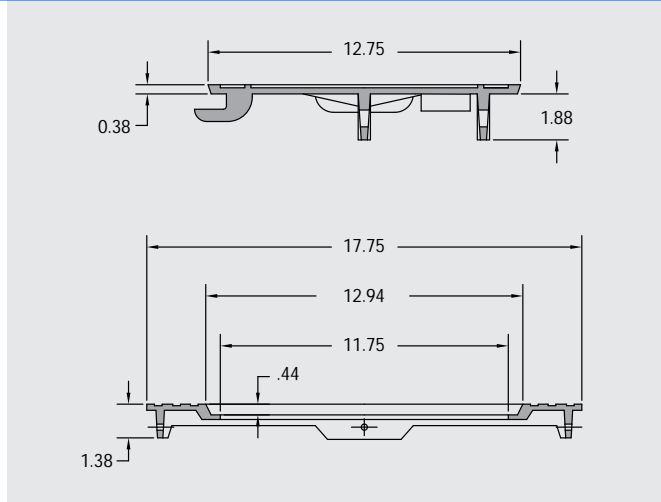
MB-0005



MB43L



**MB43RL
W/ READER**

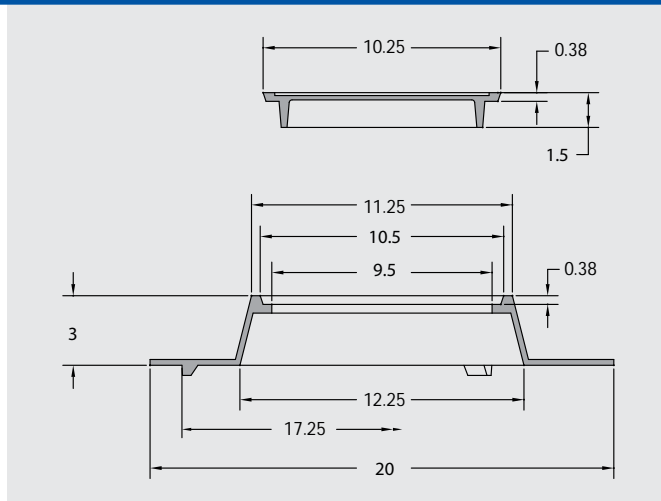
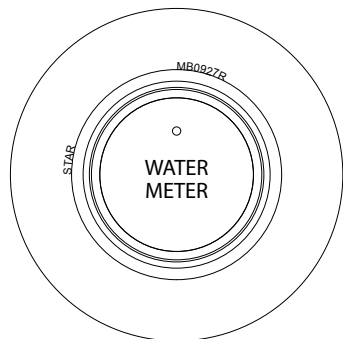


ITEM CODE	DETAILS
MB43L	NO READER
MB43RL	W/ READER

- Notes:**
- Material - Cast Iron
Per ASTM A48 Class 30B
 - Dimensions in Inches

0927 METER BOX

MB-0006



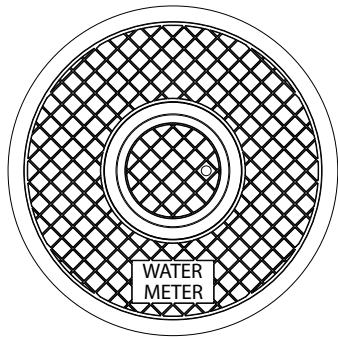
ITEM CODE	DETAILS
MB0927	COMPLETE

- Notes:**
- Material - Cast Iron
Per ASTM A48 Class 30B
 - Dimensions in Inches

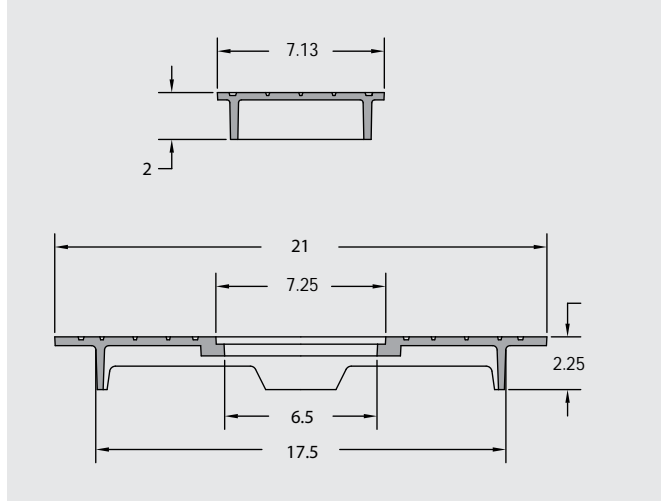


18" TILE METER BOX

MB-007



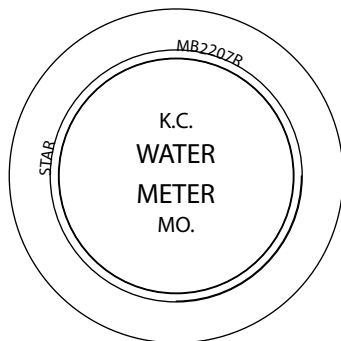
- Notes:**
- Material - Cast Iron
Per ASTM A48 Class 30B
 - Dimensions in Inches



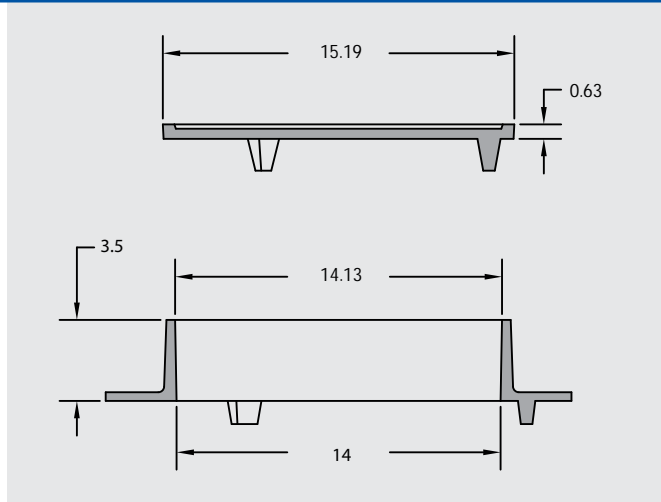
ITEM CODE	DETAILS
MB2102	COMPLETE

18" METER BOX - KC

MB-008



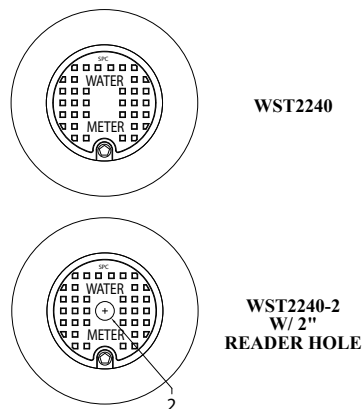
- Notes:**
- Material - Cast Iron
Per ASTM A48 Class 30B
 - Dimensions in Inches



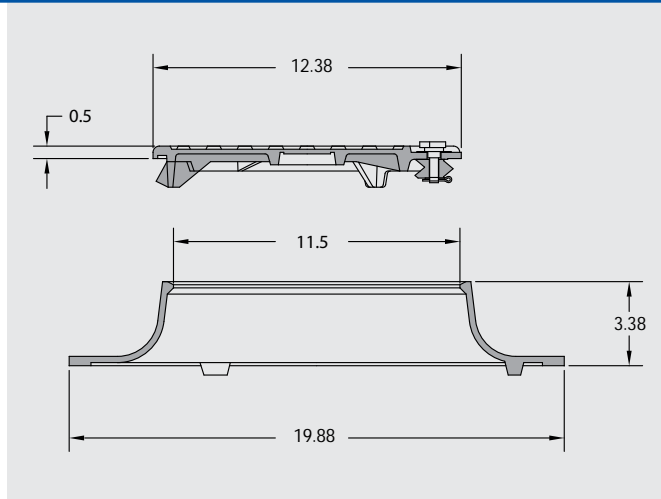
ITEM CODE	DETAILS
MB2207	COMPLETE

2240 WATER METER PIT W/ BRASS PENTAGON BOLT

MB-009



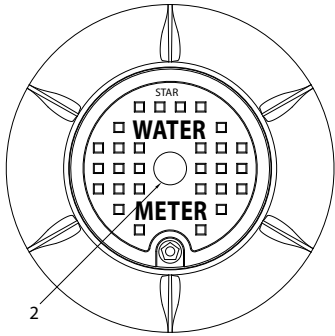
- Notes:**
- Material - Cast Iron
Per ASTM A48 Class 30B
 - Dimensions in Inches



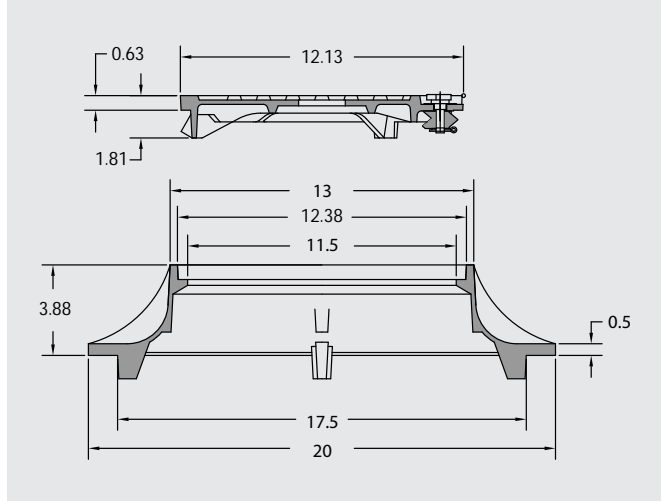
ITEM CODE	DETAILS
WST2240	COMPLETE
WST2240-2	COMPLETE

2241 WATER METER PIT W/ BRASS PENTAGON BOLT

MB-0010



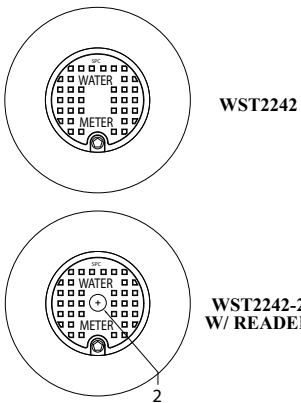
- Notes:**
 - Material - Cast Iron
 Per ASTM A48 Class 30B
 - Dimensions in Inches



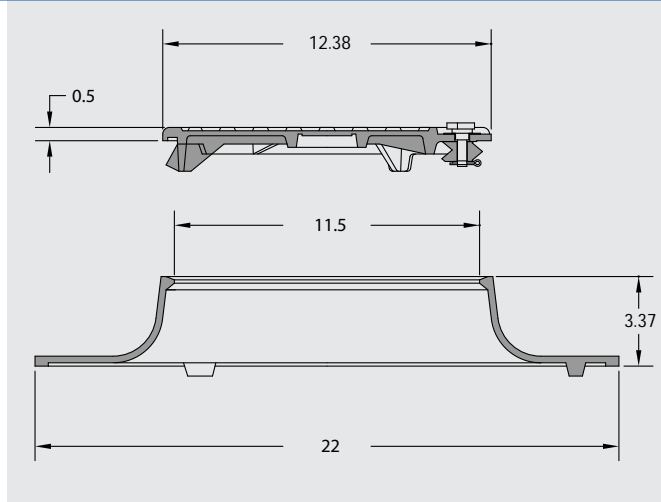
ITEM CODE	DETAILS
WST2241	COMPLETE

2242 WATER METER PIT W/ BRASS PENTAGON BOLT

MB-0011



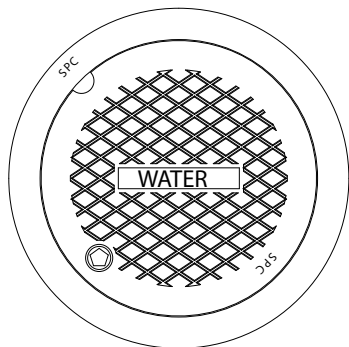
- Notes:**
 - Material - Cast Iron
 Per ASTM A48 Class 30B
 - Dimensions in Inches



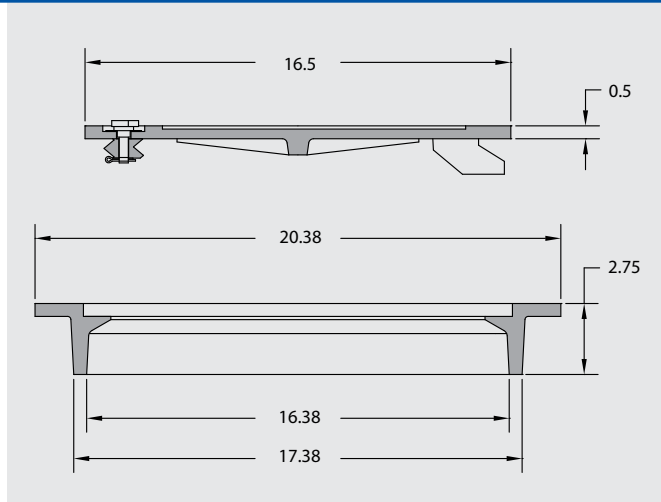
ITEM CODE	DETAILS
WST2242	COMPLETE
WST2242-2	COMPLETE

5018 WATER METER PIT

MB-0012



- Notes:**
 - Material - Cast Iron
 Per ASTM A48 Class 30B
 - Dimensions in Inches

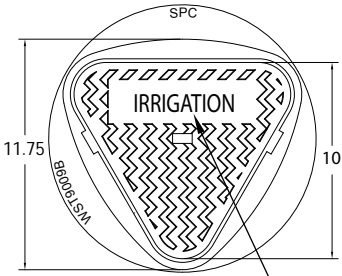


ITEM CODE	DETAILS
WST5018	COMPLETE



WST9009 LID & BASE

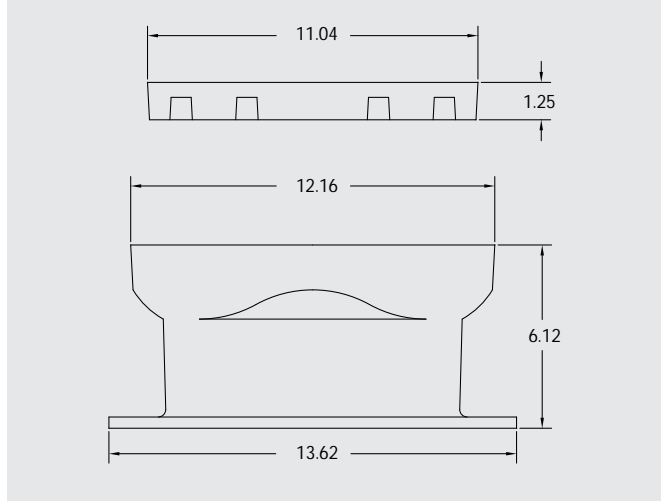
MB-0013



SEE DETAILS FOR OPTIONAL LETTERING

Notes:

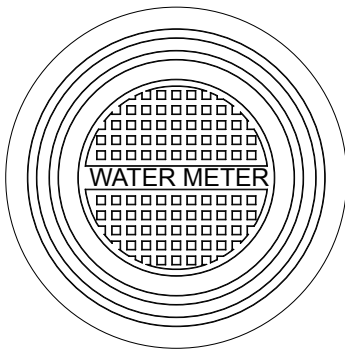
- Material - Cast Iron
Per ASTM A48 Class 30B
- Dimensions in Inches



ITEM CODE	DETAILS
WST9009-I	IRRIGATION
WST9009-W	WATER

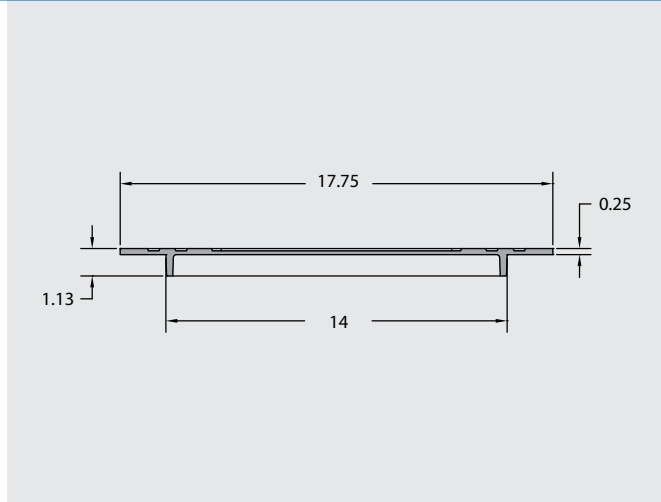
18" CHATTANOOGA METER BOX FLAT LID

MB-0014



Notes:

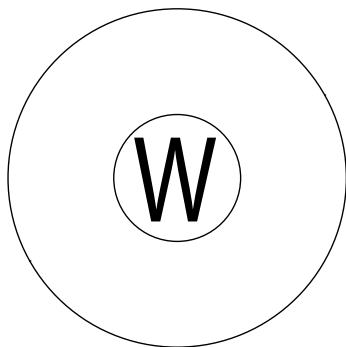
- Material - Cast Iron
Per ASTM A48 Class 30B
- Dimensions in Inches



ITEM CODE	DETAILS
MBLID18C	COMPLETE

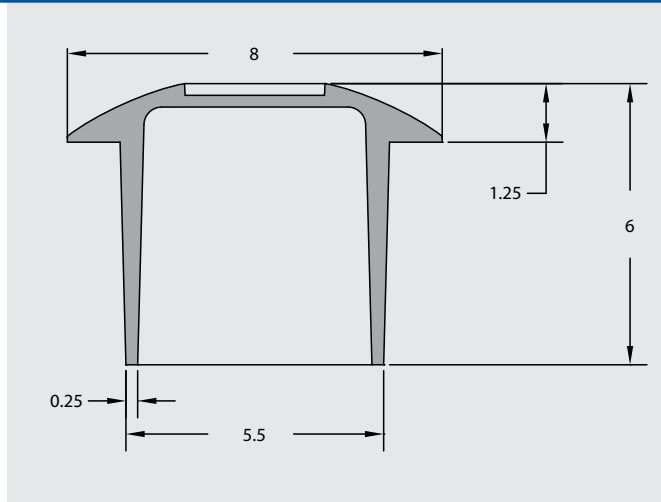
MUSHROOM LID

MB-0015



Notes:

- Material - Cast Iron
Per ASTM A48 Class 30B
- Dimensions in Inches

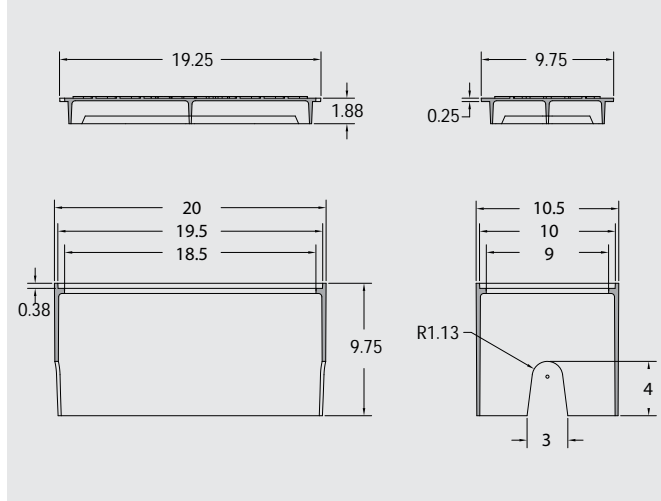
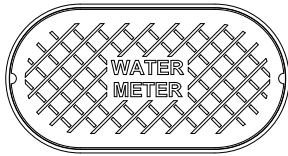


ITEM CODE	DETAILS
MUSHROOMLID	COMPLETE



ROME OVAL METER BOX W/ 9.75" BASE

MB-0016

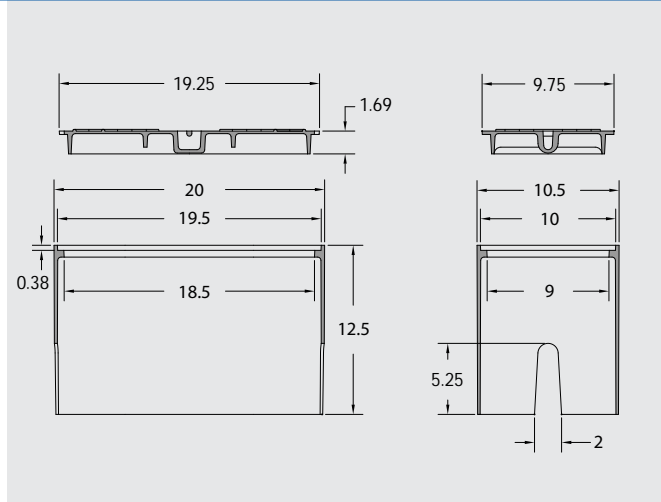
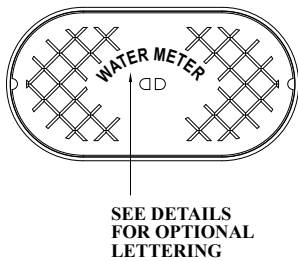


ITEM CODE	DETAILS
MBD1910	COMPLETE

- Notes:**
- Material - Cast Iron
Per ASTM A48 Class 30B
 - Dimensions in Inches

#1 OVAL METER BOX W/ 12.5" BASE

MB-0017

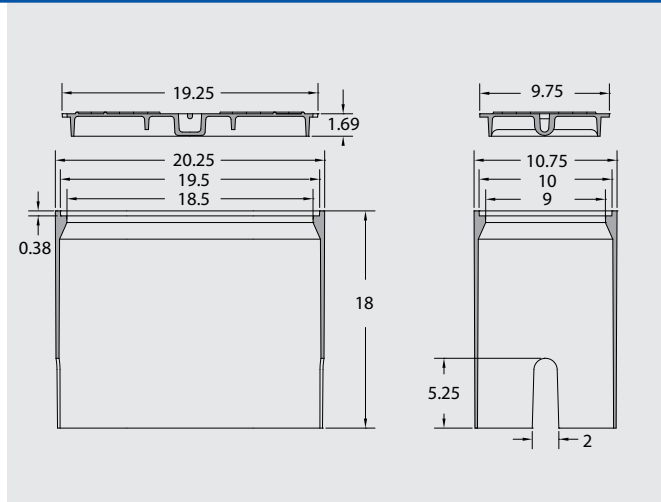
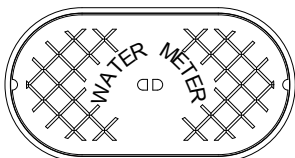


ITEM CODE	DETAILS
MBX-1	COMPLETE
MBX-1L	WATER METER LID
MBX-1CL	CLEANOUT LID
MBX-1LSS	SANITARY SEWER LID
MBX-1LR	LID W/ READER HOLE
MBX-1B	BASE

- Notes:**
- Material - Cast Iron
Per ASTM A48 Class 30B
 - Dimensions in Inches

OVAL METER BOX W/ 18" BASE

MB-0018

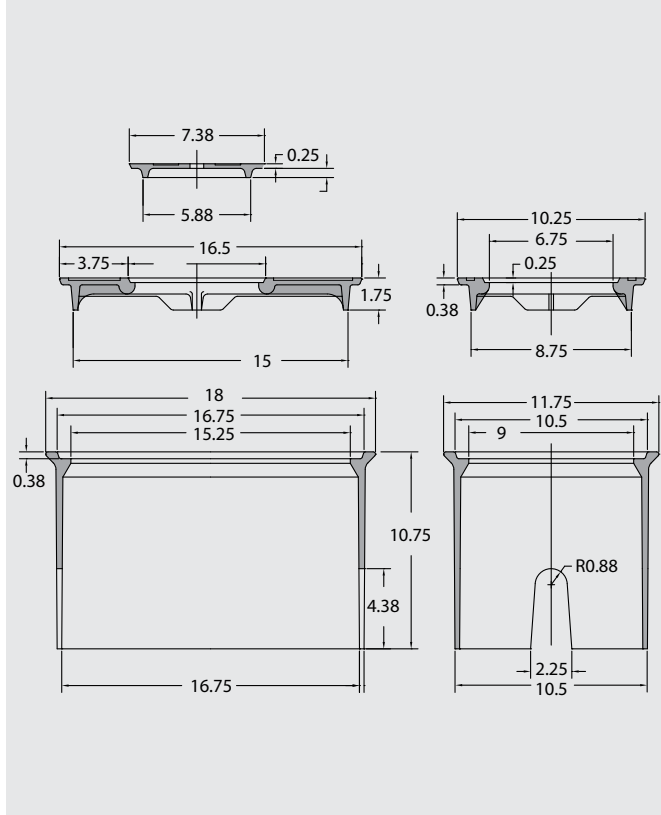
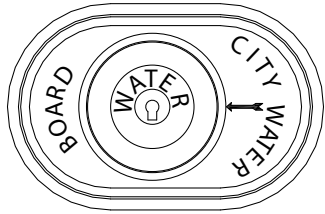


ITEM CODE	DETAILS
MBX-118	COMPLETE

- Notes:**
- Material - Cast Iron
Per ASTM A48 Class 30B
 - Dimensions in Inches

B160 WATER BOARD OVAL METER BOX

MB-0019

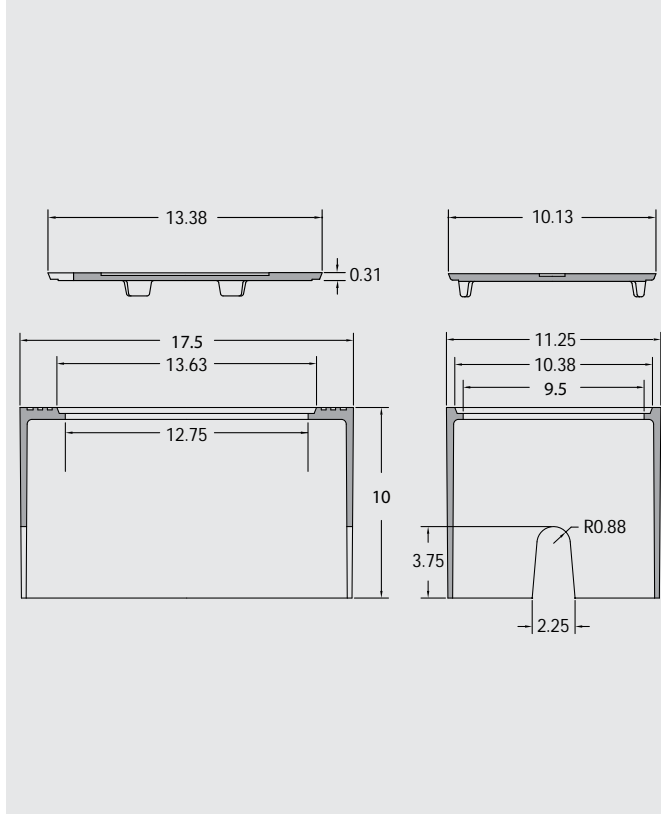
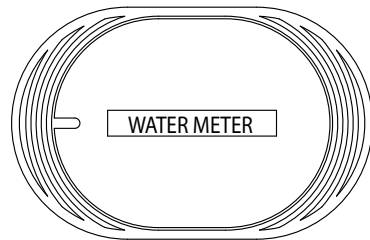


ITEM CODE	DETAILS
MBCWB	COMPLETE

- Notes:**
- Material - Cast Iron
Per ASTM A48 Class 30B
 - Dimensions in Inches

WATER OVAL METER BOX W/ 10" BASE

MB-0020



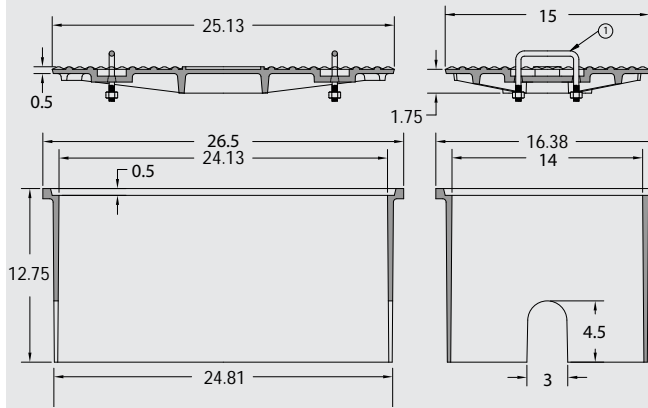
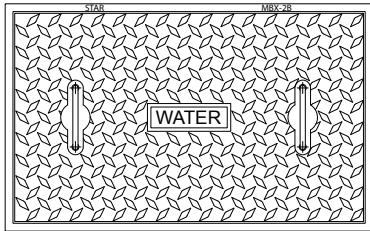
ITEM CODE	DETAILS
MB85	COMPLETE

- Notes:**
- Material - Cast Iron
Per ASTM A48 Class 30B
 - Dimensions in Inches



#2 RECTANGLE METER BOX W/ 12.75" BASE

MB-0021



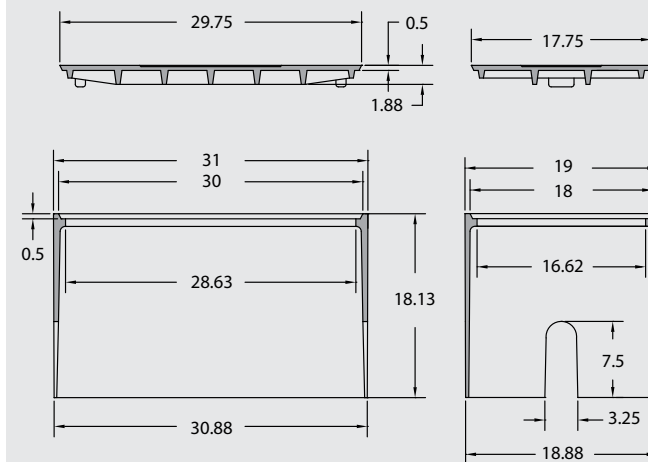
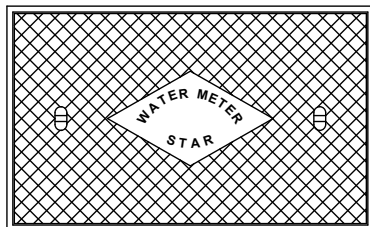
ITEM CODE	DETAILS
MBX-2	COMPLETE

Notes:

- Material - Cast Iron
Per ASTM A48 Class 30B
- 1: Lift Handle - 3/8" Diameter
Steel Standard
- Dimensions in Inches

JUMBO METER BOX W/ 18" BASE

MB-0022



ITEM CODE	DETAILS
MBX-5A	COMPLETE

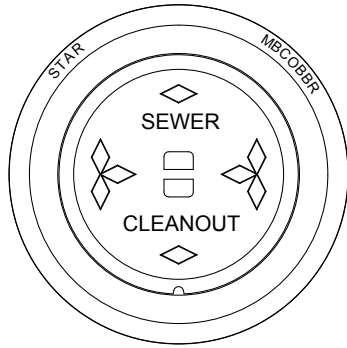
Notes:

- Material - Cast Iron
Per ASTM A48 Class 30B
- Dimensions in Inches

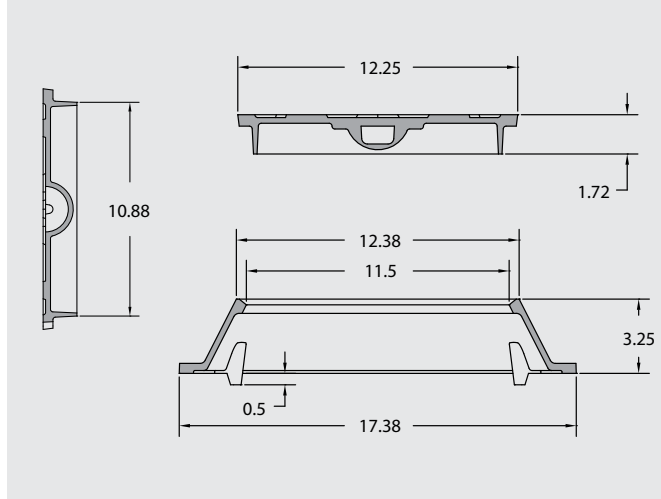


COBB COUNTY METER BOX

MB-0023



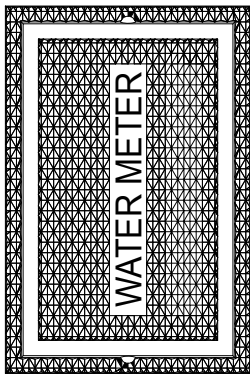
- Notes:**
- Material - Cast Iron
Per ASTM A48 Class 30B
 - Dimensions in Inches



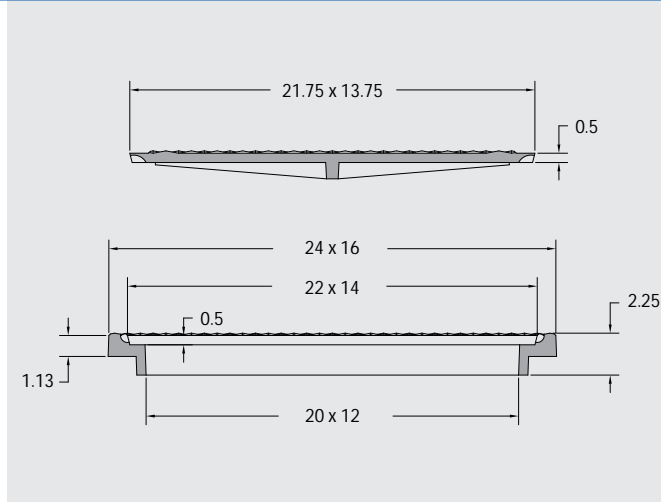
ITEM CODE	DETAILS
MBCOBB	COMPLETE

NASHVILLE STANDARD SMALL METER PLATE FRAME & COVER

MB-0024



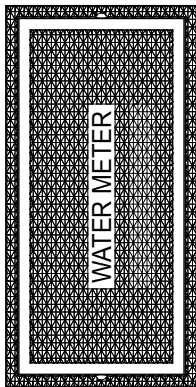
- Notes:**
- Material - Cast Iron
Per ASTM A48 Class 30B
 - Dimensions in Inches



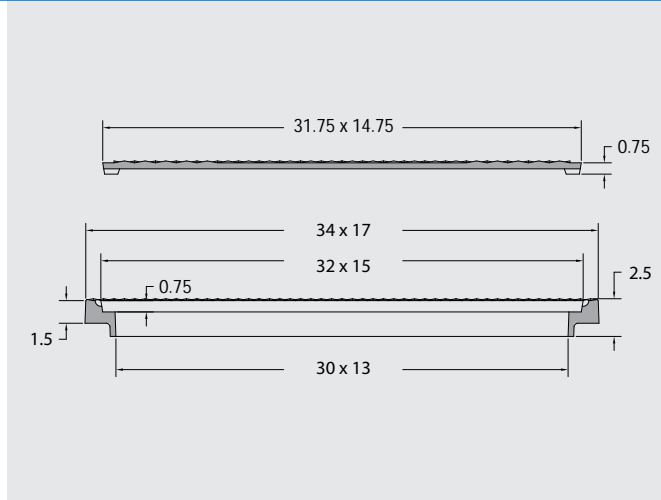
ITEM CODE	DETAILS
MB8110	COMPLETE

NASHVILLE STANDARD LARGE METER PLATE FRAME & COVER

MB-0025



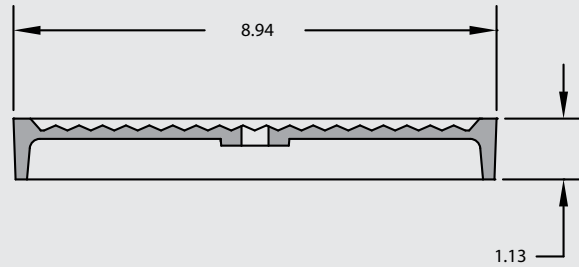
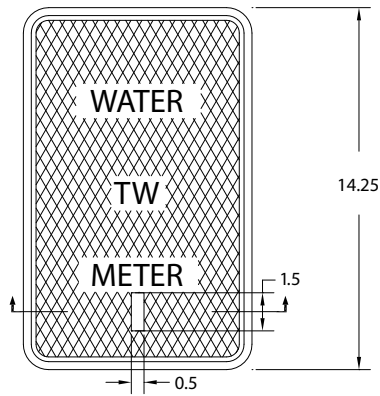
- Notes:**
- Material - Cast Iron
Per ASTM A48 Class 30B
 - Dimensions in Inches



ITEM CODE	DETAILS
MB8120	COMPLETE

AZ-100 LID

MB-0026



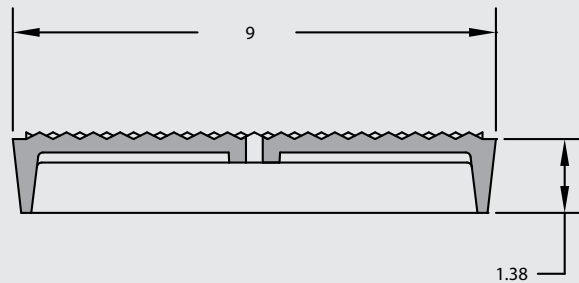
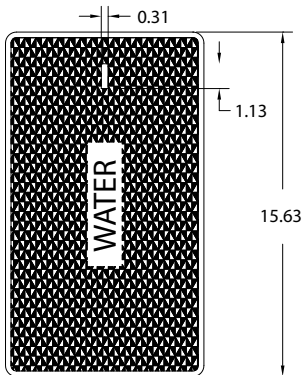
ITEM CODE	DETAILS
VBAZ100L	COMPLETE

Notes:

- Material - Cast Iron
Per ASTM A48 Class 30B
- Dimensions in Inches

AZ-200 LID

MB-0027



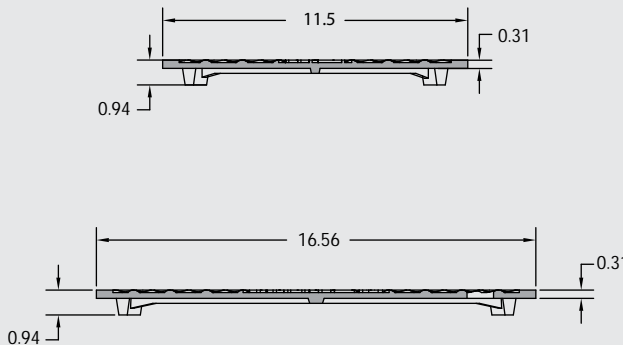
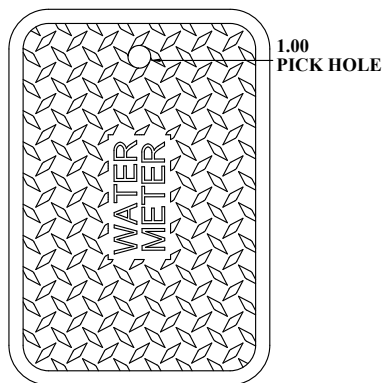
ITEM CODE	DETAILS
VBAZ200L	COMPLETE

Notes:

- Material - Cast Iron
Per ASTM A48 Class 30B
- Dimensions in Inches

11"x17" WATER METER LID

MB-0028



ITEM CODE	DETAILS
MB1117L	11 X 17 LID SOLID
MB1117LR	11 X 17 READER LID

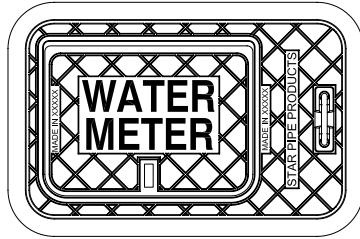
Notes:

- Material - Cast Iron
Per ASTM A48 Class 30B
- Dimensions in Inches

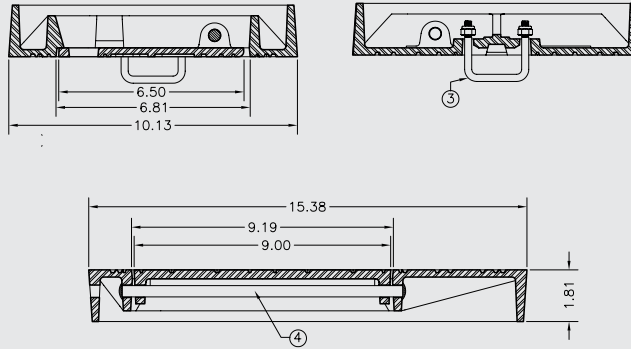


10" X 15" DI MB WATER METER LID

MB-0030



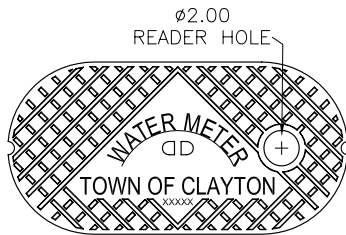
- Notes:**
- Material - Cast Iron
Per ASTM A48 Class 30B
 - Casting to be Gloss Black
Asphaltic Coating
 - Dimensions in Inches



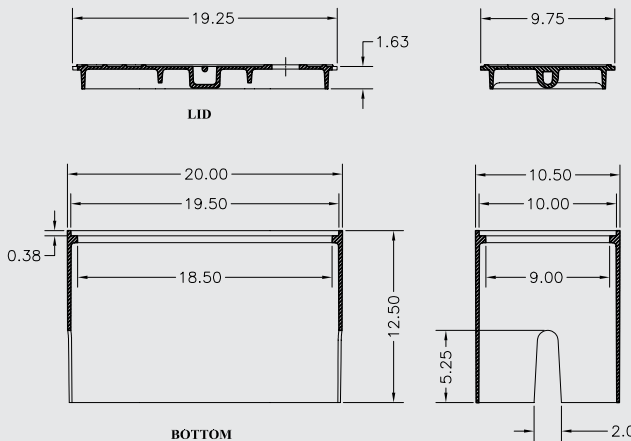
ITEM CODE	DETAILS
MB1015L	COMPLETE

TOWN OF CLAYTON MB W/2" READER HOLE

MB-0031



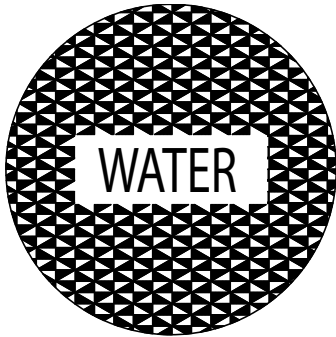
- Notes:**
- Material - Cast Iron
Per ASTM A48 Class 30B
 - Casting to be Gloss Black
Asphaltic Coating
 - Dimensions in Inches



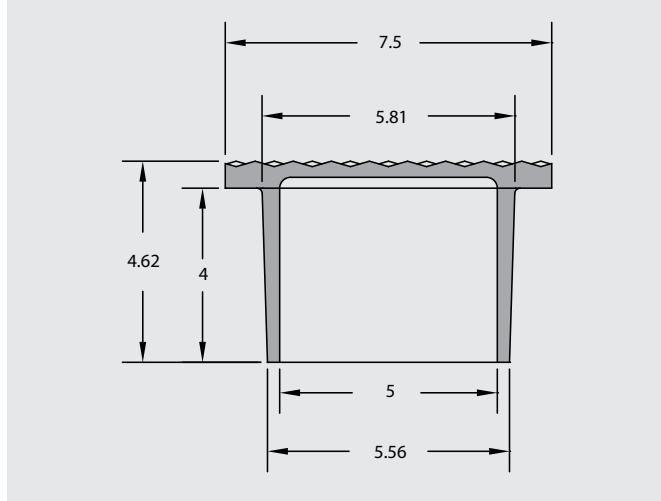
ITEM CODE	DETAILS
MBX-ITC	COMPLETE

6" GATE CAP

MB-0032



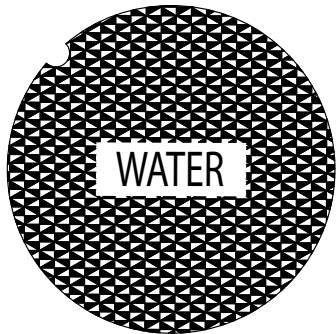
- Notes:**
- Material - Cast Iron
Per ASTM A48 Class 30B
 - Dimensions in Inches



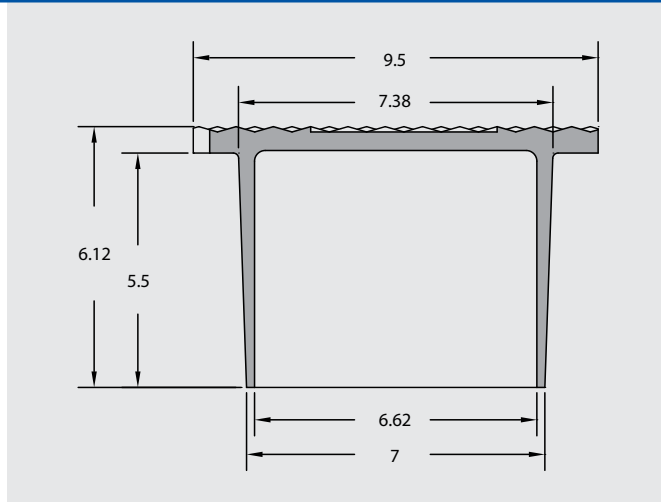
ITEM CODE	DETAILS
GC6	COMPLETE

8" GATE CAP

MB-0033



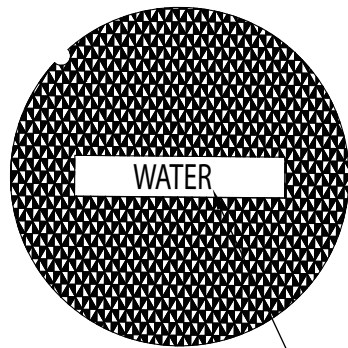
- Notes:**
- Material - Cast Iron
Per ASTM A48 Class 30B
 - Dimensions in Inches



ITEM CODE	DETAILS
GC8	COMPLETE

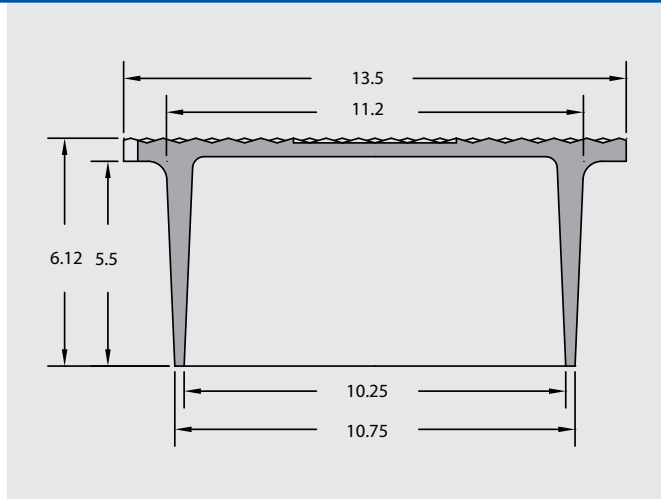
12" GATE CAP

MB-0034



SEE DETAILS FOR OPTIONAL LETTERING

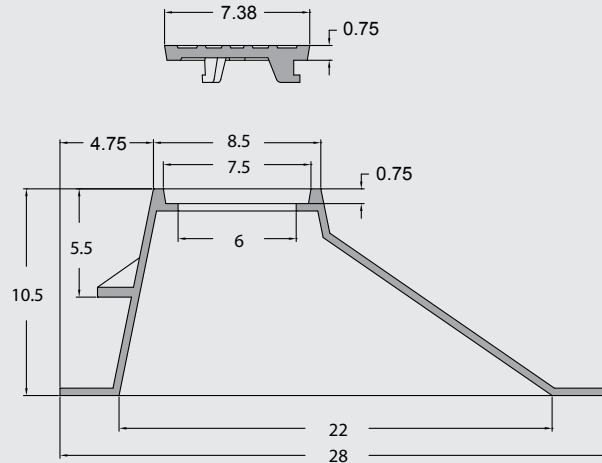
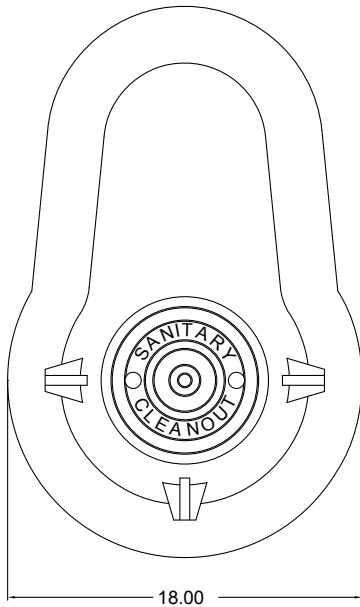
- Notes:**
- Material - Cast Iron
Per ASTM A48 Class 30B
 - Dimensions in Inches



ITEM CODE	DETAILS
GC12W	WATER
GC12ST	STORM
GC12SE	SEWER

CLEANOUT BOOT

MB-0035



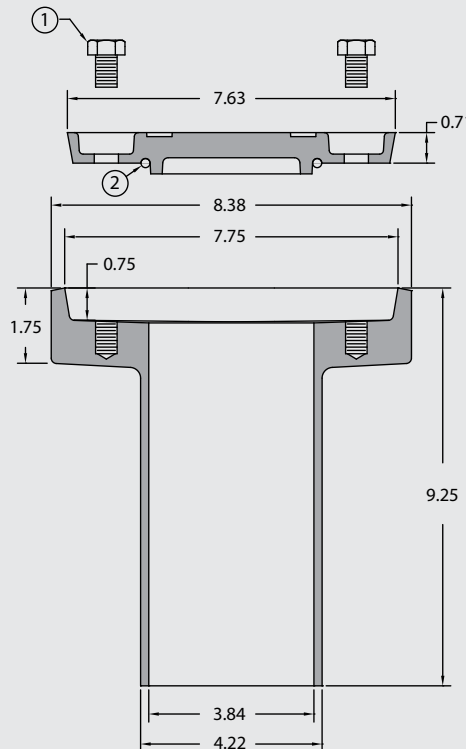
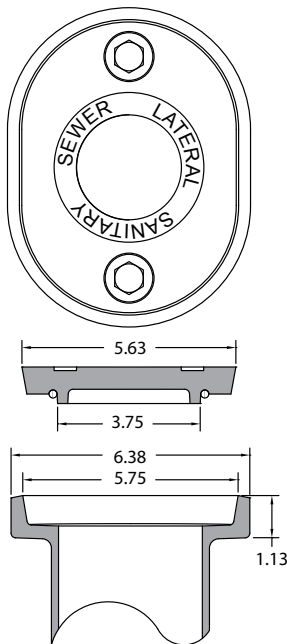
ITEM CODE	DETAILS
CLEANOUT	COMPLETE

Notes:

- Material - Cast Iron
Per ASTM A48 Class 30B
- Dimensions in Inches

CLEANOUT SANITARY SEWER LATERAL

MB-0036



ITEM CODE	DETAILS
CLEANOUTSSL	COMPLETE

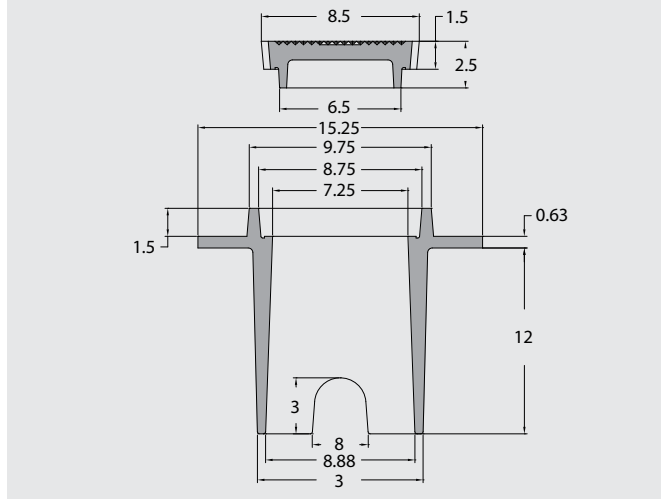
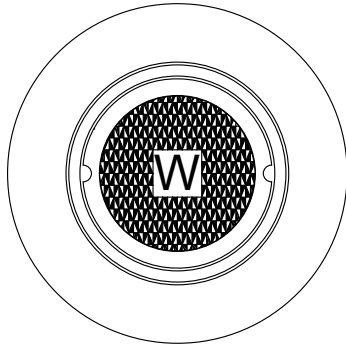
Notes:

- Material - Cast Iron
Per ASTM A48 Class 30B
- 1: 1/2" - 13 UNC x 3/4" Stainless Steel Hex Head Bolt
- 2: 3/16" O-Ring Gasket
- Dimensions in Inches



#2 MIAMI DADE WATER VALVE BOX

MB-0037



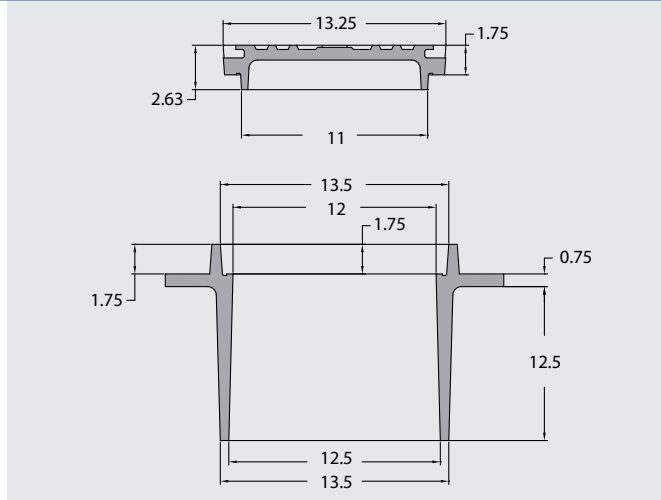
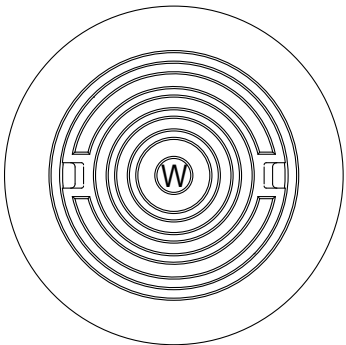
ITEM CODE	DETAILS
CO7615W	COMPLETE

Notes:

- Material - Cast Iron
Per ASTM A48 Class 30B
- Dimensions in Inches

#3 MIAMI DADE WATER VALVE BOX

MB-0038



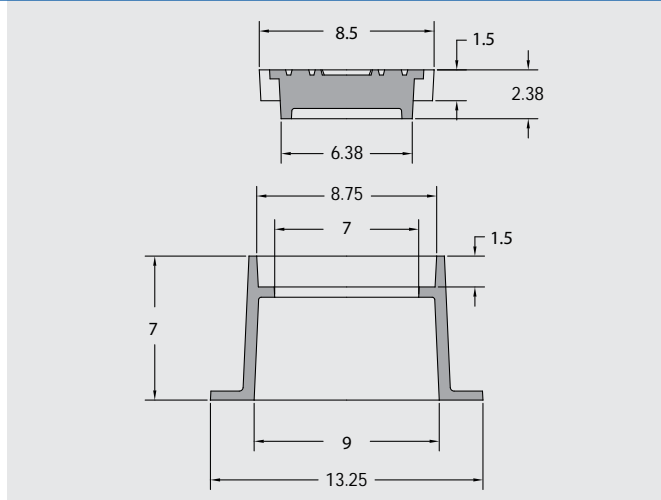
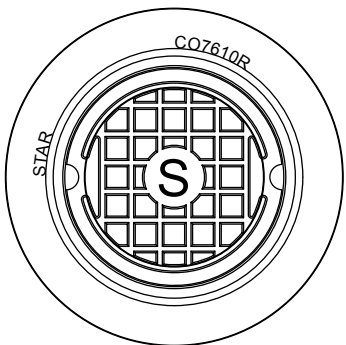
ITEM CODE	DETAILS
CO7630W	COMPLETE

Notes:

- Material - Cast Iron
Per ASTM A48 Class 30B
- Dimensions in Inches

7610 HANDHOLE RING & COVER "S"

MB-0039



ITEM CODE	DETAILS
CO7610S	COMPLETE

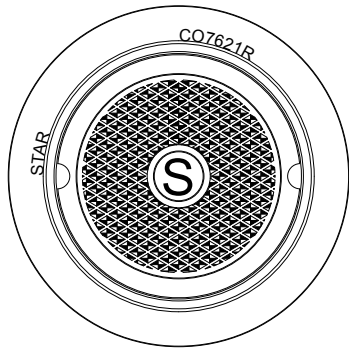
Notes:

- Material - Cast Iron
Per ASTM A48 Class 30B
- Dimensions in Inches

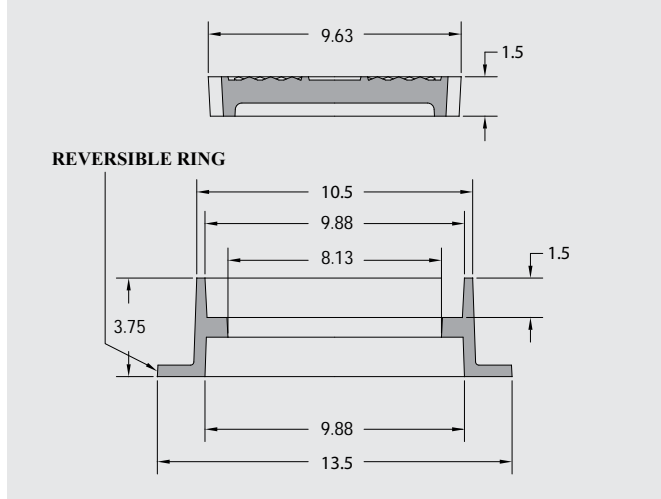


7621 HANDHOLE RING & COVER "S"

MB-0040



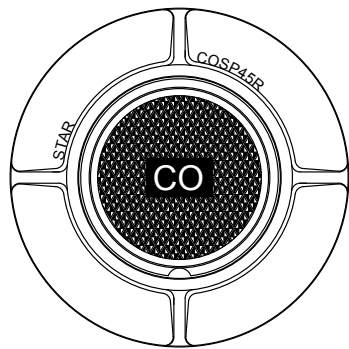
- Notes:**
- Material - Cast Iron
Per ASTM A48 Class 30B
 - Dimensions in Inches



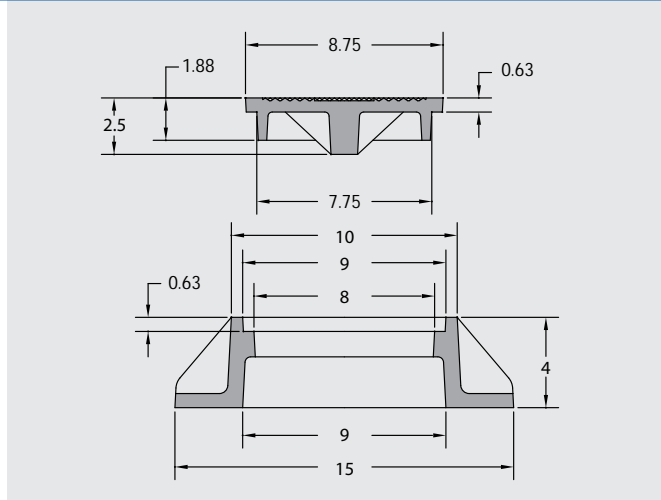
ITEM CODE	DETAILS
CO7621S	COMPLETE

8"x4" NON-LOCKING CLEANOUT RING "CO" COVER

MB-0041



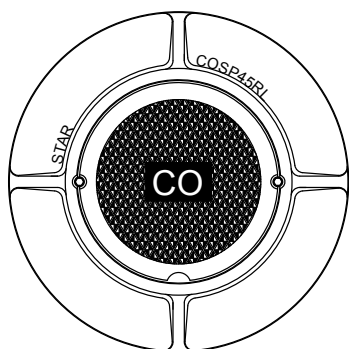
- Notes:**
- Material - Cast Iron
Per ASTM A48 Class 30B
 - Dimensions in Inches



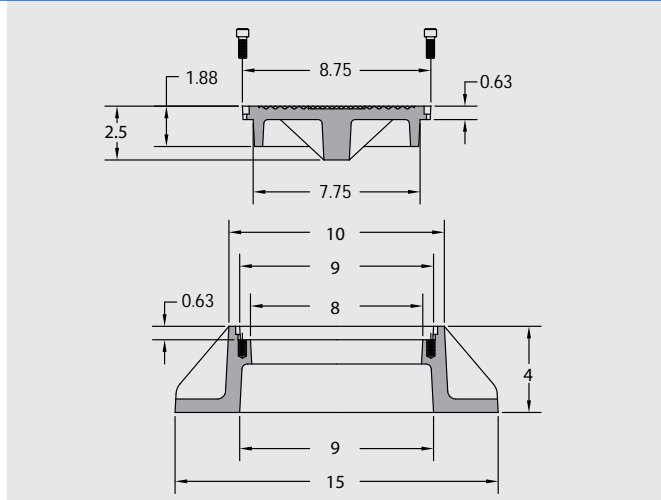
ITEM CODE	DETAILS
COSP45	COMPLETE

8"x4" LOCKING CLEANOUT RING "CO" COVER

MB-0042



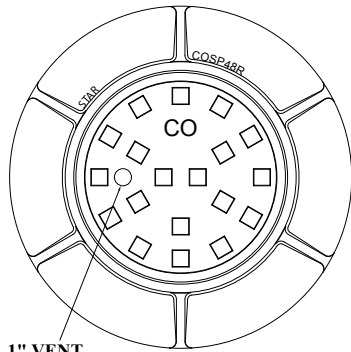
- Notes:**
- Material - Cast Iron
Per ASTM A48 Class 30B
 - Dimensions in Inches
 - (2) 3/8" x 1" SS Socket Head Cap Screw



ITEM CODE	DETAILS
COSP45L	COMPLETE

11"x4" NON-LOCKING CLEANOUT RING "CO" COVER

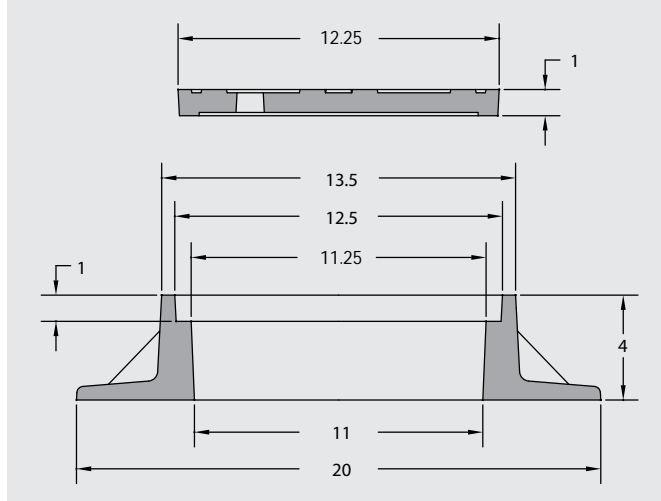
MB-0043



1" VENT HOLE

Notes:

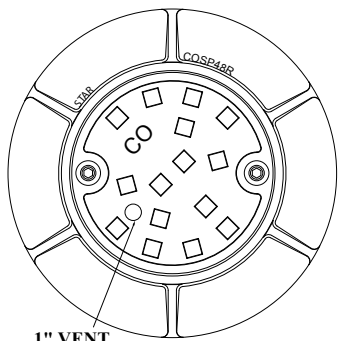
- Material - Cast Iron
Per ASTM A48 Class 30B
- Dimensions in Inches



ITEM CODE	DETAILS
COSP48	COMPLETE

11"x4" LOCKING CLEANOUT RING "CO" COVER

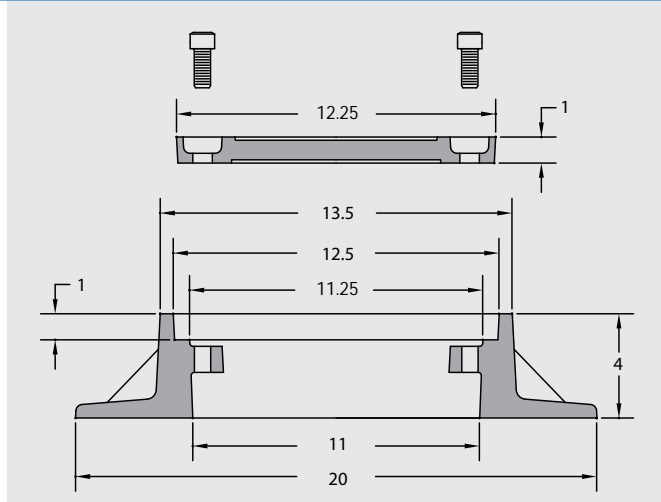
MB-0044



1" VENT HOLE

Notes:

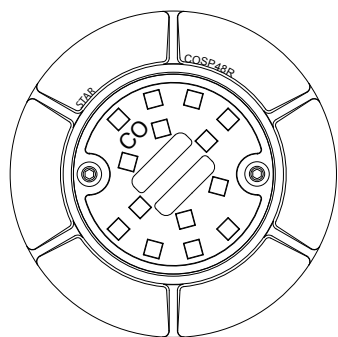
- Material - Cast Iron
Per ASTM A48 Class 30B
- Dimensions in Inches
- (2) 5/8" x 1 1/2" SS Socket Head Cap Screw



ITEM CODE	DETAILS
COSP48L	COMPLETE

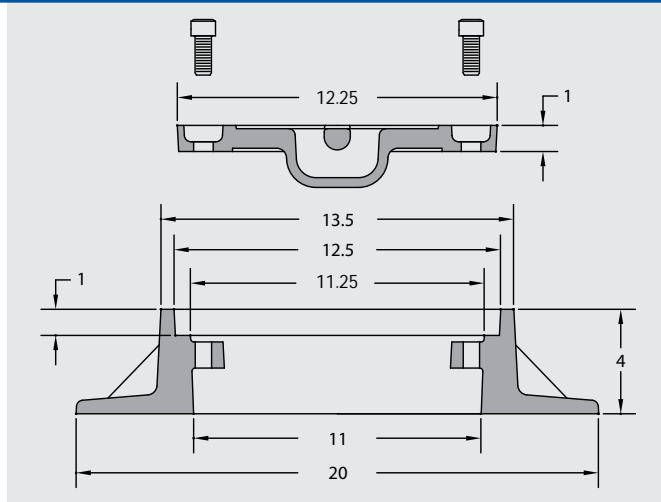
11"x4" LOCKING CLEANOUT RING "CO" COVER W/ HANDLE

MB-0045



Notes:

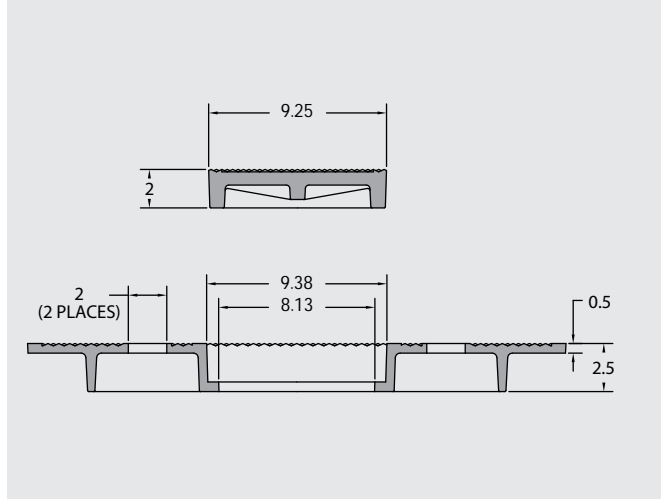
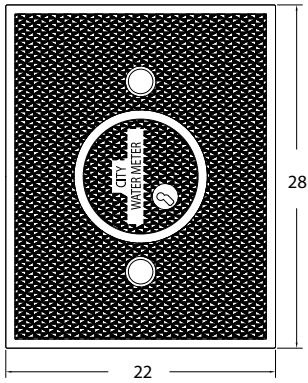
- Material - Cast Iron
Per ASTM A48 Class 30B
- Dimensions in Inches
- (2) 5/8" x 1 1/2" SS Socket Head Cap Screw



ITEM CODE	DETAILS
COSP48LH	COMPLETE

ALBUQUERQUE LIGHT DUTY METER BOX W/ 2 READER HOLES

MB-0046



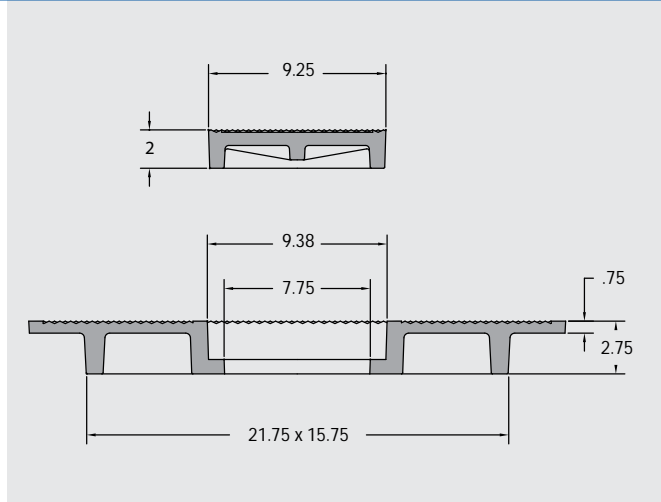
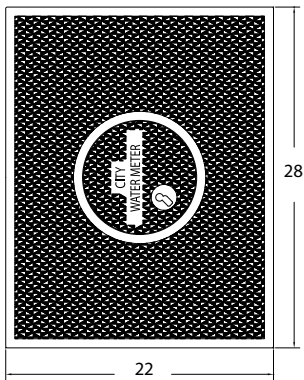
ITEM CODE	DETAILS
MBALBLD2R	COMPLETE

Notes:

- Material - Cast Iron
Per ASTM A48 Class 30B
- Dimensions in Inches

ALBUQUERQUE HEAVY DUTY METER BOX

MB-0047



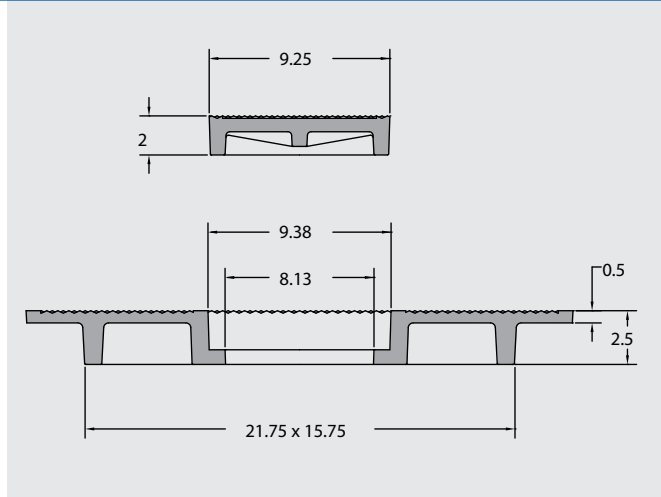
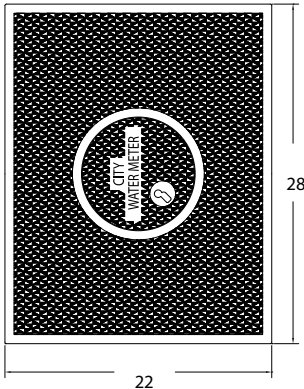
ITEM CODE	DETAILS
MBALBHD	COMPLETE

Notes:

- Material - Cast Iron
Per ASTM A48 Class 30B
- Dimensions in Inches

ALBUQUERQUE LIGHT DUTY METER BOX

MB-0048



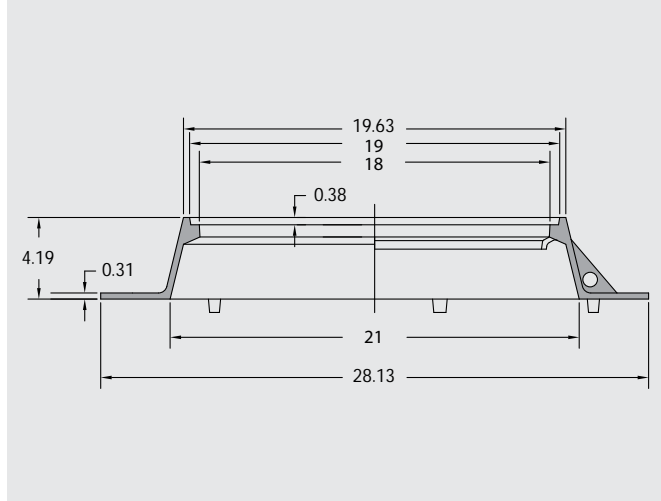
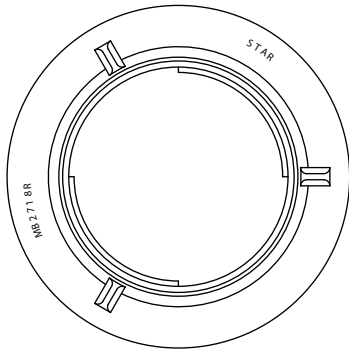
ITEM CODE	DETAILS
MBALBLD	COMPLETE

Notes:

- Material - Cast Iron
Per ASTM A48 Class 30B
- Dimensions in Inches

WATER METER PIT FRAME

MB-0049



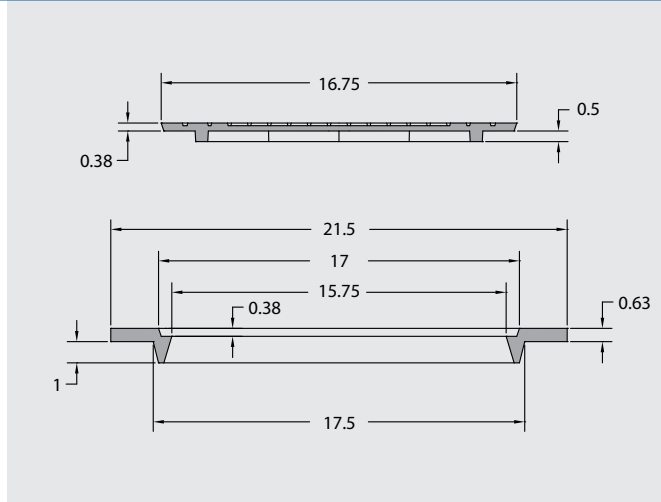
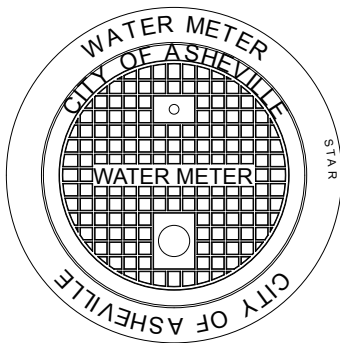
ITEM CODE	DETAILS
MB2718R	COMPLETE

Notes:

- Material - Cast Iron
Per ASTM A48 Class 30B
- Dimensions in Inches

CITY OF ASHEVILLE 5/8" WATER METER BOX

MB-0050



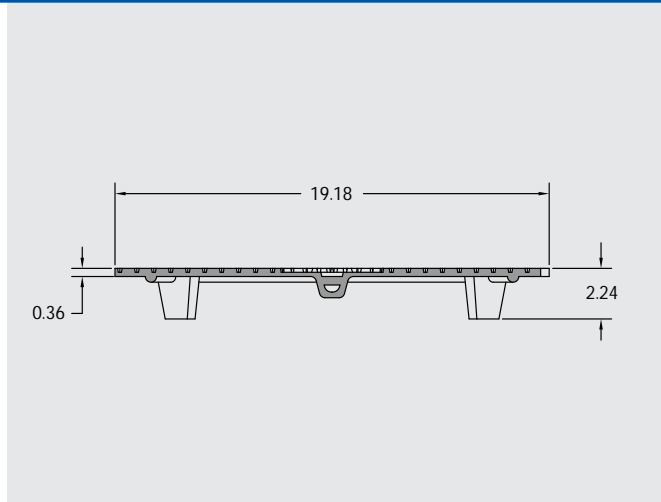
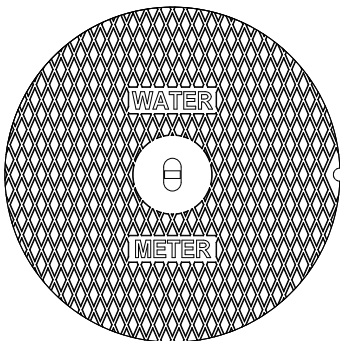
ITEM CODE	DETAILS
MBASHEVILLE	COMPLETE

Notes:

- Material - Cast Iron
Per ASTM A48 Class 30B
- Dimensions in Inches

FB-18 WATER METER LID

MB-0051



ITEM CODE	DETAILS
MBFB18	COMPLETE

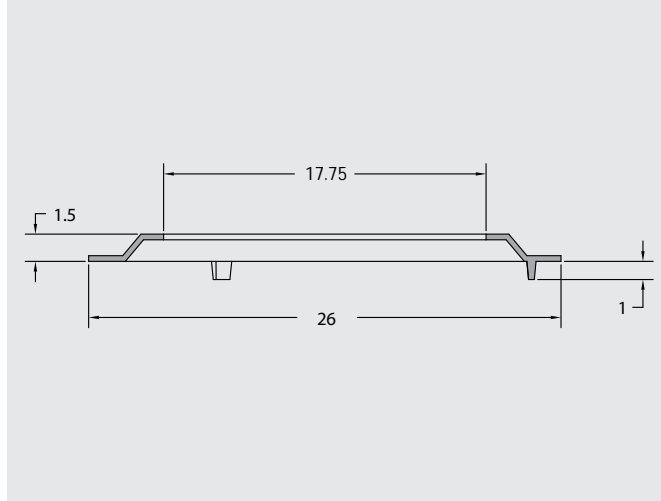
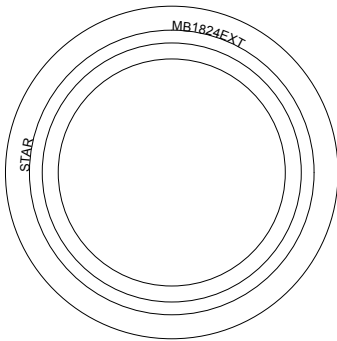
Notes:

- Material - Cast Iron
Per ASTM A48 Class 30B
- Dimensions in Inches



18" x 24" ADAPTOR RING FOR 24" TILE

MB-0052



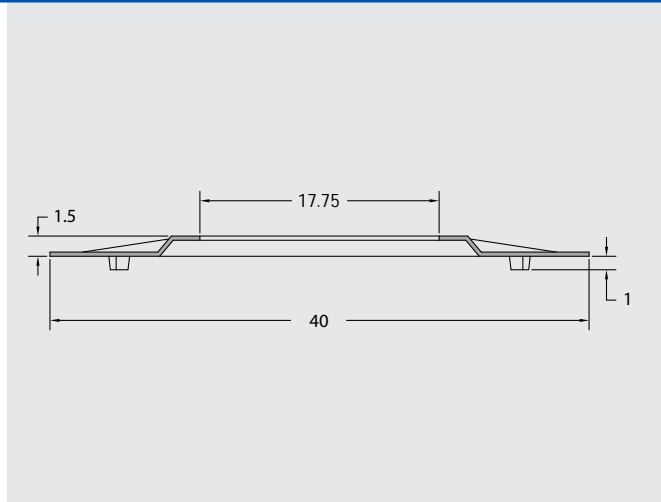
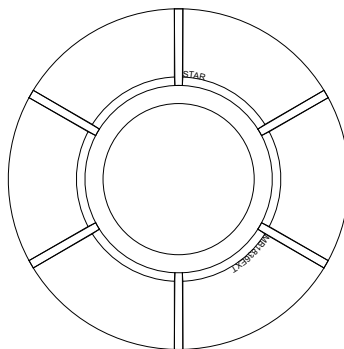
ITEM CODE	DETAILS
MB1824EXT	COMPLETE

Notes:

- Material - Cast Iron
Per ASTM A48 Class 30B
- Dimensions in Inches

18" x 36" ADAPTOR RING FOR 36" TILE

MB-0053



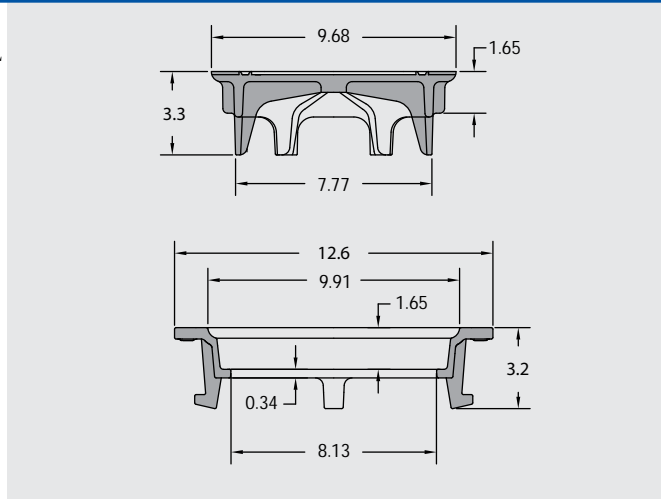
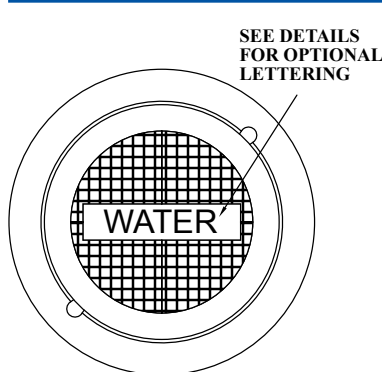
ITEM CODE	DETAILS
MB1836EXT	COMPLETE

Notes:

- Material - Cast Iron
Per ASTM A48 Class 30B
- Dimensions in Inches

1RT/3RT

MB-0054



ITEM CODE	LETTERING
BRT1/3RTCO	CLEANOUT
BRT1/3RTCPT	CP TEST
BRT1/3RTG	GAS
BRT1/3RTGD	GROUND
BRT1/3RTS	SEWER
BRT1/3RTST	STORM
BRT1/3RTW	WATER
BR1/3RTR	RING ONLY

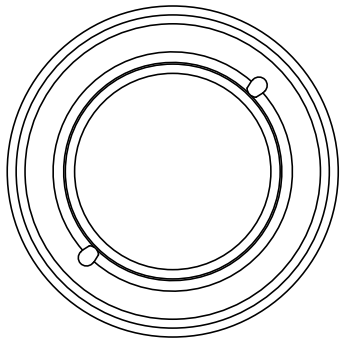
Notes:

- Material - Cast Iron
Per ASTM A48 Class 30B
- Dimensions in Inches

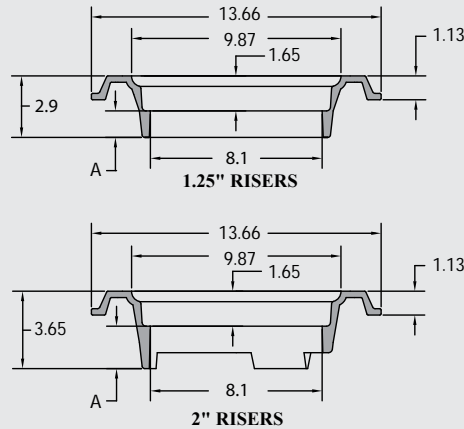


1RT/3RT 1.25"-2" RISERS

MB-0055



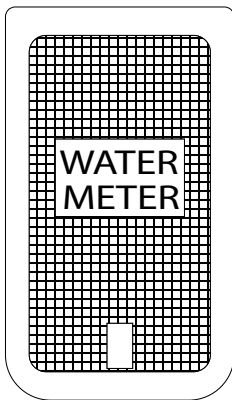
- Notes:**
- Material - Cast Iron
Per ASTM A48 Class 30B
 - Dimensions in Inches



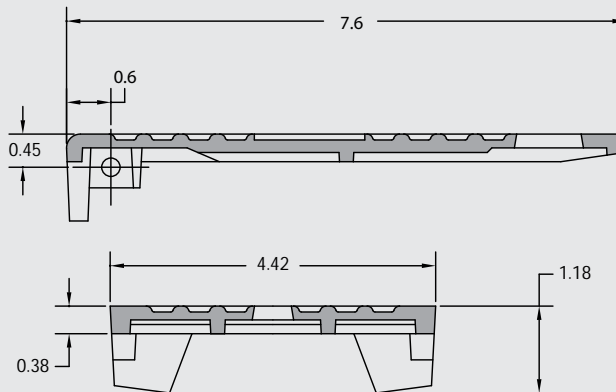
ITEM CODE	DETAILS
BR1/2RT1.25R	1 1/4" RISER
BR1/3RT2R	2" RISER

#36H4 WATER METER LID

MB-0056



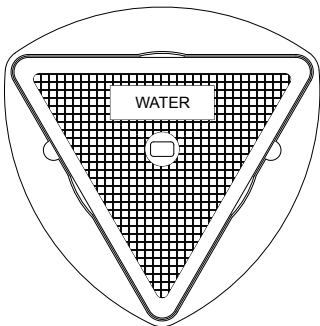
- Notes:**
- Material - Cast Iron
Per ASTM A48 Class 30B
 - Dimensions in Inches



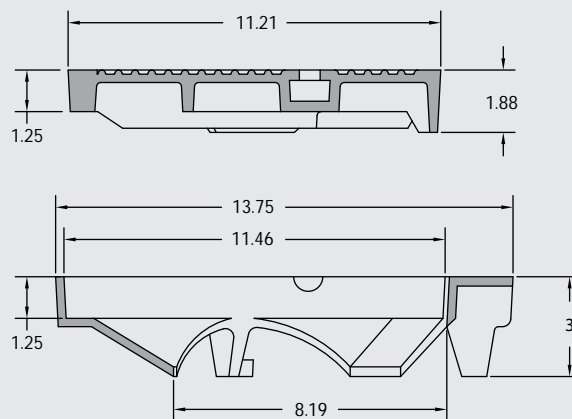
ITEM CODE	DETAILS
BR36H4L	COMPLETE

#4TT WATER METER

MB-0057



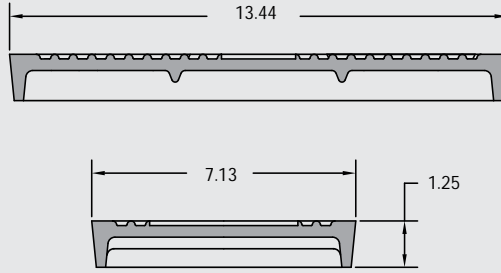
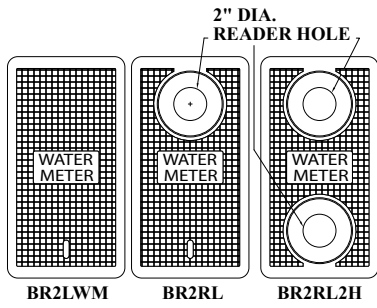
- Notes:**
- Material - Cast Iron
Per ASTM A48 Class 30B
 - Dimensions in Inches



ITEM CODE	DETAILS
BR4TT	COMPLETE
BR4TTLW	LID
BR4TTR	RING

#2 WATER METER LIDS

MB-0058

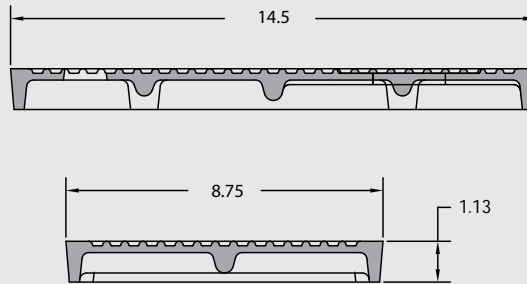
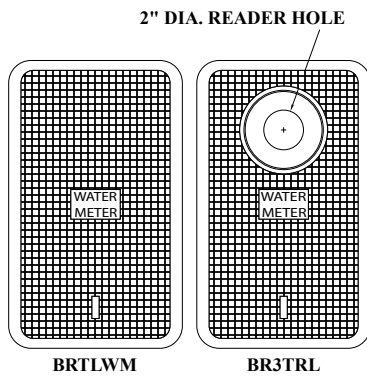


ITEM CODE	DETAILS
BR2LWM	WATER METER LID
BR2RL	TOUCH & READ
BR2RL2H	2 TOUCH & READ

- Notes:**
- Material - Cast Iron
Per ASTM A48 Class 30B
 - Dimensions in Inches

#3T WATER METER LIDS

MB-0059

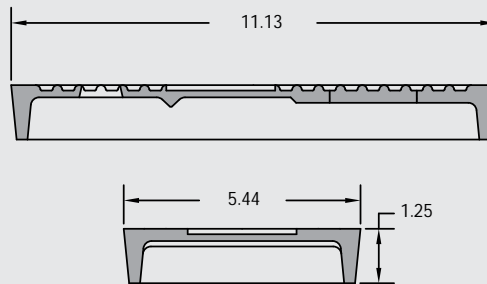
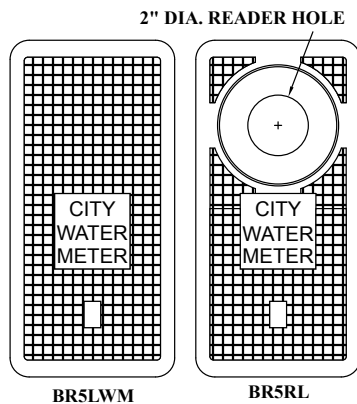


ITEM CODE	DETAILS
BR3TLWM	WATER METER LID
BR3TRL	TOUCH & READ

- Notes:**
- Material - Cast Iron
Per ASTM A48 Class 30B
 - Dimensions in Inches

#5 WATER METER LIDS

MB-0060

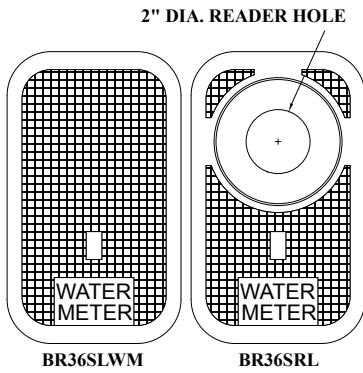


ITEM CODE	DETAILS
BR5LWM	WATER METER LID
BR5RL	TOUCH & READ

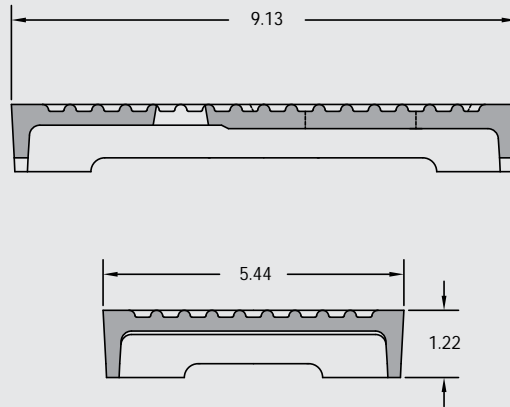
- Notes:**
- Material - Cast Iron
Per ASTM A48 Class 30B
 - Dimensions in Inches

#36S WATER METER LIDS

MB-0061



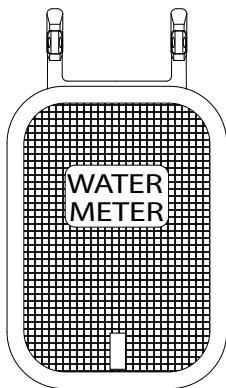
- Notes:**
- Material - Cast Iron
 - Per ASTM A48 Class 30B
 - Finish - Black Enamel Paint
 - Dimensions in Inches



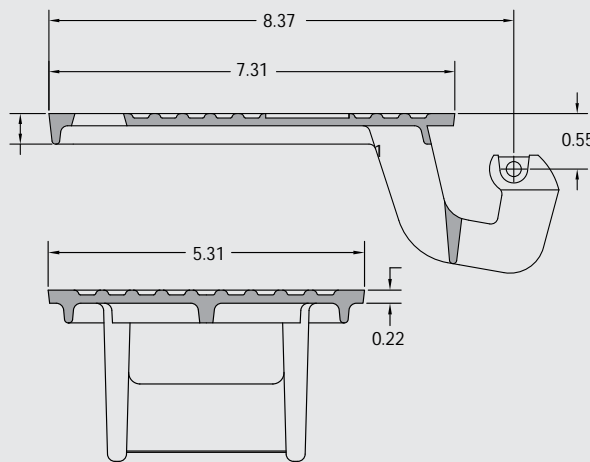
ITEM CODE	DETAILS
BR36SLWM	WATER METER LID
BR36SRL	TOUCH & READ

#36HI NON-LOCKING WATER METER LID

MB-0062



- Notes:**
- Material - Cast Iron
 - Per ASTM A48 Class 30B
 - Finish - Black Enamel Paint
 - Dimensions in Inches

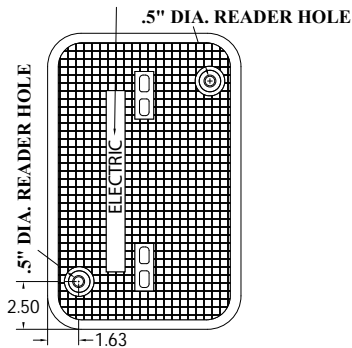


ITEM CODE	DETAILS
BR36HILWM	COMPLETE

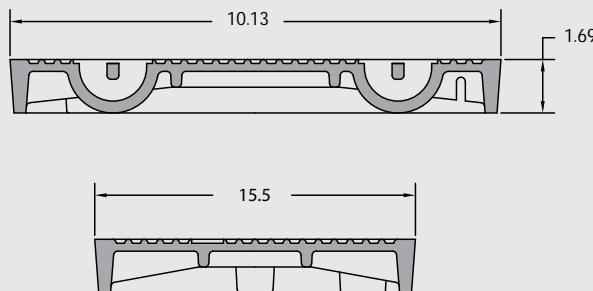
#36TPB GALVANIZED LID

MB-0063

SEE DETAILS FOR OPTIONAL LETTERING



- Notes:**
- Material - Cast Iron
 - Per ASTM A48 Class 30B
 - Finish - Hot Dipped Galvanized
 - Dimensions in Inches



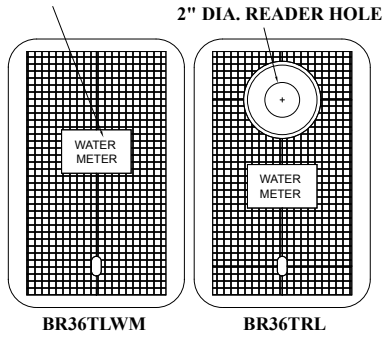
ITEM CODE	DETAILS
BR36TPBLE	ELECTRIC
BR36TPBLSL	STREET LIGHTING
BR36TPBLL	LIGHTING
BR36TPBLTS	TRAFFIC SIGNAL
BR36TPBLGD	GROUND



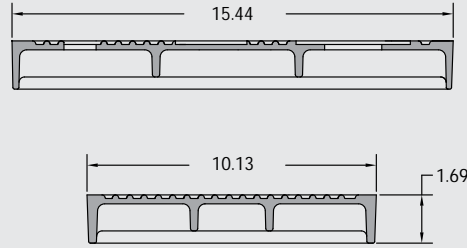
#36T WATER METER LIDS

MB-0064

SEE AVAILABLE MARKINGS
IN TABLE



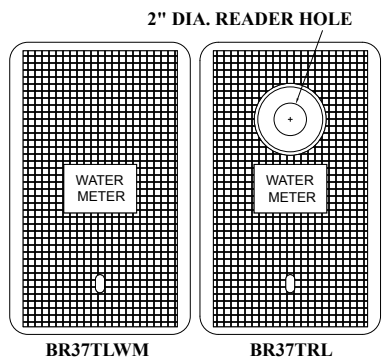
- Notes:**
- Material - Cast Iron
 - Per ASTM A48 Class 30B
 - Finish - Black Enamel Paint
 - Dimensions in Inches



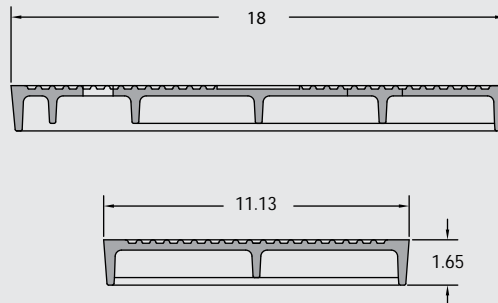
ITEM CODE	DETAILS
BR36TLWM	WATER METER
BR36TLS	SEWER
BR36TRL	1 TOUCH & READ

#37T WATER METER LIDS

MB-0065



- Notes:**
- Material - Cast Iron
 - Per ASTM A48 Class 30B
 - Finish - Black Enamel Paint
 - Dimensions in Inches

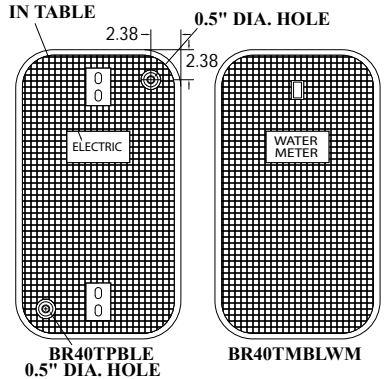


ITEM CODE	DETAILS
BR37TLWM	WATER METER
BR37TLS	1 TOUCH & READ

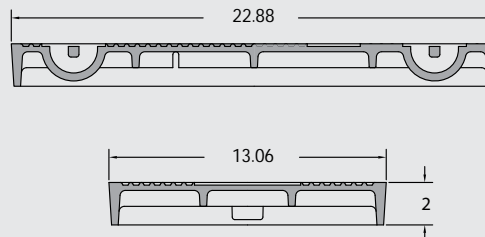
#40T WATER METER LIDS

MB-0066

SEE AVAILABLE MARKINGS
IN TABLE



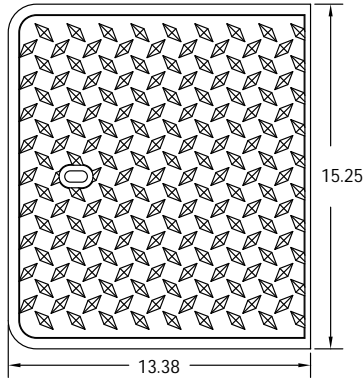
- Notes:**
- Material - Cast Iron
 - Per ASTM A48 Class 30B
 - Finish - Black Enamel Paint or Galvanized
 - Dimensions in Inches



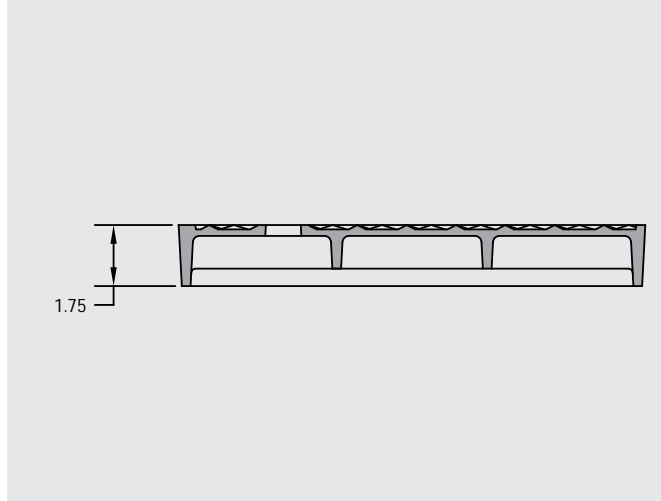
ITEM CODE	DETAILS
GALVANIZED	
BR40TPBLE	ELECTRIC
BR40TPBLSL	STREET LIGHTING
BR40TPBLTS	TRAFFIC SIGNAL
BLACK ENAMEL	
BR40TPBLWM	WATER METER

WATER METER LID

MB-0067



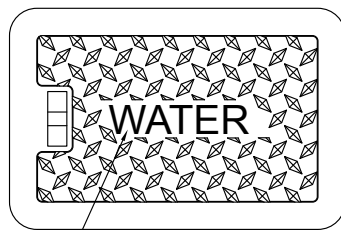
- Notes:**
- Material - Cast Iron
Per ASTM A48 Class 30B
 - Dimensions in Inches



ITEM CODE	DETAILS
OC65TWM	COMPLETE

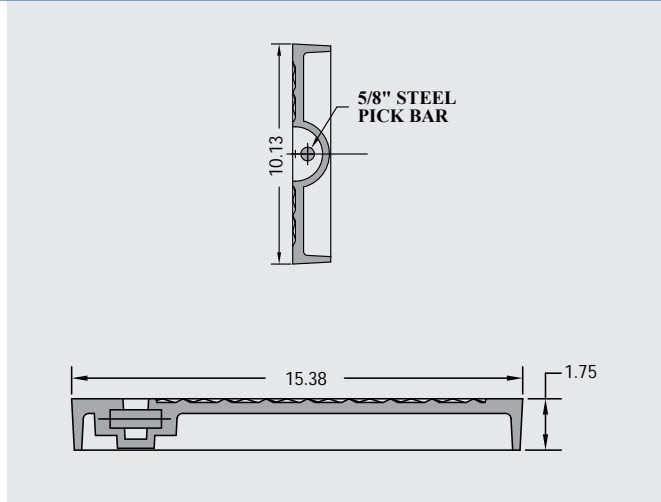
10"x15" NON-LOCKING LID

MB-0068



SEE DETAILS FOR OPTIONAL LETTERING

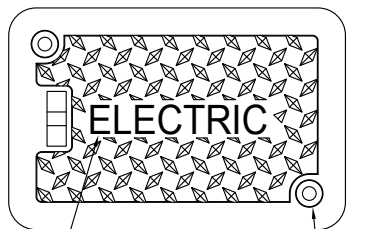
- Notes:**
- Material - Cast Iron
Per ASTM A48 Class 30B
 - Dimensions in Inches



ITEM CODE	DETAILS
OC36WM	WATER
OC36ELE	ELECTRIC
OC36COM	COMMUNICATION

10"x15" LOCKING LID

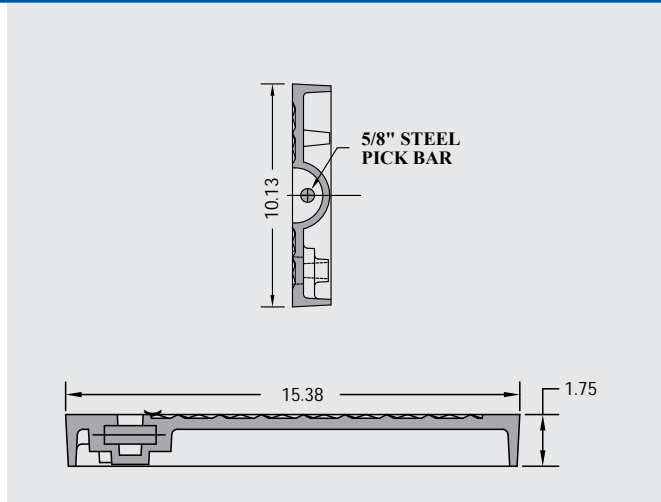
MB-0069



SEE DETAILS FOR OPTIONAL LETTERING

0.63 HOLE SIZE (2)

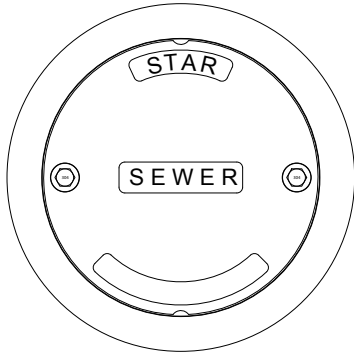
- Notes:**
- Material - Cast Iron
Per ASTM A48 Class 30B
 - Dimensions in Inches



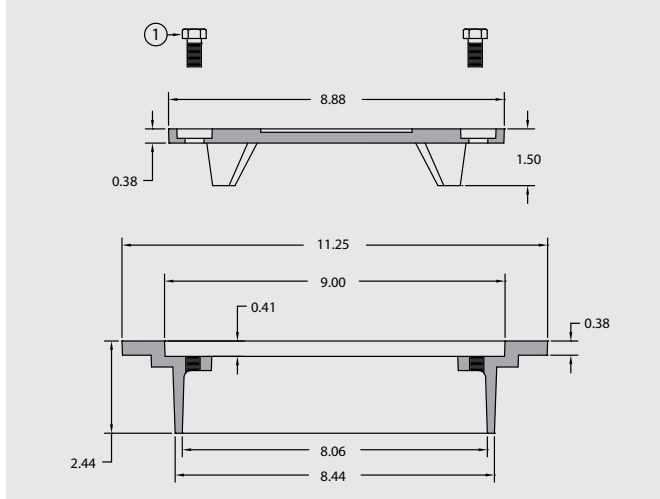
ITEM CODE	DETAILS
OC36ELELK	ELECTRIC
OC36COMLK	COMMUNICATION

8"x9" SEWER CLEANOUT

MB-0070



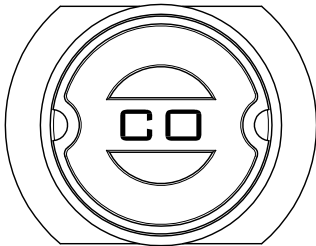
- Notes:**
- Material - Cast Iron
Per ASTM A48 Class 30B
 - 1: 3/8"-16 UNC x 3/4" Stainless Steel
Hex Head Bolt
 - Dimensions in Inches



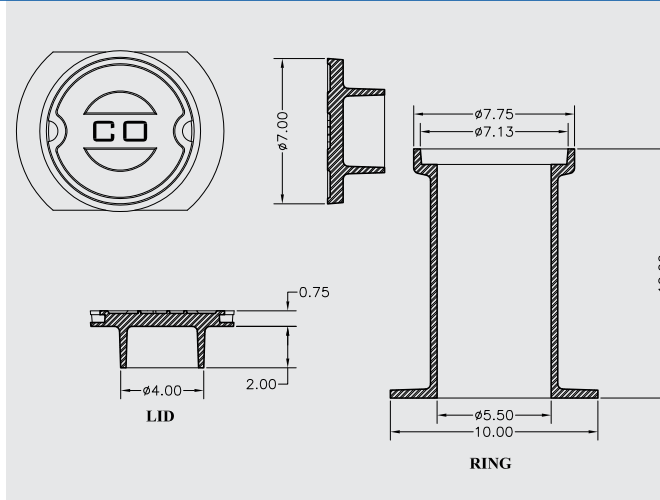
ITEM CODE	DETAILS
CLEANOUT829S	COMPLETE

WILMINGTON "CO" CLEANOUT

MB-0071



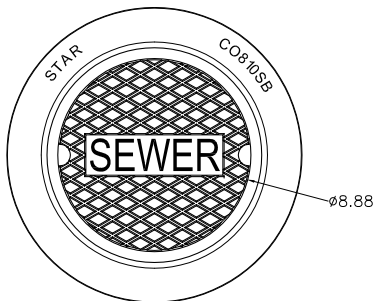
- Notes:**
- Material - Cast Iron
Per ASTM A48 Class 30B
 - Dimensions in Inches



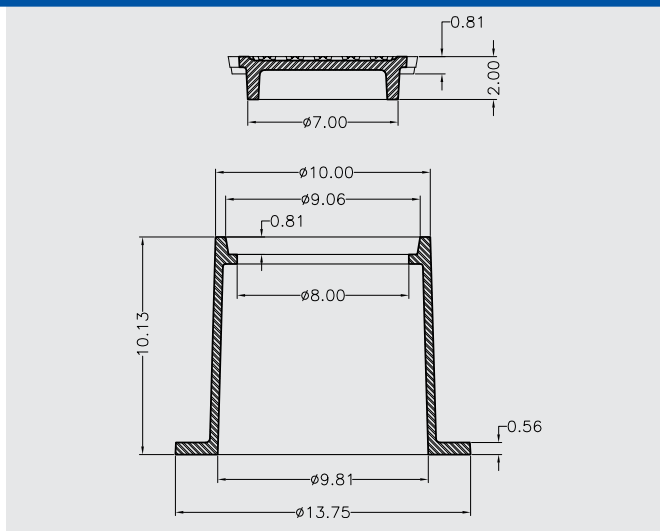
ITEM CODE	DETAILS
CO712	COMPLETE

8"x 10" SEWER CLEANOUT

MB-0072



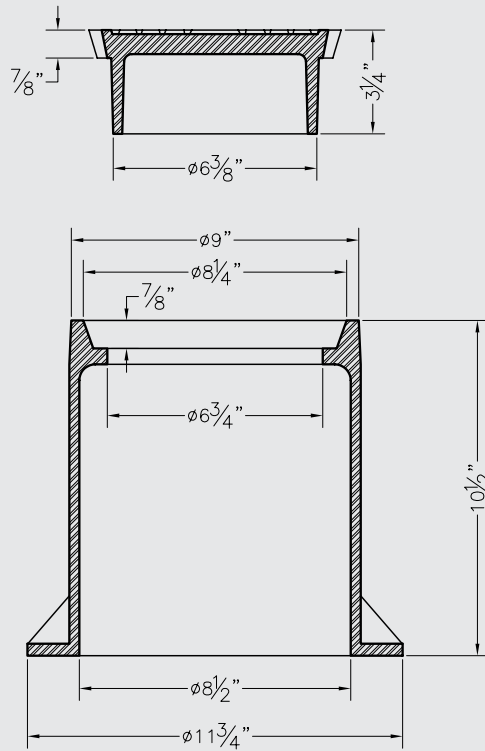
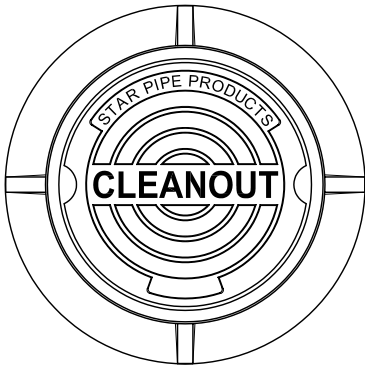
- Notes:**
- Material - Cast Iron
Per ASTM A48 Class 30B
 - Dimensions in Inches



ITEM CODE	DETAILS
CO810S	COMPLETE

8" CITY OF BOSTON CLEANOUT

MB-0073



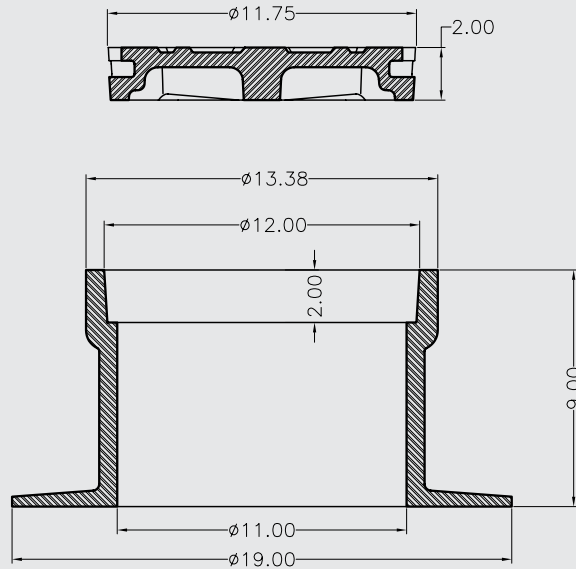
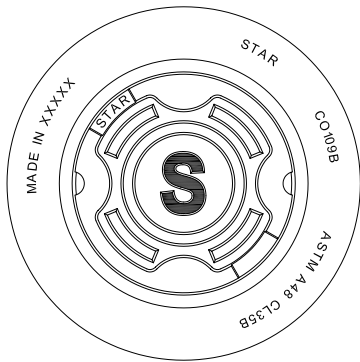
ITEM CODE	DETAILS
CO8BOS	COMPLETE

Notes:

- Material - Cast Iron
Per ASTM A48 Class 30B
- Casting to be Black Bitumen Painted
- Dimensions in Inches

10" TRAFFIC RATED CLEANOUT

MB-0074



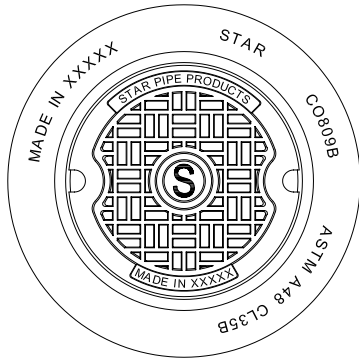
ITEM CODE	DETAILS
CO109S	COMPLETE

Notes:

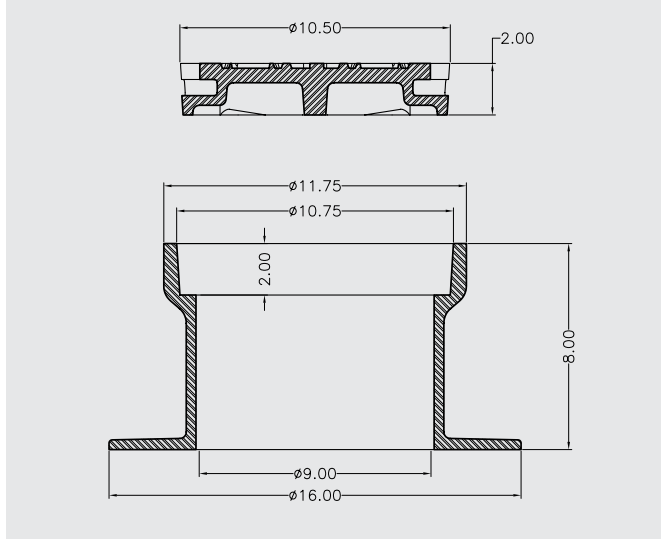
- Material - Cast Iron
Per ASTM A48 Class 30B
- Casting to be Gloss Black
Asphaltic Coating
- Dimensions in Inches

LAMPHOLE CLEANOUT "S"

MB-0075



- Notes:**
- Material - Cast Iron
Per ASTM A48 Class 30B
 - Casting to be Gloss Black
Asphaltic Coating
 - Dimensions in Inches



ITEM CODE	DETAILS
CO809S	COMPLETE