

# Mechanical Physician Scales

## Specifications

**Capacity:**

180 kg x 100 g

**Platform Dimensions:**

(W x L) 10.75 x 14.75 in

**Height Rod:**

60-212 cm

**Height Division:**

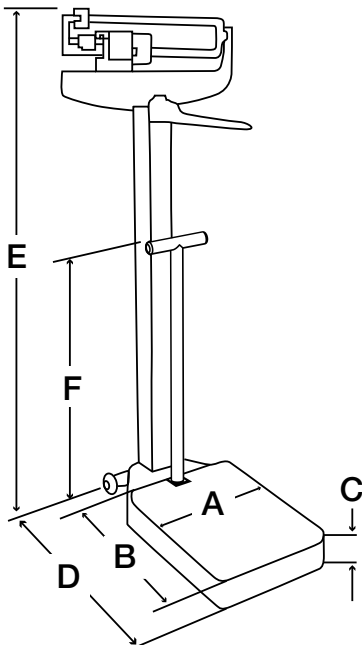
0.1 cm

**Warranty:**

Two-year limited warranty



Model RL-MPS-30



## Standard Features

- Sturdy enameled steel body
- Die-cast beam
- Rugged scale understructure
- Slip-resistant plastic base cover
- Retractable aluminum height rod, centimeter only
- Easy operation with two sliding weights
- Rear wheels for portability ease

## Part Number/Price

Part #	Model	Capacity	Est. Weight	Price
132703	RL-MPS-30	180 kg x 100 g	44 lb	\$273.00

Dimensions			
A	10.75 in (27.3 cm)	D	22.25 in (56.5 cm)
B	14.75 in (37.5 cm)	E	58.5 in (148.6 cm)
C	4.125 in (10.5 cm)	F	31.5 in (80 cm)