

# 482/482 Plus Legend Series

Digital Weight Indicator

## Part Number/Price: 482

Part #	Description	Est. Weight	Price
<b>482 115 VAC †</b>			
164581	482 LCD	8 lb	\$725.00
164582	482 LCD with internal battery	8 lb	\$925.00
<b>482 90-264 VAC ††</b>			
164672	482 LCD	8 lb	\$725.00
164583	482 LCD with internal battery	8 lb	\$925.00

## Part Number/Price: 482 Plus

Part #	Description	Est. Weight	Price
<b>482 Plus 115 VAC †</b>			
164584	482 Plus LCD	8 lb	\$725.00
164585	482 Plus LCD with internal battery	8 lb	\$925.00
<b>482 Plus 90-264 VAC ††</b>			
164673	482 Plus LCD	8 lb	\$725.00
164586	482 Plus LCD with internal battery	8 lb	\$925.00



† NEMA 5-15 plug

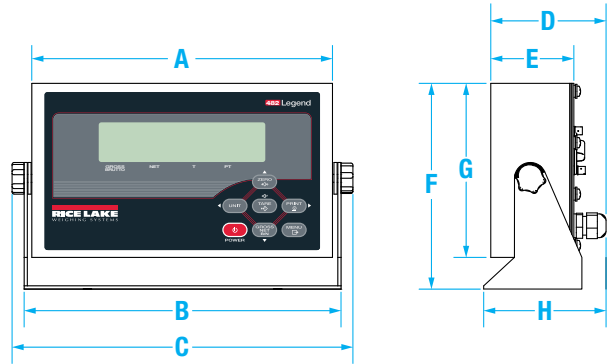


†† CEE 7/7 plug (Euro)

## Options/Accessories

Part #	Description	Price
131340	Mounting bracket for option boards	\$25.00
131341	Analog output, 0-10 VDC, 4-20 mA (requires 131340)	\$300.00
131342	Relay board, two digital inputs, four dry contact outputs (requires 131340)	\$150.00
164600	USB and Ethernet TCP/IP (requires 131340)	\$300.00
164604	Ethernet cable with cord grip, 6 ft	\$50.00
164602	USB cable with cord grip, type A female, 6 in	\$50.00
167707	USB cable with cord grip, type A male, 6 ft	\$50.00
167708	USB cable with cord grip, type B male, 6 ft	\$50.00
165379	Flash update cable	\$50.00
164650	Battery kit, rechargeable lithium ion	\$200.00
151100	A/D sealing kit, used with audit trail tracking	\$30.00
151099	Panel mount bezel (not NEMA Type rated)	\$150.00
83564	Clear protective overlay (package of five)	\$65.00
77925*	Revolution® scale software, CD	\$35.00
165124	Installation manual	\$25.00
<b>Primary Replacement Components</b>		
161048	Overlay, 482 6-key, green window	\$55.00
161049	Overlay, 482 Plus with numeric keys, green window	\$55.00
153776	Display board, LCD	\$125.00
131316	Power supply, 85-265 VAC	\$52.00
131318	CPU board	\$235.00
131319	A/D board	\$180.00

\* Revolution can be downloaded for free at [www.ricelake.com](http://www.ricelake.com)



## Dimensions

A	9.50 in (241 mm)	D	3.65 in (92 mm)	G	6.00 in (152 mm)
B	10.00 in (254 mm)	E	2.75 in (70 mm)	H	3.75 in (95 mm)
C	11.00 in (279 mm)	F	7.00 in (178 mm)		

# 720i™ Series

Programmable Weight Indicator/Controller



## Standard Features

- LCD display size: panel mount (3.8 in x 1.2 in), universal (5.3 in x 1.5 in)
- Four softkeys
- Truck in/out, 1,000-ID memory
- Process control engine ProAction PCE define conditions and actions
- Data storage onboard, ProAction DBE user-defined
- Eight digital I/O (expandable)
- One option slot for pluggable options
- 20 auxiliary print formats
- Time & date
- Audit trail tracking and alibi storage
- Peak hold
- Rate of change
- Accumulator
- Multi-range/interval
- Local/remote
- Two full duplex serial ports
- One PS-2 keyboard port
- Header for fiber optic, Ethernet or USB
- Configurable with Revolution® software

### Optional Communication:

- Ethernet TCP/IP
- RS-485 4 wire
- Fiber optic
- USB
- Wi-Fi
- Network Protocols

## Approvals



Measurement  
Canada  
Approved



Panel Mount



CPU Enclosure

## Specifications

### Power:

Line voltages: 100–240VAC  
Frequency: 50-60 Hz  
DC voltages: 12–24VDC  
Power consumption: 25W

### Excitation Voltage:

10VDC, 8 x 350Ω or 16 x 700Ω load cells

### Analog Signal Input Range:

-10 mV to +45 mV

### Analog Signal Sensitivity:

0.3 μV/graduation minimum at 7.5 Hz  
1.0 μV/graduation typical at 120 Hz (manual only)  
4.0 μV/graduation typical at 960 Hz (manual only)  
1.0 μV/graduation recommended

### A/D Sample Rate:

7.5 to 960 Hz, software selectable

### Resolution:

Internal: 8 million counts/8,000,000 23 bit  
Display: 9,999,999

### System Linearity / PI Rating:

±0.01% full scale

### Digital I/O:

Eight channels on CPU board; optional 24-channel I/O

### Communication Ports:

Two ports on CPU board support up to 115,200 bps  
Port 2: Full duplex RS-232 with handshaking  
Port 4: Full duplex RS-232, simplex 20mA  
Keyboard port hard wired (Scan Code 1)  
Optional dual-channel serial expansion boards available  
Channel A: RS-232, RS-485, 20 mA  
Channel B: RS-232, 20 mA

### Display:

Panel Mount: 3.8 in x 1.2 in (96 mm x 30 mm)  
Universal: 5.3 in x 1.5 in (133 mm x 39 mm)  
240 x 64 pixel, Transflective LCD with adjustable contrast

### Keys/Buttons:

Ten-key (panel mount) membrane panel  
22-key (universal mount) membrane panel tactile feel  
Optional keyboard connection supported

### Temperature Range

Certified: 14°F to 104°F (-10°C to 40°C)  
Operating: 14°F to 122°F (-10°C to 50°C)

### Weight:

Universal enclosure: 9.5 lb (4.3 kg)  
Panel Mount enclosure: 8.5 lb (3.9 kg)

### Rating/Material:

NEMA Type 4X/IP66, stainless steel

### Warranty:

Two-year limited warranty

### EMC Immunity:

EN 50082 Part 2 IEC EN 61000-4-2, 3, 4, 5, 6, 8, and 11

### Approvals:

NTEP CC 08-022, Class III/IIIL 10,000d  
Measurement Canada AM-5677C Class III/IIHD 10,000d  
OIML R76/1992-GB1-10.09 Class III 10,000d  
EU Test Certificate GB-1380 Class III 10,000d  
CE Marked  
UL/cUL Listed (universal)  
UL/cUL Recognized (panel mount)

# 720i™ Series

Programmable Weight Indicator/Controller

## Part Number/Price

Part #	Description	Est. Weight	Price
<b>PCE Software</b>			
101230†	720i Universal, 115 VAC	12 lb	\$1,275.00
103459††	720i Universal, 115–230VAC, CE/OIML	12 lb	\$1,275.00
107708*	720i Universal, 12–24VDC	12 lb	\$1,375.00
101229**	720i Panel Mount, 115–230VAC	12 lb	\$1,275.00
119116**	720i Panel Mount, 115–230VAC, CE/OIML	12 lb	\$1,275.00
107710*	720i Panel Mount, 12–24VDC	12 lb	\$1,375.00
<b>Batch Software</b>			
115447†	720i Universal, 115 VAC	12 lb	\$1,275.00
115448††	720i Universal, 115–230VAC, CE/OIML	12 lb	\$1,275.00
115449**	720i Panel Mount, 115–230VAC	12 lb	\$1,275.00

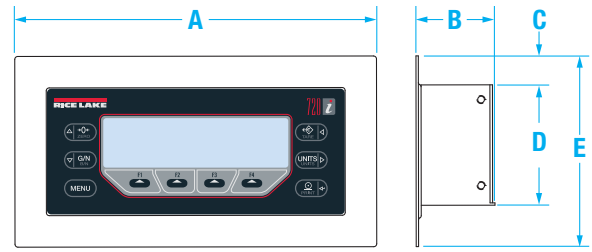
\*DC/DC converter installed option, not UL approved

\*\*Power cord sold separately



## Options/Accessories

Part #	Description	Price
<b>Option Cards</b>		
67601	Digital I/O, 24-channel	\$275.00
67602	Analog output: selectable 0-10 V, 0-20 mA	\$300.00
67604	Serial, dual channel	\$325.00
93245	USB Port (PC connection only-replaces serial port 2)	\$160.00
<b>Network Cards</b>		
77142	Ethernet TCP/IP Port (replaces serial port 2)	\$400.00
71986	Ethernet TCP/IP module (installed in option slot)	\$400.00
108671	Wireless LAN Card 802.11 A/B (replaces serial port 2)	\$570.00
87803	EtherNet/IP®	\$800.00
68539	Remote I/O interface	\$650.00
68540	Profibus® DP interface	\$650.00
68541	DeviceNet™ interface	\$650.00
<b>Hardware</b>		
15436	Power cord for panel mount NEMA Type 5-15 plug	\$17.00
105382	Power cord for panel mount CEE 7/7 plug	\$17.00
93359	PS/2 keyboard	\$90.00
19369	Start/stop switch box	\$395.00
83570	Clear protective overlay (package of five)	\$75.00
118975	Panel mount kit, for universal	\$150.00
101923	Remote relay box, does not include relay	\$235.00
<b>Manuals &amp; Software</b>		
103121	Installation manual	\$25.00
104033	720i toolkit CD	\$35.00
107622	720i ProAction Simulator CD	\$295.00
<b>Primary Component Parts</b>		
106788	CPU board assembly	\$780.00
101244	LCD Display (panel mount) transfective	\$130.00
102888	LCD Display (universal) transfective	\$130.00
101239	Display board (includes display for panel mount)	\$350.00
102887	Display board (w/o display for universal)	\$260.00
67613	AC power supply 100-240 nominal, 25 watt	\$135.00
132791	DC/DC converter 12-24VDC nominal, 25 watt	\$195.00
101256	Switch membrane for panel mount	\$55.00
101257	Switch membrane for universal	\$65.00

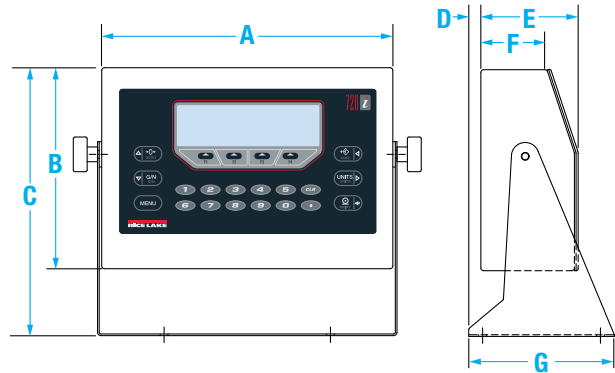


### 720i Panel Mount Display Dimensions

A	7.36 in (187 mm)	D	2.45 in (62 mm)	G	6.12 in (155 mm)
B	1.60 in (41 mm)	E	3.88 in (99 mm)		
C	0.59 in (15 mm)	F	0.62 in (16 mm)		

### 720i Panel Mount CPU Enclosure

(L x W x H): 12.75 x 6.05 x 2.14 in (324 x 154 x 5 mm)



### 720i Universal Dimensions

A	10.50 in (267 mm)	D	0.44 in (11 mm)	G	5.25 in (133 mm)
B	7.25 in (184 mm)	E	3.51 in (89 mm)		
C	9.66 in (245 mm)	F	2.31 in (59 mm)		