

# MVB COMPOSITE VALVE BOX

## 1 T-Wrench

Sold separately. Is available in 2-, 3-, 4-, 5-, 6-, and 7-foot lengths. Other sizes available upon request.

## 2 Standard Extension Stem

Comes in standard 2-, 4-, 6-, 8-, 10-, and 12-foot lengths. Other sizes available upon request.

## 3 Beveled Adjustable Top Section

Made of ductile iron. Available in two sizes: 12-inch (305mm) and 27-inch (686mm). The tops are self-adjusting.

## 4 Polymer Bottom Section

Made from an impact-resistant, corrosion-proof, polymer, and available in standard 3-, 5-, 7-, 9-, 11-, and 13-foot lengths. Other sizes available upon request. Light-weight, fast, easy, and safe to work with. No special heavy equipment required.

## 5 Cast Iron Lid

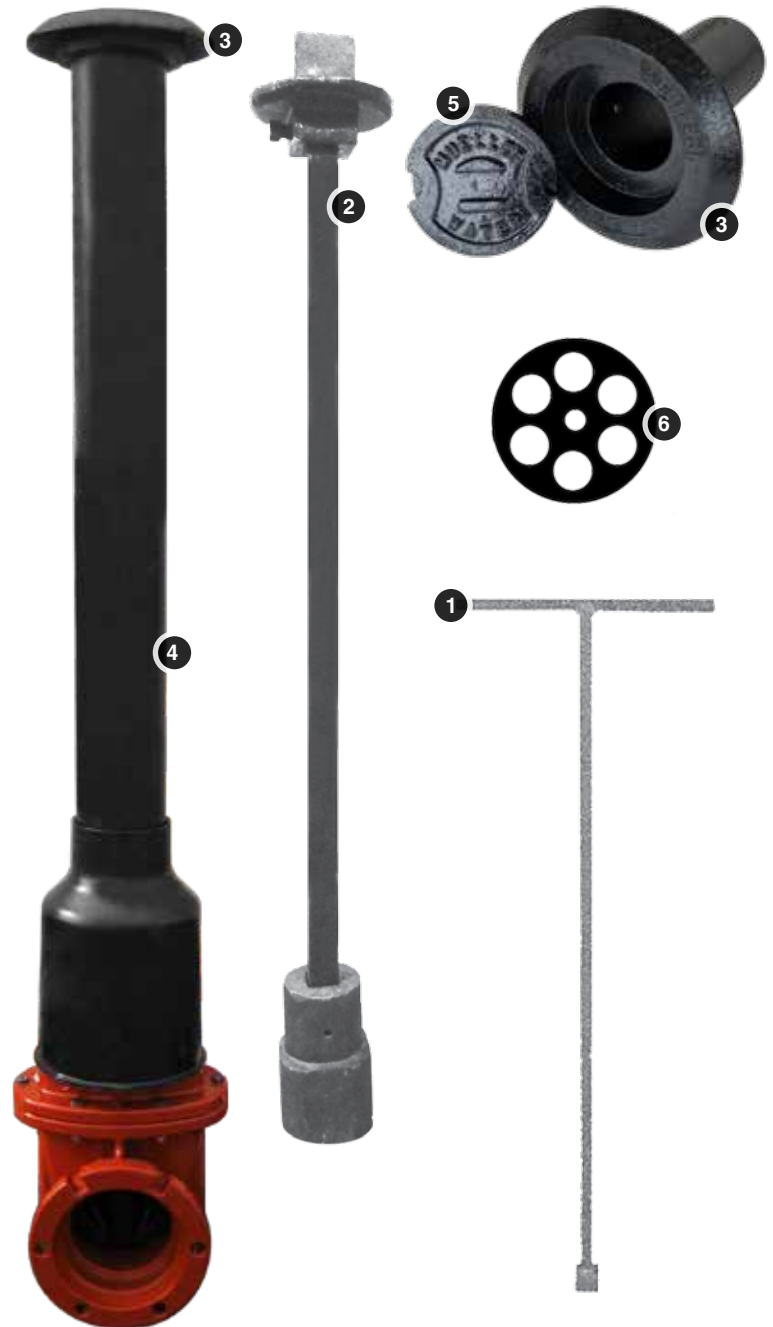
Made from cast iron for maximum durability and long service life.

## 6 Optional Guide Plate

Sold separately. Used to assist in centering the bottom section of the box on the valve.

The Mueller® MVB Composite Valve Box is used to access an underground valve. It is tops in performance and ease of installation, and features a Beveled Edge Ductile Iron Adjustable Top.

The advantage of using the Adjustable Valve Box is that it allows the components to stay in proper position when surface movement takes place, keeping the original installation aesthetically pleasing and the valve accessible.



ID	Part Name	Material
1	T-Wrench*, 2 - 7 feet (see Note 1)	Cast Iron
2	Standard Extension Stem, 2 - 12 feet (see Note 1)	Steel
3	Beveled Adjustable Top Section, 12" or 27"	Ductile Iron
4	Polymer Bottom Section	Non-Abrasive Polymer
5	Cast Iron Lid	Cast Iron
6	MVB Guide Plate*	Ductile Iron

\*This item is sold separately.

Note 1: Other sizes available on request.

Rev. 9-17 Shaded area indicates changes

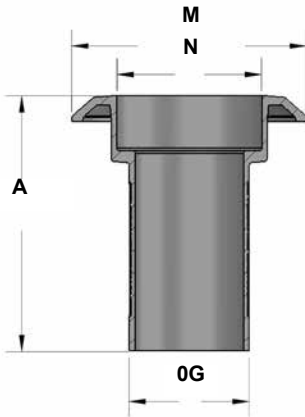
### LID/COVER



LID Dimensions - inches (mm)

Part No.	Material	Standard	C	D	E	Wt.-Lbs (kg)
AJBV-4C	Gray Iron	ASTM A48 CL30	3-3/8 (86)	1-1/2 (38)	6-5/8 (168)	11 (5)
AJBV-5C	Gray Iron	ASTM A48 CL30	3-7/8 (99)	n/a	6-9/16 (166)	13 (6)

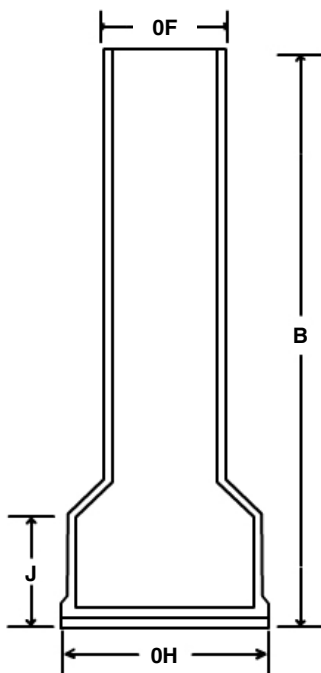
### ADJUSTABLE TOP



FRAME Dimensions - inches (mm)

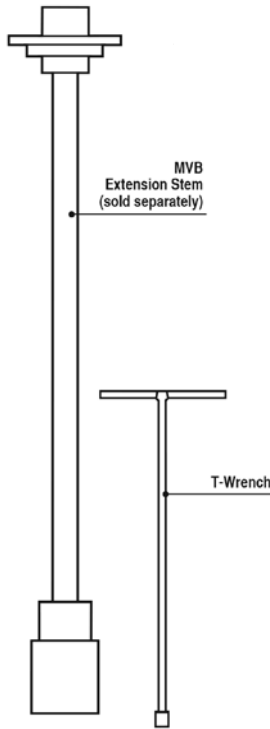
Part No.	Material	Standard	A	M	N	OG	Wt.-Lbs (kg)
AJBV-4D	Ductile Iron	ASTM A48 CL30	12 (305)	11-1/16 (281)	6-7/8 (175)	5 (127)	22 (10)
AJBV-4D-27	Ductile Iron	ASTM A48 CL30	27 (686)	11-1/16 (281)	6-7/8 (175)	5 (127)	40 (18)
AJBV-5D	Ductile Iron	ASTM A48 CL30	12-1/8 (308)	11-1/8 (283)	6-7/8 (175)	5 (127)	28 (13)

### BOTTOM SECTION



Bottom Section Only Dimensions - ft. (mm)

Part No.	B	OF	OH	J	Wt.-Lbs (kg)
MVB030	3 (0.9)	5 (127)	9-3/16 (233)	9-3/4 (248)	6.2 (2.8)
MVB050	5 (1.6)	5 (127)	9-3/16 (233)	9-3/4 (248)	8.8 (4.0)
MVB070	7 (2.2)	5 (127)	9-3/16 (233)	9-3/4 (248)	11.4 (5.2)
MVB090	9 (2.8)	5 (127)	9-3/16 (233)	9-3/4 (248)	14.0 (6.4)
MVB110	11 (3.3)	5 (127)	9-3/16 (233)	9-3/4 (248)	16.6 (7.6)
MVB130	13 (3.9)	5 (127)	9-3/16 (233)	9-3/4 (248)	19.2 (8.8)



### Extension Stems\* (sold separately)

Part No.	Size/Description
234079	2' Extension Stem w/2" Operating Nut and 2" Socket
234095	4' Extension Stem w/2" Operating Nut and 2" Socket
234117	6' Extension Stem w/2" Operating Nut and 2" Socket
234133	8' Extension Stem w/2" Operating Nut and 2" Socket
234168	10' Extension Stem w/2" Operating Nut and 2" Socket
234184	12' Extension Stem w/2" Operating Nut and 2" Socket

NOTE: Stem Should be 1' Shorter than Box

### T-Wrench - with 2" Socket

Part No.	Description	Wt.- Lbs (Kg)
020A24610	2' T-Wrench w/2" Socket	11 (5)
030A24610	3' T-Wrench w/2" Socket	13 (6)
040A24610	4' T-Wrench w/2" Socket	15 (7)
050A24610	5' T-Wrench w/2" Socket	17 (8)
060A24610	6' T-Wrench w/2" Socket	19 (9)
070A24610	7' T-Wrench w/2" Socket	22 (10)

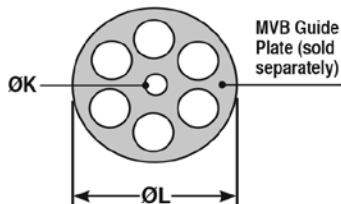
### Bottom Section - with 12" Adjustable Top

Part No.	Length of B	Max. Extension	Wt.- Lbs (Kg)
MVB030C	3' (0.91m)	3'6" (1.1m)	39.2 (17.8)
MVB050C	5' (1.6m)	5'6" (1.7m)	41.8 (19.0)
MVB070C	7' (2.2m)	7'6" (2.3m)	44.4 (20.2)
MVB090C	9' (2.8m)	9'6" (2.9m)	47.0 (21.4)
MVB110C	11' (3.3m)	11'6" (3.5m)	49.6 (22.6)
MVB130C	13' (3.9m)	13'6" (4.1m)	52.2 (23.8)

### Bottom Section - with 27" Adjustable Top

Part No.	Length of B	Max. Extension	Wt.- Lbs (Kg)
MVB030C-27	3' (0.91m)	4'6" (1.4m)	50.2 (22.8)
MVB050C-27	5' (1.6m)	6'6" (1.9m)	52.8 (24.0)
MVB070C-27	7' (2.2m)	8'6" (2.5m)	55.4 (25.2)
MVB090C-27	9' (2.8m)	10'6" (3.2m)	58.1 (26.4)
MVB110C-27	11' (3.3m)	12'6" (3.8m)	60.6 (27.6)
MVB130C-27	13' (3.9m)	14'6" (4.4m)	63.2 (28.8)

\*Other lengths/sizes available on request.



### Guide Plate

Part No.	OK	OL	Thickness	Wt.-Lbs (Kg)
147506P	1.95 (49.5)	8.75 (222)	.375 (9.5)	4.8 (2.18)



**Reliable Connections™**

**[www.muellercanada.com](http://www.muellercanada.com)  
[more-info@muellercanada.com](mailto:more-info@muellercanada.com)**

---