

LaserLight2™

Four-inch, Six-inch, Four-inch Stop/Go Remote Display



Standard Features

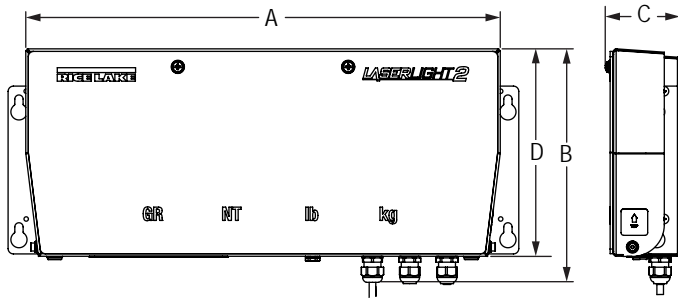
- Six high-intensity red digits (double-row discrete LED)
- Auto Learn mode of communication protocols
- Hold displayed weight (demand input)
- Software selectable standstill mode for no updates while in motion
- Durable weathertight IP66 enclosure
- Adjustable daylight/night intensity
- Non-glare contrast filtered lens
- Mirror (reverse image) feature
- RS-232, 20 mA and RS-485 communications
- Auto sensing 115/230 VAC power supply
- PEMs for VESA flat-wall mount or side-mounting flange
- Polyethylene breather vent inhibits internal moisture buildup
- Red, green and arrow lights in stop/go version

APPROVALS*



*See Specific Part Numbers

Dimensions			
22-inch Enclosure (Four-inch Model)			
A	22.28 in (565 mm)	C	3.28 in (85 mm)
B	10.96 in (280 mm)	D	9.80 in (250 mm)
31-inch Enclosure (Six-inch and Stop/Go Models)			
A	30.63 in (780 mm)	C	3.73 in (95 mm)
B	13.94 in (355 mm)	D	12.77 in (325 mm)



Specifications

Display:

- 6-digit, 7-segment discrete oval precision optical performance red LED lamps
- Contrast enhanced optical filtering lens
- 1- or 2- place decimal or comma indication
- 4 annunciators for GR, NT, lb, kg
- 4-inch red, green ball/arrow in Stop/Go model

Maximum Viewing Distance:

- 4 in: 250 ft (75 m)
- 6 in: 300 ft (100 m)

Input Interface:

RS-232, RS-485, 20 mA current loop (active or passive, switch selectable)

Output Interface:

Independently configurable echo out port, RS-232 or 20 mA current loop (active or passive, switch selectable)

Input Data Format:

Baud Rate: 1200, 2400, 4800, 9600 and 19200 self-learning or software selectable

Character Format:

7 or 8 data bits; even, odd, or no parity; 1 or 2 stop bits, self-learning or software selectable

Update:

Continuous or out-of-motion only; software selectable

Power Consumption:

- 4 in: 21 watt
- 6 in: 27 watt

Time:

Software enable/disable, 12- or 24-hour format

Date:

Software enable/disable, US or ISO format

Rating/Material:

IP66 weather tight, powder coated steel or stainless steel

Dimensions:

- Four-inch (L x H): 22.28 in x 9.8 in
- Six-inch (L x H): 30.63 in x 12.77 in
- Stop/Go (L x H): 30.63 in x 12.77 in (flanges add 2.00 in width)

Weight:

- 4 in: 20 lb (9 kg)
- 6 in: 25 lb (11 kg)

Operating Temperature Range:

-40°F to 120°F (-40°C to 49°C)

Warranty:

Two-year limited warranty

Approvals:

UL/cUL on specific part numbers

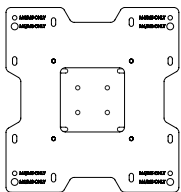
Part Number/Price

Part #	Description	Est. Weight	Price
Flange Mounted (included)			
167091	LaserLight2 remote display 4-inch (100 mm) includes PN 175305	20 lb	\$1,550.00
179521*	LaserLight2 remote display 4-inch (100 mm) marked UL/cUL includes PN 175305	20 lb	\$1,750.00
175286	LaserLight2 remote display 4-inch (100 mm) stainless steel includes PN 179883	20 lb	\$1,900.00
167092	LaserLight2 remote display 6-inch (150 mm) includes PN 175306	25 lb	\$2,050.00
179523*	LaserLight2 remote display 6-inch (150 mm) marked UL/cUL includes PN 175306	25 lb	\$2,250.00
167093	LaserLight2 remote display Stop/Go 4-inch (100 mm) includes PN 175306	25 lb	\$2,050.00
179525*	LaserLight2 remote display Stop/Go 4-inch (100 mm) marked UL/cUL includes PN 175306	25 lb	\$2,250.00
VESA Mounted (included)			
175860	LaserLight2 remote display 4-inch (100 mm) includes PN 175213	20 lb	\$1,600.00
179522*	LaserLight2 remote display 4-inch (100 mm) marked UL/cUL includes PN 175213	20 lb	\$1,800.00
175861	LaserLight2 remote display 6-inch (150 mm) includes PN 175213	25 lb	\$2,100.00
179524*	LaserLight2 remote display 6-inch (150 mm) marked UL/cUL includes PN 175213	25 lb	\$2,300.00
175862	LaserLight2 remote display Stop/Go 4-inch (100 mm) includes PN 175213	25 lb	\$2,100.00
179526*	LaserLight2 remote display Stop/Go 4-inch (100 mm) marked UL/cUL includes PN 175213	25 lb	\$2,300.00

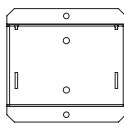
*UL/cUL on specific models

Options/Accessories

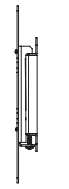
Part #	Description	Price
Consult	LaserLight2 green display (modified LED boards)	Consult
175305	Mount bracket, 4-inch flange option	\$25.00
175306	Mount bracket, 6-inch flange option	\$25.00
175213	Mount bracket, VESA flat-wall option	\$75.00
175052	Wireless interface, pair of ConnexLink Radios and mount	\$795.00
75856	Pole mount kit, 4-inch flange option (24-inch wide frame for 4-8 inch dia. pole)	\$150.00
7775	Pole mount kit, 6-inch flange option (32-inch wide frame for 4-8 inch dia. pole)	\$195.00
177865	Pole mount kit, VESA flat-wall option	\$75.00
178790	Offset kit for universal pole mount (requires PN 177865)	\$50.00
181224	Visor for 22 inch enclosure (not required for weather protection)	\$120.00
181801	Visor for 31 inch enclosure (not required for weather protection)	\$120.00



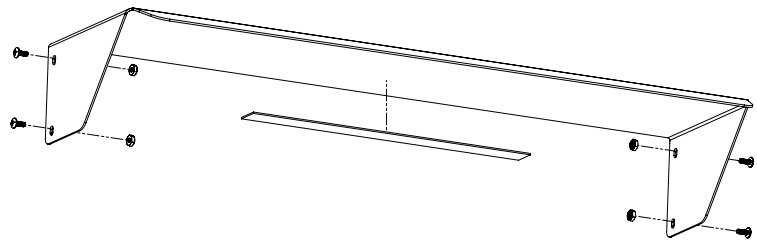
Front View
Adaptor Plate



Wall Plate

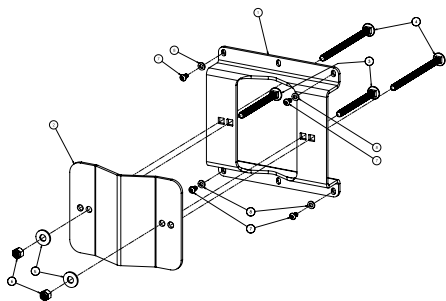


Side View
Adaptor Plate

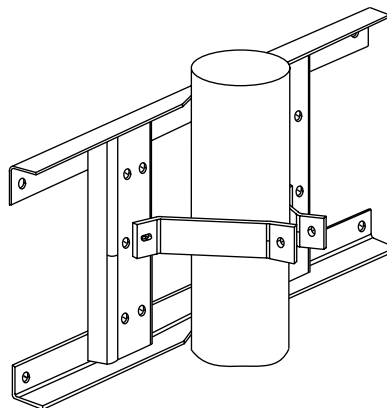


Visor option

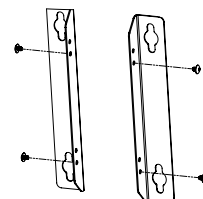
VESA flat-wall mount



VESA pole mount kit



Flange pole mount kit



Flange mount