

Dulcodes LP

A world first: Precise lamp dimming in seconds – even with varying flows and water temperatures!



The unique **Dulcodes LP UV systems** are synonymous with cutting-edge water treatment – extremely efficient and highly effective. Our patented Vario-Flux high-output lamps, featuring dynamic lamp heating and controlled by electronic ballast technology allow the **Vario-Flux lamps** to be quickly and precisely dimmed over a broad power range of up to 50% of the nominal electrical power. This lamp control ensures precise automatic adjustment to varying flows and water temperatures. The water flow through the **Dulcodes LP UV system** has been optimized through intensive computer simulation resulting in minimal pressure loss and uniform radiation dose which leads to minimal use of energy, maximized disinfection and significantly reduced life cycle costs.

Features & Benefits

- The Dulcodes LP UV system can be used in a broad range of applications for efficient, economical and safe water disinfection
- Unique dynamic lamp heating adjusts the lamp output in seconds and provides for optimum disinfection even with rapidly varying flows and water temperatures.
- Uniform UV dose, thanks to optimized flow through the chamber, provides maximum disinfection effectiveness with the minimum amount of lamps
- Reduced life cycle costs due to the long service life of Vario-Flux high-output lamps with low energy consumption and high UV output
- High flexibility thanks to vertical or horizontal installation
- User-friendly and intuitive control for the display of operating statuses and adjustment of operating parameters
- Control cabinet with efficient recirculation cooling ensures the long life of electronic components and protects against corrosion in aggressive ambient conditions

Dulcodes LP

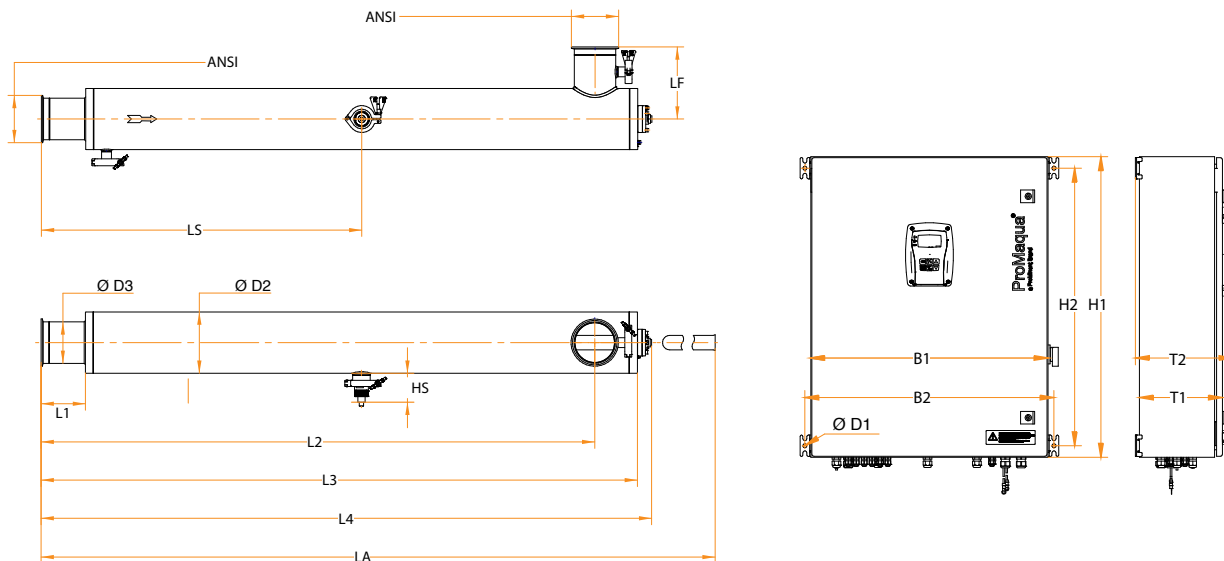
Technical data

Lamp type..... Vario-Flux low pressure lamp
 Controller type Deluxe controller, alternatively compact controller
 Permissible operating pressure 150 psi
 Permissible ambient temperature... 40-104 °F
 Permissible water temperature 37-160 °F
 Enclosure rating..... NEMA 12

Technical Data											
Model	Part Number	# of Lamps	Power Output	Outdoor Pools Max. GPM 400 J/m2	Flange Size	Phase	Unit Voltage		Chamber Weights Dry/Wet	Cabinet Weights	Shipping Dimensions (L x W x H)
							Watts	GPM			
1x230LP	1080083	1	310	158	3"	1	230	2.0	42.0/70.5	67	69.7 x 38.2 x 20.1
1x350LP	1080084	1	430	238	4"	1	230	2.5	66.1/132.3	67	70.5 x 52.0 x 21.1
2x350LP	1080086	2	835	542	6"	1	230	4.5	123.5/282.2	75	70.5 x 52.0 x 21.1
3x230LP	1080087	3	825	682	6"	1	230	5.0	143.3/306.4	83	70.5 x 52.0 x 21.1
3x350LP	1080088	3	1240	1021	8"	1	230	6.5	185.1/482.8	83	79.5 x 65.7 x 25.2

Note: Additional flange sizes available upon request based on flow range and pipe velocity. All dimensions/ weights are approximates.

Drawings



Model	ANSI	B1	B2	H1	H2	T1	T2	Ø D1	Ø D2	Ø D3	HS	L1	L2	L3	L4	LS	LF	LA
1x230W	3"	23.6	24.8	29.9	27.6	8.3	9.7	.40	5.5	3.5	3.1	2.6	41.5	45.3	46.9	24.0	5.5	87.2
1x350W	4"	23.6	24.8	29.9	27.6	8.3	9.7	.40	6.6	4.5	3.2	4.8	59.9	64.6	66.1	34.7	7.8	122.2
2x350W	6"	23.6	24.8	29.9	27.6	8.3	9.7	.40	10.1	6.6	3.2	4.8	58.9	64.6	66.1	34.7	9.5	122.2
3x230W	6"	23.6	24.8	29.9	27.6	8.3	9.7	.40	10.1	6.6	3.2	4.0	41.0	46.7	48.2	25.3	11.0	89.0
3x350W	8"	23.6	24.8	29.9	27.6	8.3	9.7	.40	12.8	8.6	3.2	5.1	67.5	73.0	75.7	39.6	10.9	135.8

Note: All above measurements are in inches.



ProMinent Fluid Controls, Inc.
 136 Industry Drive • Pittsburgh, PA 15275 USA
 (412) 787-2484 • Fax: (412) 787-0704
 email: sales@prominent.us • www.prominent.us

© 2018 ProMinent Fluid Controls, Inc.
 All Rights Reserved.

PN: 7750227
 Dulcodes_LP_UV.indd rev1 04/27/2018