

# ZERO STATIC POINT OF USE VALVE

Standard, Compact, Manual or Pneumatically Actuated Point of Use (POU) Valve

## SPECIFICATIONS AND FEATURES\*

### Available Sizes:

- » Run Connection: 1/2" - 4" (DN15 - DN100)
- » Drop Connection: 1/2" - 4" (DN15 - DN100); drop connection must be  $\leq$  the run connection

### Connection Type:

- » Tri-clamp, Extended Tube End standard. Other drop connection types upon request
- » Additional ports or tandem access configurations available for purge, drain or sample use as special options

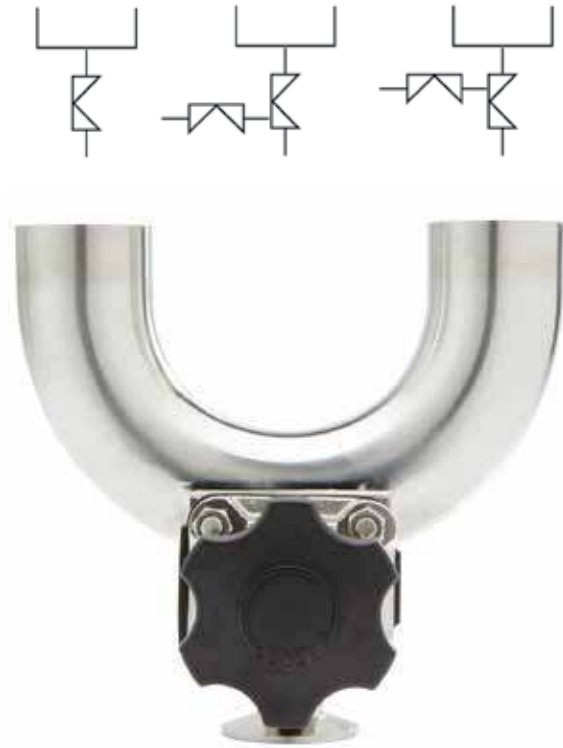
### Materials:

- » Standard: Barstock, ASME SA479 316L (UNS 31603) or EN 10272:2000 GR 1.4435
- » Optional: AL-6XN®, Hastelloy® C-22 and others readily available

### Surface Finish:

- » Wetted Interior:
  - Standard:
    - ASME BPE SF1, 20 Ra  $\mu\text{in}$  (0,5 Ra  $\mu\text{m}$ )
    - ASME BPE SF5, 20 Ra  $\mu\text{in}$  (0,5 Ra  $\mu\text{m}$ ) Electropolish
  - Optional:
    - ASME BPE SF4, 15 Ra  $\mu\text{in}$  (0,4 Ra  $\mu\text{m}$ ) Electropolish. Better finish upon request
- » Exterior:
  - Standard: 63 Ra  $\mu\text{in}$  (1,6 Ra  $\mu\text{m}$ )
  - Optional: 40 Ra  $\mu\text{in}$  (1,0 Ra  $\mu\text{m}$ ) and better upon request

\* See page 6 & 7 for GENERAL FEATURES, GENERAL SPECIFICATIONS regarding features and specifications that apply to all valves



## APPLICATIONS

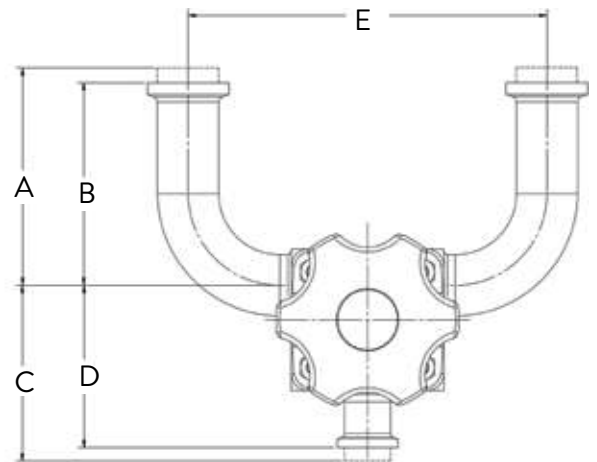
Single Wier Zero Static Point of Use Valve for Manual on/off or Air Actuated Dispersion of WFI or USP Purified Water from Distribution Loop

- » Upstream:
  - Bioreactor/Fermenter: For dispersion control of WFI or USP purified water
- » Downstream:
  - For dispersion flow control of WFI or USP purified water in the following production areas:
    - Separation
    - Filtration
    - Chromatography
    - Formulation
    - Fill Finish
- » Buffer and Media Prep:
  - For dispersion control of WFI or USP purified water

## DIMENSIONS (ZERO STATIC POINT OF USE (POU) VALVE)

INCHES						
RUN SIZE	DROP SIZE	TUBE A	TUBE B	TUBE C	CLAMP D	E
1"	1/2"	3.0	2.625	3.17	2.17	5.375
	3/4"	3.0	2.625	3.17	2.17	5.875
	1"	3.0	2.625	3.578	3.203	6.25
1-1/2"	1/2"	3.75	3.375	3.42	2.42	6.875
	3/4"	3.75	3.375	3.657	2.657	7.375
	1"	3.75	3.375	3.578	3.455	7.75
2"	1-1/2"	3.75	3.375	4.405	4.03	8.875
	1/2"	4.5	4.125	3.67	2.67	8.375
	3/4"	4.5	4.125	3.907	2.907	8.875
2-1/2"	1"	4.5	4.125	4.08	3.705	9.25
	1-1/2"	4.5	4.125	4.654	4.279	10.375
	2"	4.5	4.125	5.086	4.711	11.375
3"	1/2"	5.25	4.875	3.92	2.92	9.875
	3/4"	5.25	4.875	4.158	3.158	10.375
	1"	5.25	4.875	4.33	3.955	10.75
	1-1/2"	5.25	4.875	4.904	4.529	11.875
	2"	5.25	4.875	5.331	4.956	12.875
	2-1/2"	5.25	4.875	5.819	5.444	13.625
4"	1/2"	6.0	5.625	4.17	3.17	11.375
	3/4"	6.0	5.625	4.408	3.408	11.875
	1"	6.0	5.625	4.58	4.205	12.875
	1-1/2"	6.0	5.625	5.154	4.779	13.375
	2"	6.0	5.625	5.581	5.206	14.375
	2-1/2"	6.0	5.625	6.07	5.695	15.125
	3"	6.0	5.625	6.817	6.192	16.875
4"	1/2"	7.5	7.125	4.652	3.652	14.375
	3/4"	7.5	7.125	4.89	3.89	14.875
	1"	7.5	7.125	5.063	4.688	15.25
	1-1/2"	7.5	7.125	5.633	5.258	16.375
	2"	7.5	7.125	6.062	5.687	17.375
	2-1/2"	7.5	7.125	6.553	6.178	18.125
	3"	7.5	7.125	7.299	6.674	19.875
	4"	7.5	7.125	8.987	8.112	21.375

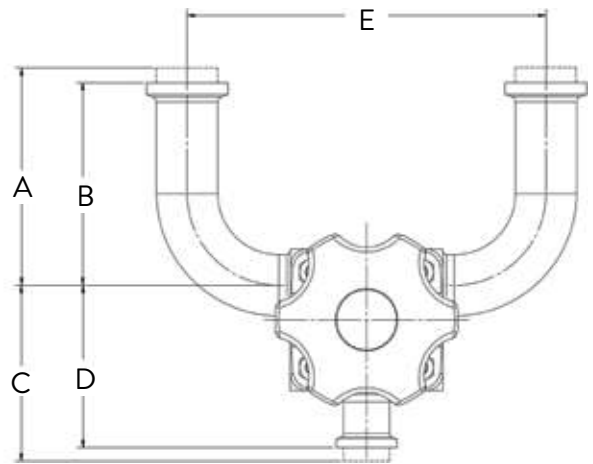
1/2" - 4"



## DIMENSIONS (ZERO STATIC POINT OF USE (POU) VALVE)

METRIC						
RUN SIZE	DROP SIZE	TUBE A	TUBE B	TUBE C	CLAMP D	E
DN32	DN15	76,2	66,68	80,52	55,12	136,53
	DN20	76,2	66,68	80,52	55,12	149,23
	DN32	76,2	66,68	90,88	81,36	158,75
DN40	DN15	95,25	85,73	86,87	61,47	174,63
	DN20	95,25	85,73	92,89	67,49	187,33
	DN32	95,25	85,73	90,88	87,76	196,85
	DN40	95,25	85,73	111,89	102,36	225,4
DN50	DN15	114,3	104,78	93,22	67,82	212,7
	DN20	114,3	104,78	99,24	73,84	225,4
	DN32	114,3	104,78	103,63	94,11	235,0
	DN40	114,3	104,78	118,21	108,69	263,5
	DN50	114,3	104,78	129,18	119,66	288,9
DN65	DN15	133,35	123,83	99,67	74,17	250,8
	DN20	133,35	123,83	105,61	80,21	263,5
	DN32	133,35	123,83	109,98	100,46	273,1
	DN40	133,35	123,83	124,56	115,04	301,6
	DN50	133,35	123,83	135,41	125,90	327,0
	DN65	133,35	123,83	147,80	138,28	346,1
DN80	DN15	152,4	142,88	105,92	80,52	288,9
	DN20	152,4	142,88	111,96	86,56	301,6
	DN32	152,4	142,88	116,33	106,81	327,0
	DN40	152,4	142,88	130,91	121,39	339,7
	DN50	152,4	142,88	141,76	132,23	365,2
	DN65	152,4	142,88	154,18	144,65	384,2
	DN80	152,4	142,88	173,15	157,28	428,6
DN100	DN15	190,5	180,98	118,16	92,76	365,1
	DN20	190,5	180,98	124,21	98,81	377,8
	DN32	190,5	180,98	128,60	119,08	387,4
	DN40	190,5	180,98	143,08	133,55	415,9
	DN50	190,5	180,98	153,97	144,45	441,3
	DN65	190,5	180,98	166,45	156,92	460,4
	DN80	190,5	180,98	185,39	169,52	504,8
	DN100	190,5	180,98	228,27	206,04	542,9

### DN15 - DN100



## ORDERING SCHEMATIC (ZERO STATIC POINT OF USE (POU) VALVE)

MODEL	TYPE	SIZE	RUN SIZE	CONNECTION	DROP SIZE	CONNECTION	FINISH	ACTUATION	DIAPHRAGM	ACC'Y
SV										

1	TYPE
5	POINT OF USE (POU) Valve

2	RUN SIZE
4	1/2"
5	3/4"
6	1"
7	1-1/2"
8	2"
9	2-1/2"
A	3"
B	4"

3	CONNECTION
1	OD Tube
2	Clamp
Z	Non-standard

4	DROP SIZE
4	1/2"
5	3/4"
6	1"
7	1-1/2"
8	2"
9	2-1/2"
A	3"
B	4"

5	CONNECTION
1	OD Tube
2	Clamp
Z	Non-standard

6	FINISH
1	SF1 20Ra
2	SF4 15Ra EP
3	SF5 20Ra EP
Z	Non-standard

7	ACTUATION
1	Manual
2	Manual Vented
3	Spring to Close
4	Spring to Open
5	Double Acting
6	Eclipse, Spring to Close (1/2" - 2" standard)
7	Eclipse, Spring to Open (1/2" - 2" standard)

8	DIAPHRAGM
1	EPDM
2	TFM/EPDM
Z	Non-standard

9	ACCESSORIES
1	Switch 2 Position
2	Positioner 4-20 mA
Z	Non-standard, consult factory