

# DIVERT MULTI-PATH, BLOCK VALVE

## Manual or Pneumatically Actuated Barstock Multiple Path Diversion Valves

Steriflow's patented divert valve in 316L offers exceptional drainage and optimal flow rates due to the fully swept flow path. Divert valves allow process fluids to be diverted, mixed or sampled. These are available from 1/2" - 3" in several combinations of outlets and sizes.

## SPECIFICATIONS AND FEATURES\*

### Available Sizes:

- » Standard Valve: 1/2" - 3" (DN15 - DN80)

### Connection Type:

- » Tri-clamp, Extended Tube End, Custom including Hose Barb

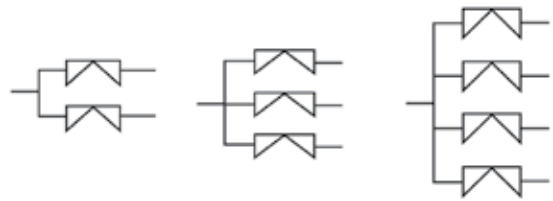
### Materials:

- » Standard: Barstock, ASME SA479 316L (UNS 31603) or EN 10272:2000 GR 1.4435
- » Optional: AL-6XN®, Hastelloy® C-22 and others readily available

### Surface Finish:

- » Wetted Interior:
  - Standard:
    - ASME BPE SF1, 20 Ra  $\mu\text{in}$  (0,5 Ra  $\mu\text{m}$ )
    - ASME BPE SF5, 20 Ra  $\mu\text{in}$  (0,5 Ra  $\mu\text{m}$ ) Electropolish
  - Optional:
    - ASME BPE SF4, 15 Ra  $\mu\text{in}$  (0,4 Ra  $\mu\text{m}$ ) Electropolish. Better finish upon request.
- » Exterior:
  - Standard: 40 Ra  $\mu\text{in}$  (1,0 Ra  $\mu\text{m}$ ) and better upon request

\* See page 6 & 7 for GENERAL FEATURES, GENERAL SPECIFICATIONS regarding features and specifications that apply to all valves

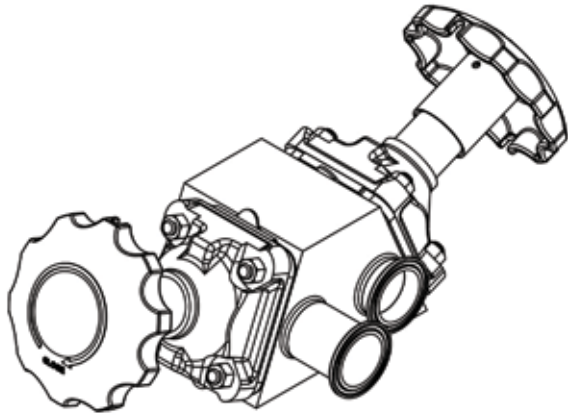


## APPLICATIONS

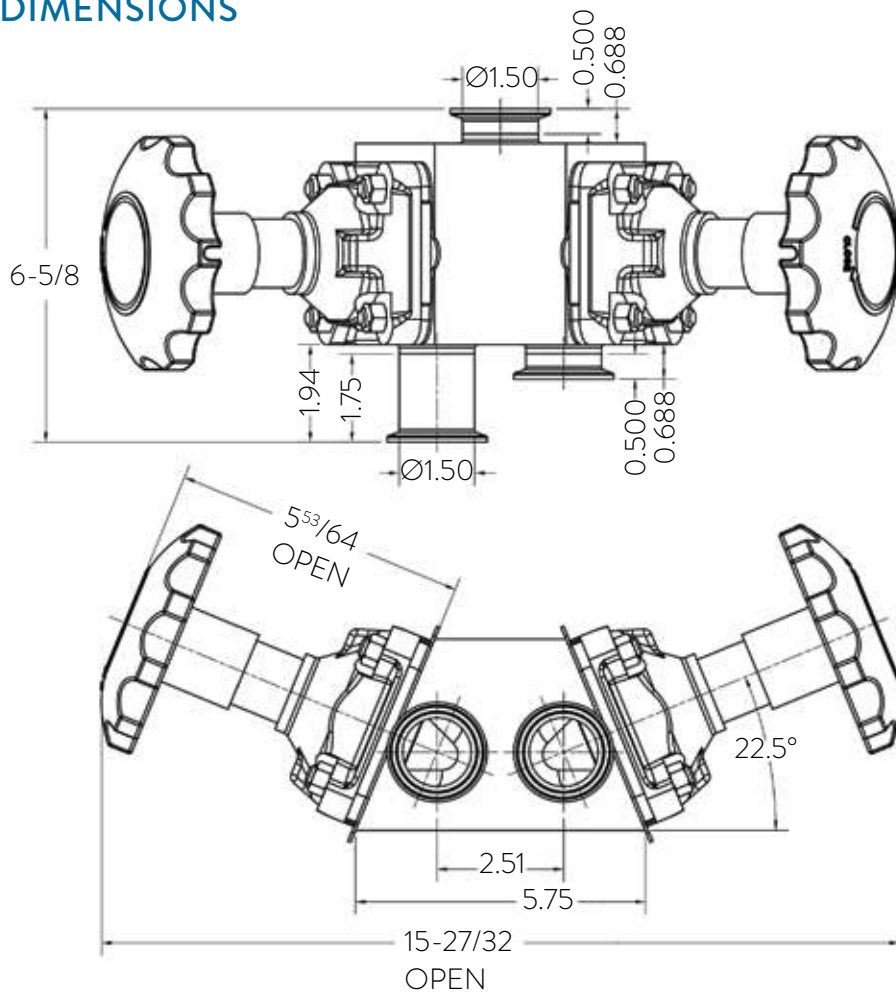
Multiple Wier Manual on/off or Air Actuated for multi-path diversion of Drug Process Additives, Drug Product and Clean Utilities for mixing, sampling or other purposes.

- » Upstream:
  - Bioreactor/Fermenter: For diversion of WFI, growth media, intermediate drug product, clean dry air and gas, clean steam and clean utility fluids
- » Downstream:
  - For diversion of WFI, buffers, solvent, intermediate and finished drug product, clean dry air and gas, clean steam, and clean utility fluids in the following production area
    - Separation
    - Filtration
    - Chromatography
    - Formulation
    - Fill Finish
- » Buffer and Media Prep:
  - For diversion control of WFI, buffers and growth media

## ILLUSTRATION (DIVERT, MULTI-PATH BLOCK VALVE)



## DIMENSIONS



1-1/2" Size

Please Contact Factory regarding additional sized dimensional drawings or special requests.

## ORDERING SCHEMATIC (DIVERT, MULTI-PATH BLOCK VALVE)

MODEL	TYPE	SIZE	CONNECTION	FINISH	ACTUATION	DIAPHRAGM	ACCESSORIES
SV							

1	TYPE
3	Divert Block, 2-way Valve

2	SIZE (INLET & OUTLET)
4	1/2"
5	3/4"
6	1"
7	1-1/2"
8	2"
9	2-1/2"
A	3"

3	CONNECTION
1	OD Tube
2	Clamp
3	OD Tube x Clamp
Z	Non-standard

4	FINISH
1	SF1 20Ra
2	SF4 15Ra EP
3	SF5 20Ra
Z	Non-standard, consult factory

5	ACTUATION
1	Manual
2	Manual Vented
3	Spring to Close
4	Spring to Open
5	Double Acting
6	Eclipse, Spring to Close (1/2" - 2" standard)
7	Eclipse, Spring to Open (1/2" - 2" standard)

6	DIAPHRAGM
1	EPDM
2	TFM/EPDM
Z	Non-standard

7	ACCESSORIES
1	Switch 2 Position
2	Positioner 4-20 mA
Z	Non-standard, consult factory

Please Contact Factory for special configurations or connection sizes. All queries are welcome.