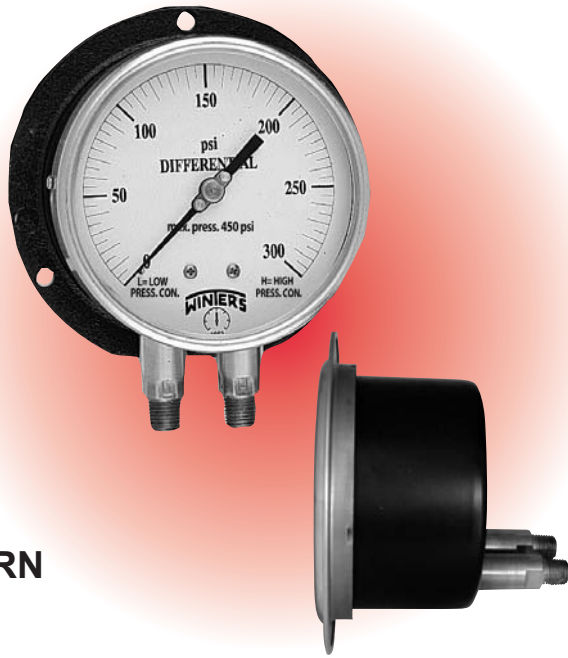


# Differential



CRN

## Description

Winters' (CRN registered) Differential Gauges are single pointer gauges that show the difference between two separate but related pressures on the same dial. Winters Differential Gauges are available with the zero point at the top centre of the scale or the more conventional style with the zero at the left side of the scale.

This gauge can be used to show the difference between the input and output pressures on a line entering and exiting a filter. For example, the line entering the filter would have a known pressure of 45 psi and, if the filter remains clear or clean, the pressure on the line exiting the filter would also be 45 psi. This would mean that the gauge would read zero (0) which is the difference in value between the input and output pressures. If the same filter was dirty or partially clogged, the output pressure would be reduced while the input pressure would remain at 45 psi. If the output pressure drops to 25 psi, the Differential Pressure gauge would show a reading of 20 psi which is the difference in value between the input and output pressures. This difference between the input and output pressures would indicate that the filter is either working well (clean) or needs to be replaced (dirty).

(\*The dial pressure range must be 2/3 of maximum operating pressure - (e.g. 0-300 psi will have maximum operating range of 450 psi).

## Specifications

<b>Dial:</b>	4 <sup>1</sup> / <sub>2</sub> " (115mm) and 6" (150mm) white aluminum with black markings
<b>Case:</b>	Aluminum, painted black
<b>Lens:</b>	Glass
<b>Ring:</b>	4 <sup>1</sup> / <sub>2</sub> " stainless steel, 6" Aluminum
<b>Front Flange:</b>	4 <sup>1</sup> / <sub>2</sub> " stainless steel, 6" Aluminum
<b>Back Flange:</b>	Aluminum
<b>Pointer:</b>	Aluminum
<b>Socket:</b>	Brass or 316 stainless steel as specified
<b>Connection:</b>	1/4" NPT standard
<b>Bourdon Tubes:</b>	Phosphor bronze or AISI 316 stainless steel, independent, matched
<b>Movement:</b>	Brass, heavy duty
<b>Welding:</b>	Tin/copper alloy for brass internals, TIG Argonarc for stainless steel internals
<b>Over-pressure Limit:</b>	30% of full scale value
<b>Working Pressure:</b>	Maximum 75% of full scale value
<b>Ambient Temperature:</b>	-40°F to 150°F (-40°C to 65°C)
<b>Process Temperature:</b>	-40°F to 150°F (-40°C to 65°C)
<b>Accuracy:</b>	+/- 1% accuracy (ANSI/ASME Grade 1A)
<b>Movements</b>	
<b>Plates:</b>	Brass
<b>Columns:</b>	Brass
<b>Outer frame bearings:</b>	Stainless steel
<b>Inner frame bearings:</b>	Bronze
<b>Segment:</b>	Bronze
<b>Slide:</b>	Brass
<b>Long Lever:</b>	Bronze
<b>Short Lever:</b>	Brass
<b>Slide shoulder screws:</b>	Stainless steel
<b>Pinion:</b>	Nickel silver
<b>Shaft (arbor):</b>	Nickel silver
<b>Hairspring:</b>	Bronze
<b>Movement screws:</b>	Brass

\*\*High Pressure/Low Pressure configurations are also available.



Corporate Office: 121 Railside Road • Toronto • ON • M3A 1B2 • (416) 444-2345 • Fax: (416) 444-8979

U.S.A. Office: 600 Ensminger Road • Buffalo • NY • 14150 • (716) 874-8700 • Fax: (716) 874-8800

[www.winters.com](http://www.winters.com) • 1-800-WINTERS (946-8377)

# Differential

How to order: Specify product code

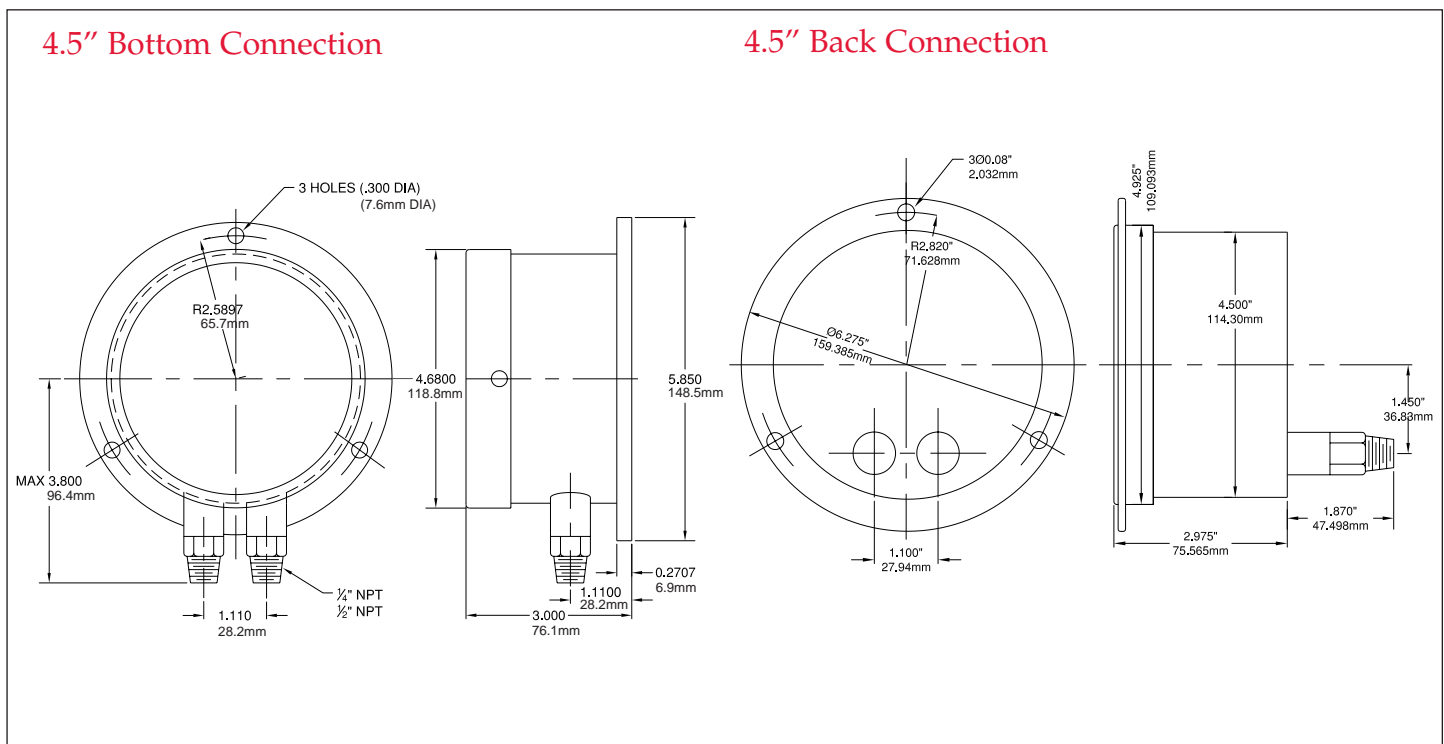
## PRODUCT CODES

Dial Size	4 1/2" (115mm)				6" (150mm)			
Tube & Socket	Brass	Brass	St/St	St/St	Brass	Brass	St/St	St/St
Connection	1/4" NPT Bottom	1/4" NPT Back (LB)	1/4" NPT Bottom	1/4" NPT Back (LB)	1/4" NPT Bottom	1/4" NPT Back (LB)	1/4" NPT Bottom	1/4" NPT Back (LB)
0/15 psi	P8051	P8051B	P8061	P8061B	P8071	P8071B	P8081	P8081B
0/30 psi	P8052	P8052B	P8062	P8062B	P8072	P8072B	P8082	P8082B
0/60 psi	P8053	P8053B	P8063	P8063B	P8073	P8073B	P8083	P8083B
0/100 psi	P8054	P8054B	P8064	P8064B	P8074	P8074B	P8084	P8084B
0/160 psi	P8055	P8055B	P8065	P8065B	P8075	P8075B	P8085	P8085B
0/200 psi	P8056	P8056B	P8066	P8066B	P8076	P8076B	P8086	P8086B
0/300 psi	P8057	P8057B	P8067	P8067B	P8077	P8077B	P8087	P8087B
0/600 psi	P8058	P8058B	P8068	P8068B	P8078	P8078B	P8088	P8088B
Special Range	P8050	P8050B	P8060	P8060B	P8070	P8070B	P8080	P8080B

LB = Lower Back Connection

(Dial pressure range must be 2/3 of maximum operating pressure)

(High Pressure / Low Pressure configurations are also available)



Corporate Office: 121 Railside Road • Toronto • ON • M3A 1B2 • (416) 444-2345 • Fax: (416) 444-8979

U.S.A. Office: 600 Ensminger Road • Buffalo • NY • 14150 • (716) 874-8700 • Fax: (716) 874-8800

[www.winters.com](http://www.winters.com) • 1-800-WINTERS (946-8377)