

Sanitary 3A

Standard

Premium

New!

CRN

Autoclavable



- * External Recalibrator Screw
- * +/- 0.75% Accuracy
- * 4" (100mm) bottom connection

Description

Winters 3A designated Sanitary Gauges are designed to meet the special requirements of the dairy, food processing and pharmaceutical industries in compliance with STD 37.01 of 3A organization. The rugged one piece stainless steel construction ensures an extended service life. The gauges are glycerin filled to reduce internal wear due to pulsation and vibration and to provide an easier reading by minimizing excess pointer movement. Winters Standard 3A Sanitary Gauges are available in a 2 1/2" (63mm) or 4" (100mm) dial size with either a 1 1/2" (40mm) or 2" (50mm) bottom or back entry sanitary Tri-Clamp® connection. The process connection is a diaphragm seal integrally built with the pressure gauge.

Winters newest addition to the 3A Sanitary Series is a Premium 4" (100mm) bottom connection pressure gauge. This instrument features +/- 0.75% full scale accuracy and an external recalibrator screw for convenient calibration. The Premium Series 3A Sanitary pressure gauge is available with a 1 1/2" or 2" Tri-Clamp® connection and is highlighted by a very high .20umRa electropolished finish.

* **Autoclavable - 4" dry model only**

® Tri-Clamp is a registered trade mark of Tri-Clover.



Corporate Office: 121 Railside Road • Toronto • ON • M3A 1B2 • (416) 444-2345 • Fax: (416) 444-8979

U.S.A. Office: 600 Ensminger Road • Buffalo • NY • 14150 • (716) 874-8700 • Fax: (716) 874-8800

www.winters.com • 1-800-WINTERS (946-8377)

Sanitary 3A

Specifications		
	Standard 3A	Premium 3A
Dial:	2 1/2" (63mm) and 4" (100mm), white aluminum with black & red markings	4" (100mm), white aluminum with black & red markings
Case:	AISI 304 stainless steel, electro polished with 150 grit finish (Ra Min)	AISI 304 stainless steel, electro polished .20umRa finish
Lens:	Plexiglass	Polycarbonate
Ring:	AISI 304 stainless steel, electro polished with 150 grit finish (Ra)	AISI 304 stainless steel, electro polished .20umRa finish
Pointer:	Aluminum, anodized black	Aluminum, anodized black
Process Connection:	AISI 316 stainless steel, electro polished with 1 1/2" or 2" Tri-Clamp	AISI 316 stainless steel, electro polished with 1 1/2" or 2" Tri-Clamp
Diaphragm:	AISI 316L stainless steel, electro polished	AISI 316L stainless steel, electro polished .05umRa
Gasket:	2 1/2" (63mm) silicon; 4" (100mm) EPDM	Monprene
Vent & Fill Plug:	EPDM	Monprene
Recalibrator:	N/A	External
Seal Fill:	Approved food service oil	Shell Ordina
Case Fill:	Glycerin, 98%	Glycerin, 98%
Working Pressure:	Maximum 75% of full scale value	Maximum 75% of full scale value
Ambient / Process Temperature:	-13°F to 150°F (-25°C to 65°C) dry, 5°F to 150°F (-15°C to 65°C) filled	-13°F to 150°F (-25°C to 65°C) dry, 5°F to 150°F (-15°C to 65°C) filled
Cleaned in Place:	Contact Winters	Contact Winters
Accuracy:	2 1/2" (100mm) 3%-2%-3% ANSI/ASME Grade B), 4" (100mm) ± 1% accuracy (ANSI/ASME Grade 1A)	+/- 0.75% of full scale (ANSI/ASME Grade 1A)
Autoclavable Specifications*		
Window:	Polysulfone	Polycarbonate
Gasket:	Silicone rubber	Monprene
Vent & Fill Plug:	Viton	Monprene
Other Specifications:	Same as standard product	Same as standard product

(*Autoclavable Temperature Limit: up to 302°F (150°C))

How to order: Specify product code PRODUCT CODES

Dial Size	Standard						Premium			
	2 1/2" (63mm)		2 1/2" (63mm)		4" (100mm)		4" (100mm)		4" (100mm)	4" (100mm)
Tri Clamp	1 1/2" (40mm)		2" (50mm)		1 1/2" (40mm)		2" (50mm)		1 1/2" (40mm)	2" (50mm)
Connection	Bottom	Back	Bottom	Back	Bottom	Back	Bottom	Back	Bottom	Bottom
30"-0-30 psi/bar	P15798	P15798B	P20798	P20798B	P151021	P151021B	P201021	P201021B	PR151021	PR201021
30"-0-60 psi/bar	P15799	P15799B	P20799	P20799B	P151022	P151022B	P201022	P201022B	PR151022	PR201022
30"-0-100 psi/bar	P15791	P15791B	P20791	P20791B	P151023	P151023B	P201023	P201023B	PR151023	PR201023
30"-0-150 psi/bar	P15793	P15793B	P20793	P20793B	P151025	P151025B	P201025	P201025B	PR151025	PR201025
30"-0-200 psi/bar	P15794	P15794B	P20794	P20794B	P151026	P151026B	P201026	P201026B	PR151026	PR201026
30"-0-300 psi/bar	P15795	P15795B	P20795	P20795B	P151027	P151027B	P201027	P201027B	PR151027	PR201027
0-30 psi/bar	P15802	P15802B	P20802	P20802B	P15602	P15602B	P20602	P20602B	PR15602	PR20602
0-60 psi/bar	P15803	P15803B	P20803	P20803B	P15603	P15603B	P20603	P20603B	PR15603	PR20603
0-100 psi/bar	P15804	P15804B	P20804	P20804B	P15604	P15604B	P20604	P20604B	PR15604	PR20604
0-160 psi/bar	P15805	P15805B	P20805	P20805B	P15605	P15605B	P20605	P20605B	PR15605	PR20605
0-200 psi/bar	P15806	P15806B	P20806	P20806B	P15606	P15606B	P20606	P20606B	PR15606	PR20606
0-300 psi/bar	P15807	P15807B	P20807	P20807B	P15607	P15607B	P20607	P20607B	PR15607	PR20607
0-600 psi/bar	P15808	P15808B	P20808	P20808B	P15608	P15608B	P20608	P20608B	PR15608	PR20608

- Other ranges available upon request.
- Autoclavable option available on 4" (100mm) dry only.



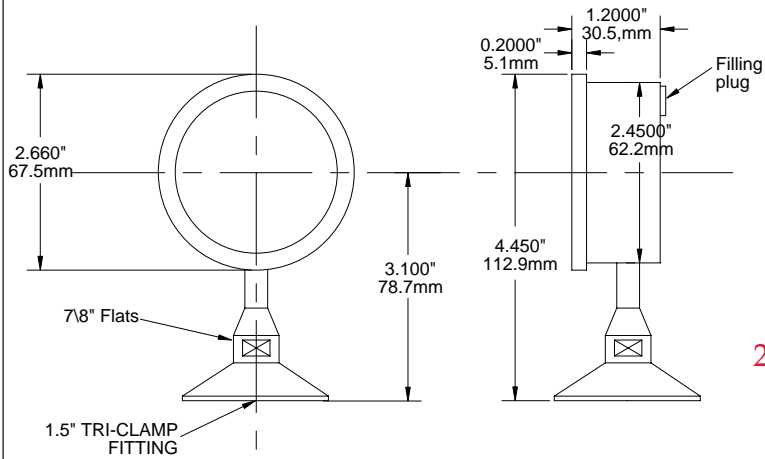
Corporate Office: 121 Railside Road • Toronto • ON • M3A 1B2 • (416) 444-2345 • Fax: (416) 444-8979

U.S.A. Office: 600 Ensminger Road • Buffalo • NY • 14150 • (716) 874-8700 • Fax: (716) 874-8800

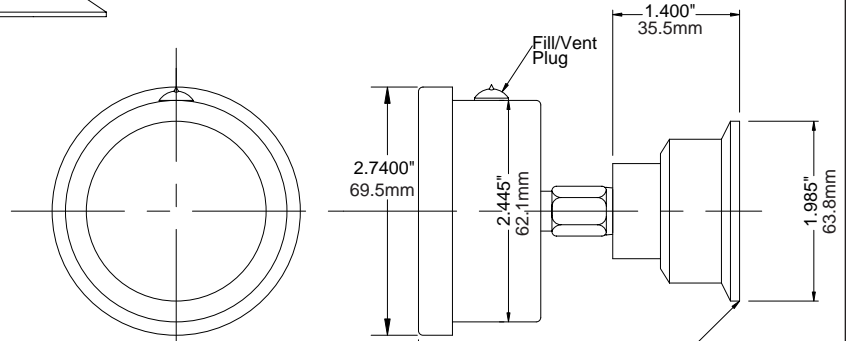
www.winters.com • 1-800-WINTERS (946-8377)

Sanitary 3A

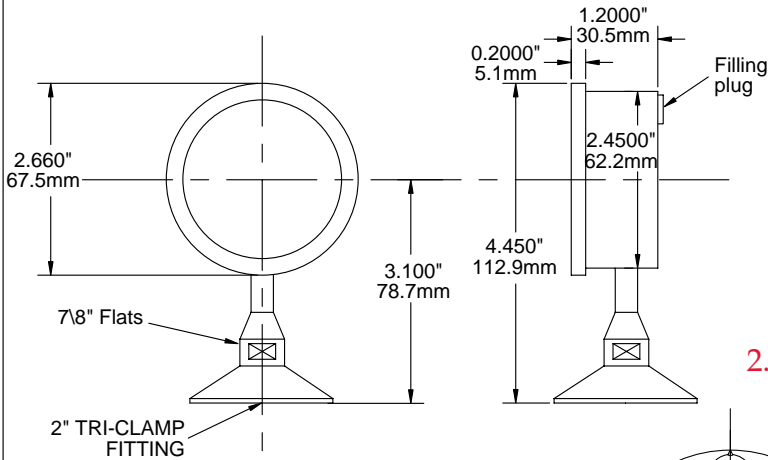
2.5" 3A, 1.5" Tri-Clamp, Bottom Connection



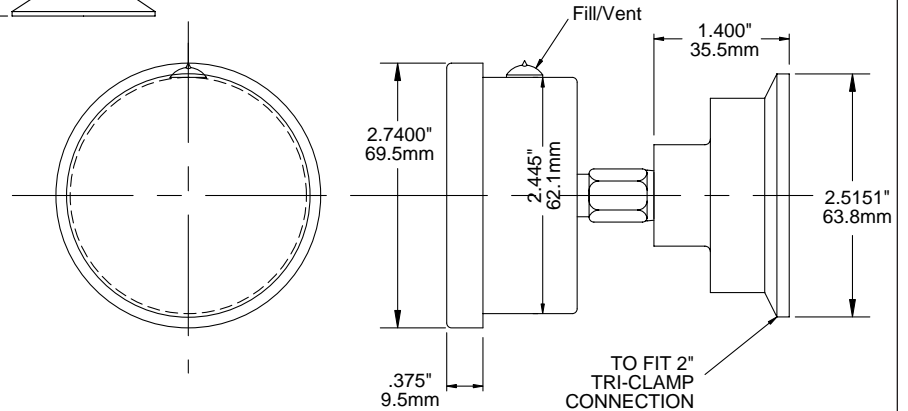
2.5" 3A, 1.5" Tri-clamp, Back Connection



2.5" 3A, 2" Tri-Clamp, Bottom Connection



2.5" 3A, 2" Tri-Clamp, Back Connection



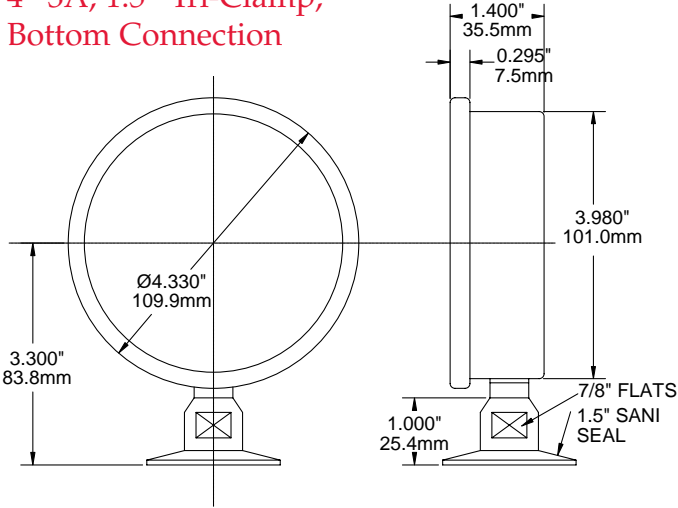
Corporate Office: 121 Railside Road • Toronto • ON • M3A 1B2 • (416) 444-2345 • Fax: (416) 444-8979

U.S.A. Office: 600 Ensminger Road • Buffalo • NY • 14150 • (716) 874-8700 • Fax: (716) 874-8800

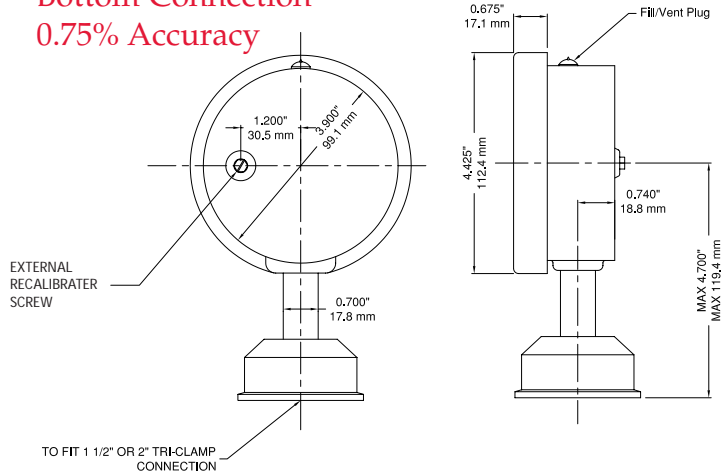
www.winters.com • 1-800-WINTERS (946-8377)

Sanitary 3A

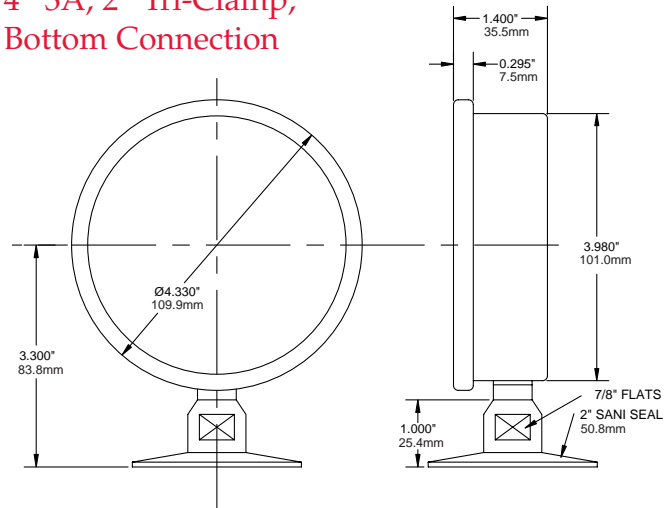
Standard
4" 3A, 1.5" Tri-Clamp,
Bottom Connection



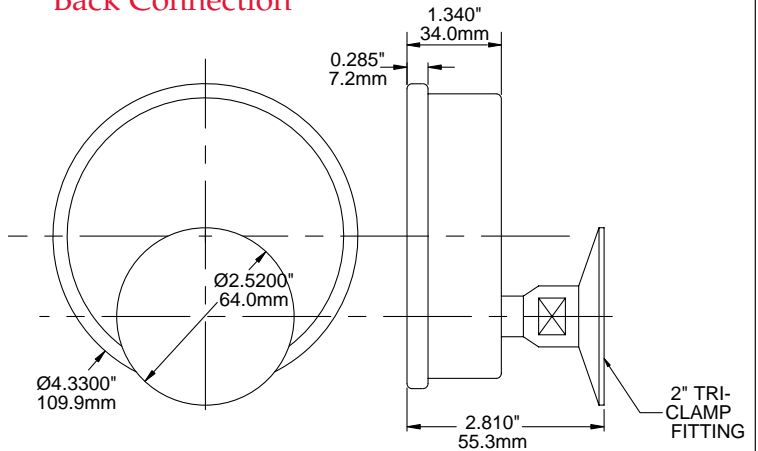
Premium
4" 3A, 2" Tri-Clamp,
Bottom Connection
0.75% Accuracy



Standard
4" 3A, 2" Tri-Clamp,
Bottom Connection



Standard
4" 3A, 2" Tri-Clamp,
Back Connection



Corporate Office: 121 Railside Road • Toronto • ON • M3A 1B2 • (416) 444-2345 • Fax: (416) 444-8979

U.S.A. Office: 600 Ensminger Road • Buffalo • NY • 14150 • (716) 874-8700 • Fax: (716) 874-8800

www.winters.com • 1-800-WINTERS (946-8377)