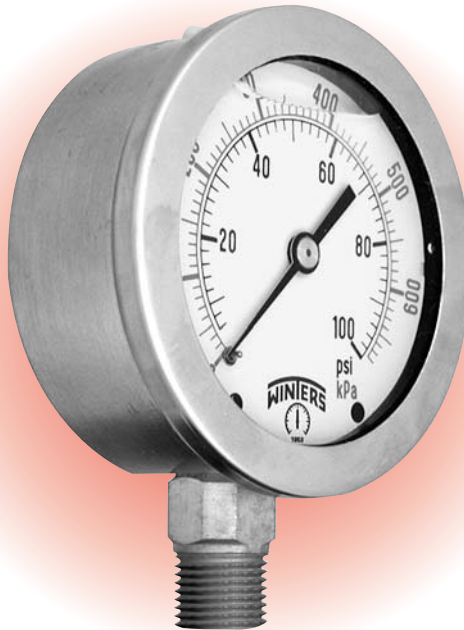


Brass Case



- * Forged Brass Case
- * 316 Stainless Steel Ring
- * Removable Restrictor Screw

Description

The Winters' Premium Series Brass Case Gauge is a heavy duty, durable and rugged instrument utilized in a variety of industrial applications. This pressure gauge is available in a 2.5" (63mm) dial size with a bottom or back connection (optional u-clamp available). The instrument is standard liquid filled, where all moving parts are lubricated and dampened from the harmful effects of vibration and pulsation.

The Winters Brass Case is highlighted by a forged case that entails an attractive 316 stainless steel ring. For your specific requirements, a removable restrictor screw is a standard feature.

Winters' Brass Case Gauge should be used in applications that are not corrosive to brass. Typical applications include; hydraulics, automotive, waste water, fluid power and other high vibration applications.

Specifications

Dial:	2.5" (63mm), aluminum with red and black markings
Case:	Forged Brass
Lens:	Polycarbonate
Ring:	316 stainless steel
Pointer:	Aluminum, anodized black
Block:	Brass
Socket:	Brass
Connection:	1/4" NPT, back or bottom
Bourdon Tube:	Bronze
Movement:	Brass
Gasket Materials:	Neoprene
Fill Liquid:	Glycerin (99.7%)
Protection:	IP65
Restrictor Screw:	Removable
Over-pressure Limit:	30% of full scale value
Working Pressure:	Maximum 75% of full scale value
Ambient/Process Temperature:	32°F-149°F (0°C-60°C) (for temperatures below this range, silicone filling is recommended)
Accuracy:	1.5% of full scale



Corporate Office: 121 Railside Road • Toronto • ON • M3A 1B2 • (416) 444-2345 • Fax: (416) 444-8979

U.S.A. Office: 600 Ensminger Road • Buffalo • NY • 14150 • (716) 874-8700 • Fax: (716) 874-8800

www.winters.com • 1-800-WINTERS (946-8377)

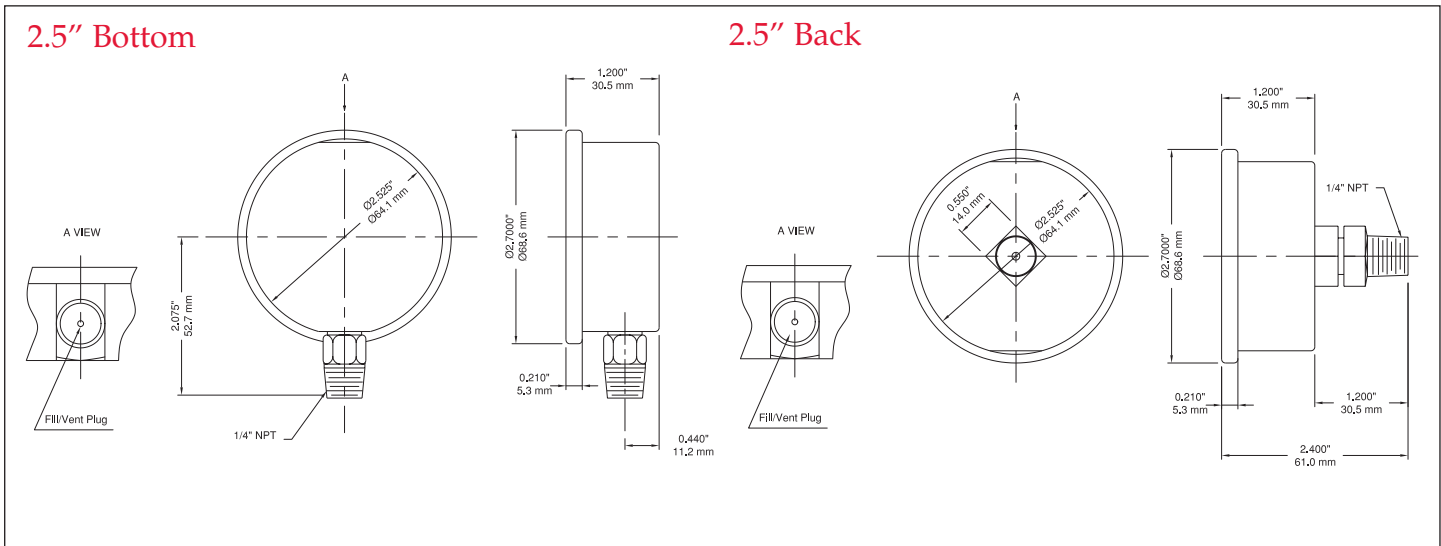
Brass Case

How to order: Specify product code
PRODUCT CODES

Dial Size	2 1/2" (63mm)		Dial Size	2 1/2" (63mm)	
Connection	Bottom	Back (CB)	Connection	Bottom	Back (CB)
Tube, Socket & Movement	Brass	Brass	Tube, Socket & Movement	Brass	Brass
NPT Connection	1/4"	1/4"	NPT Connection	1/4"	1/4"
30" Hg Vacuum/kPa	PBC801	PBC900	0-160 psi/kPa	PBC805	PBC905
30"-0-15 psi/kPa	PBC790	PBC890	0-200 psi/kPa	PBC806	PBC906
30"-0-30 psi/kPa	PBC798	PBC898	0-300 psi/kPa	PBC807	PBC907
30"-0-60 psi/kPa	PBC799	PBC899	0-400 psi/kPa	PBC817	PBC917
30"-0-100 psi/kPa	PBC791	PBC891	0-600 psi/kPa	PBC808	PBC908
30"-0-150 psi/kPa	PBC792	PBC892	0-1000 psi/kPa	PBC809	PBC909
30"-0-200 psi/kPa	PBC794	PBC894	0-1500 psi/kPa	PBC816	PBC914
30"-0-300 psi/kPa	PBC795	PBC895	0-2000 psi/kPa	PBC810	PBC910
0-15 psi/kPa	PBC800	PBC901	0-3000 psi/kPa	PBC811	PBC911
0-30 psi/kPa	PBC802	PBC902	0-5000 psi/kPa	PBC812	PBC912
0-60 psi/kPa	PBC803	PBC903	0-6000psi/kPa	PBC814	PBC915
0-100 psi/kPa	PBC804	PBC904	0-10000 psi/kPa	PBC813	PBC913

Options:

- Dry = Supply above gauge without liquid fill
- 1/2" or 1/4" NPT, BSP or BSPT Connection
- 25UC = 2.5" (63mm) u-clamp
- Silicone filling available



Corporate Office: 121 Railside Road • Toronto • ON • M3A 1B2 • (416) 444-2345 • Fax: (416) 444-8979

U.S.A. Office: 600 Ensminger Road • Buffalo • NY • 14150 • (716) 874-8700 • Fax: (716) 874-8800

www.winters.com • 1-800-WINTERS (946-8377)