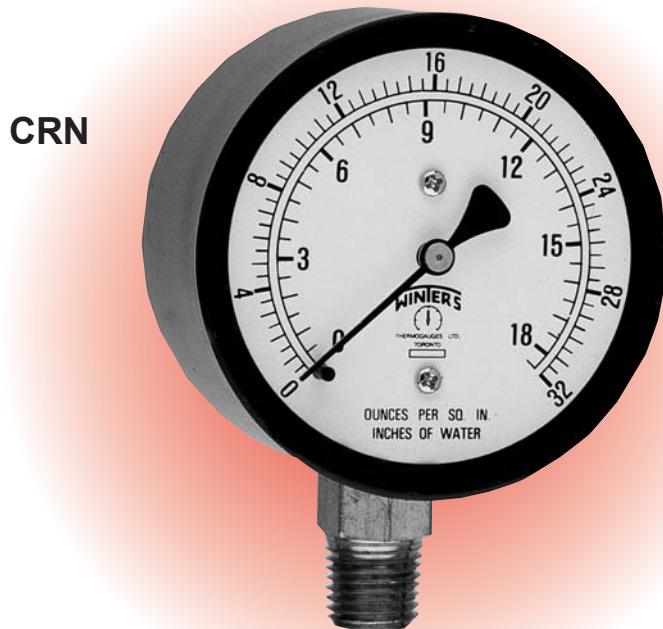


Low Pressure



Description

Winters' Low Pressure Series gauges are ideally suited for low pressure measurement where the conventional bourdon tube cannot perform reliably. Typical applications include air flow indicators, liquid level indicators, leak testers, draft gauges, natural gas gauges, and any other application that requires quick and precise measurement of pressures below 15 psi [103 kPa].

Winters' Low Pressure gauges are available in various dial sizes (2¹/₂" , 4" , 4¹/₂" and 6") with either brass or stainless steel internals. As an added feature, the 4¹/₂" dial with stainless steel internals is available with an optional phenolic case.

Winters' Low Pressure gauge is CRN registered.



Corporate Office: 121 Railside Road • Toronto • ON • M3A 1B2 • (416) 444-2345 • Fax: (416) 444-8979

U.S.A. Office: 600 Ensminger Road • Buffalo • NY • 14150 • (716) 874-8700 • Fax: (716) 874-8800

www.winters.com • 1-800-WINTERS (946-8377)

Low Pressure

Specifications Brass Internals

Dial:	2½" (63mm), 4" (100mm), 4½" (115mm) and 6" (150mm), white aluminum dial with black and red markings
Case:	Steel, painted black 2.5" & 4" or cast aluminum, painted black 4.5" & 6"
Lens:	2½" (63mm) - polycarbonate 4" (100mm), 4½" (115mm) and 6" (150mm) - glass
Ring:	2½" (63mm) 4" (100mm), - steel 4½" (115mm) and 6" (150mm) - aluminum
Back Flange:	Steel, painted black
Pointer:	Aluminum, anodized black
Socket:	Brass
Connection:	¼" NPT standard
Diaphragm Element:	Phosphor Bronze
Movement:	Engineering plastic upper and lower plate with brass pinion and sector (2½" [63mm]), brass (4" [100mm], 4.5" [115mm] & 6" [150mm])
Working Pressure:	60% of full scale value (fluctuating); 75% of full scale value (static)
Ambient Temperature:	-40°F to 150°F (-40°C to 65°C)
Process Temperature:	-40°F to 150°F (-40°C to 65°C)
Accuracy:	±.1% accuracy (ANSI/ASME Grade 1A)
Protection:	IP52

Specifications Stainless Steel Internals

Dial:	2½" (63mm), 4" (100mm), 4½" (115mm) and 6" (150mm), white aluminum dial with black and red markings
Case:	2½" (63mm) and 4" (100mm) - AISI 304 stainless steel 4½" (115mm) and 6" (150mm) - aluminum, painted black
Lens:	2½" (63mm) - polycarbonate 4" (100mm), 4½" (115mm) and 6" (150mm) - glass
Ring:	2½" (63mm) and 4" (100mm) - steel 4½" (115mm) and 6" (150mm) - aluminum
Back Flange:	Steel, painted black
Pointer:	Aluminum, anodized black
Socket:	AISI 316 stainless steel
Welding:	TIG
Connection:	¼" NPT standard
Diaphragm Element:	AISI 316 stainless steel
Movement:	AISI 316 stainless steel
Working Pressure:	75% of full scale value
Over-pressure Limit:	30% of full scale value
Ambient Temperature:	-40-150F (-40C-65C)
Process Temperature:	-40-150F (-40C-65C)
Accuracy:	±.1% accuracy (ANSI/ASME Grade 1A)
Protection:	IP52



Corporate Office: 121 Railside Road • Toronto • ON • M3A 1B2 • (416) 444-2345 • Fax: (416) 444-8979

U.S.A. Office: 600 Ensminger Road • Buffalo • NY • 14150 • (716) 874-8700 • Fax: (716) 874-8800

www.winters.com • 1-800-WINTERS (946-8377)

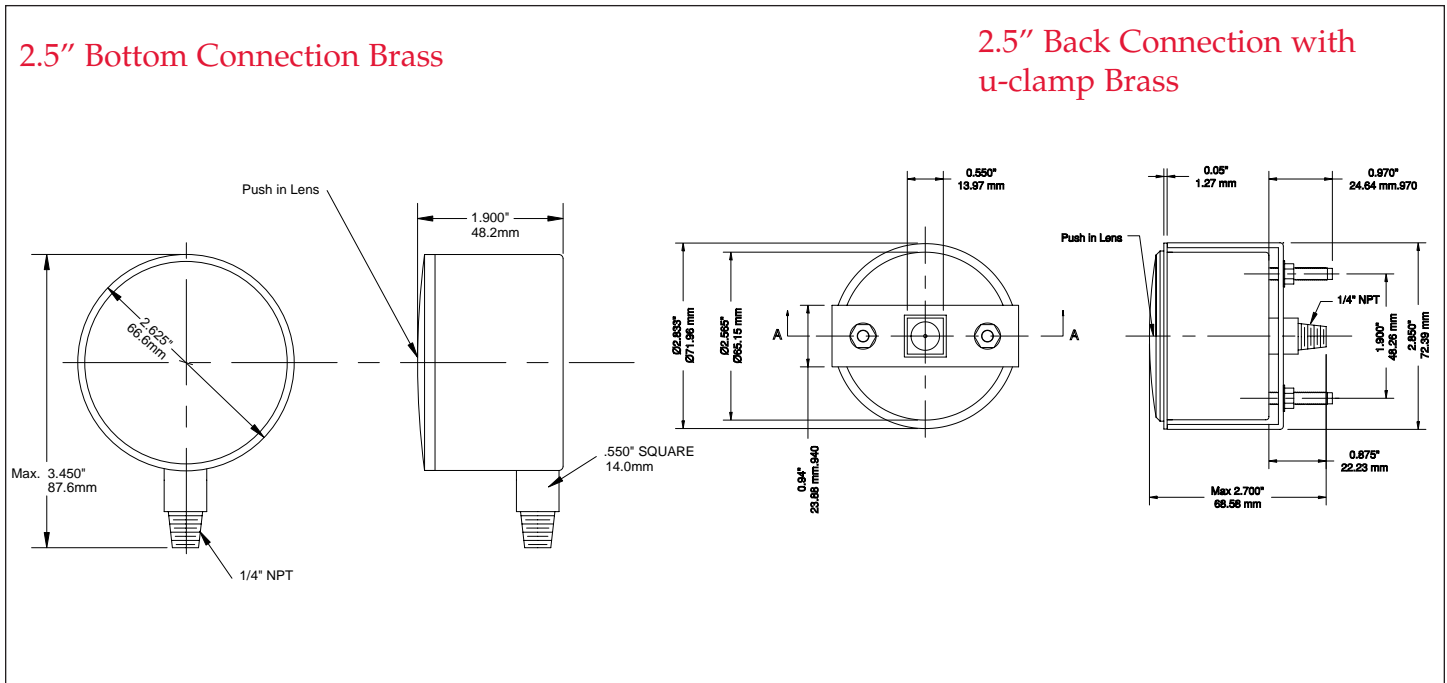
Low Pressure

How to order: Specify product code
PRODUCT CODES

Dial Size	2 1/2" (63mm)			4" (100mm)				4 1/2" (115mm)				6" (150mm)			
Case Material	Steel		St/St	Steel	St/St	Steel	Steel	Aluminum	Aluminum	Aluminum	Aluminum	Aluminum	Aluminum	Aluminum	
Connection	Bottom	Centre Back	Bottom	Bottom		Centre Back	Centre Back	Bottom	Bottom	Centre Back	Centre Back	Bottom	Centre Back	Centre Back	
NPT Connection	1/4"	1/4"	1/4"	1/4"		1/4"	1/4"	1/4"	1/4"	1/4"	1/4"	1/4"	1/4"	1/4"	
Movement socket, bellows	Brass	Brass	St/St	Brass	St/St	Brass	St/St	Brass	St/St	Brass	St/St	Brass	St/St	Brass	St/St
0-15" water vac	P300V	P340V	P350V	P310V	P4200V	P4230V	P4240V	P4250V	P4260V	P4290V	P4300V	P4310V	P4320V	*	*
0-32" water vac.	P301V	P341V	P351V	P311V	P4201V	P4231V	P4241V	P4251V	P4261V	P4291V	P4301V	P4311V	P4321V	*	*
0-55" water vac.	P302V	P342V	P352V	P312V	P4202V	P4232V	P4242V	P4252V	P4262V	P4292V	P4302V	P4312V	P4322V	*	*
0-100" water vac.	P304V	P343V	P353V	P313V	P4203V	P4233V	P4243V	P4253V	P4263V	P4293V	P4303V	P4313V	P4323V	*	*
0-15" water/oz	P300	P340	P350	P310	P4200	P4230	P4240	P4250	P4260	P4290	P4300	P4310	P4320	*	P4360
0-32" water/oz	P301	P341	P351	P311	P4201	P4231	P4241	P4251	P4261	P4291	P4301	P4311	P4321	P4351	P4361
0-55" water/oz	P302	P342	P352	P312	P4202	P4232	P4242	P4252	P4262	P4292	P4302	P4312	P4322	*	*
0-100" water/oz	P304	P343	P353	P313	P4203	P4233	P4243	P4253	P4263	P4293	P4303	P4313	P4323	P4353	P4363
0-200" water/oz	P303	P346	P356	P316	P4206	P4236	P4246	P4256	P4266	P4296	P4306	P4316	P4326	*	*
0-5 psi/kPa	P305	P344	P354	P314	P4204	P4234	P4244	P4254	P4264	P4294	P4304	P4314	P4324	P4354	P4364
0-10 psi/kPa	P306	P345	P355	P315	P4205	P4235	P4245	P4255	P4265	P4295	P4305	P4315	P4325	P4355	P4365

Notes: Other ranges available upon request.
 Other connection sizes available upon request.

- Options:**
- UC = U-clamp (2 1/2" (63mm) only)
 - LPPF6 = 6" (150mm) Front flange.
 - LPPF = Front flange 4 1/2" (115mm) only
 - LPBF = Back flange (all sizes except 2.5")
 - Phenolic case available on 4 1/2" st/st (115mm) dial



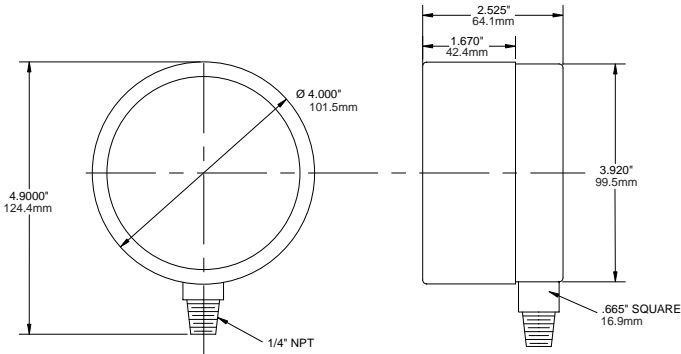
Corporate Office: 121 Railside Road • Toronto • ON • M3A 1B2 • (416) 444-2345 • Fax: (416) 444-8979

U.S.A. Office: 600 Ensminger Road • Buffalo • NY • 14150 • (716) 874-8700 • Fax: (716) 874-8800

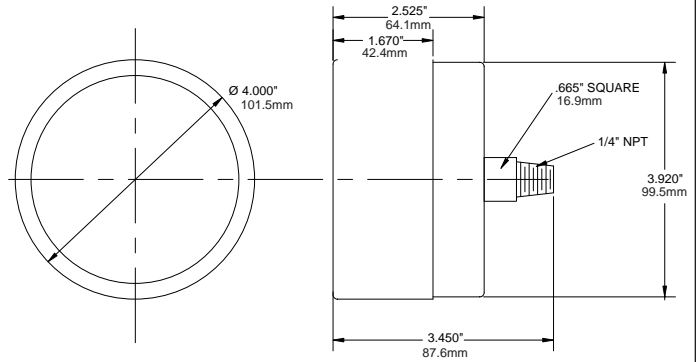
www.winters.com • 1-800-WINTERS (946-8377)

Low Pressure

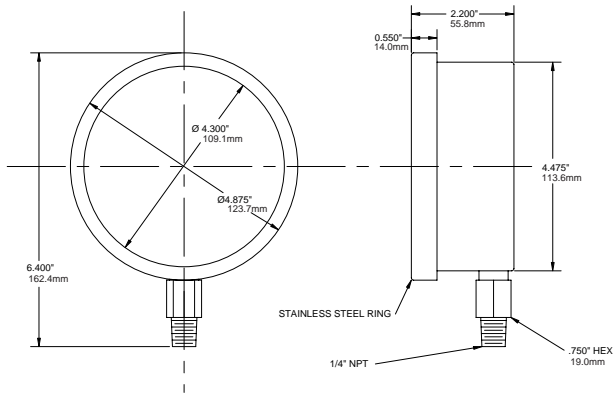
4" Bottom Connection Brass



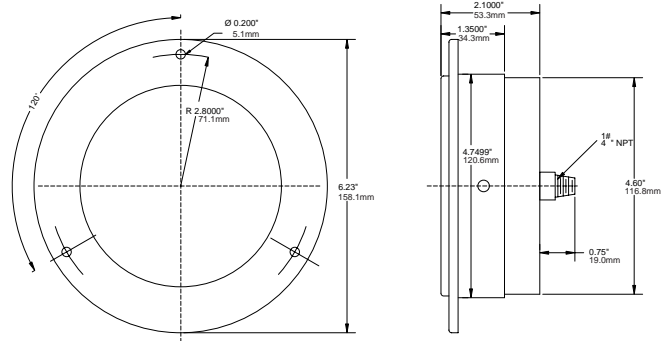
4" Back Connection Brass



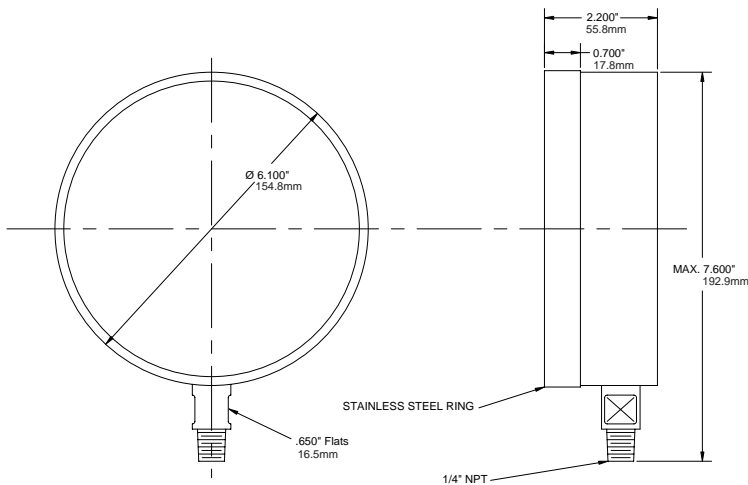
4.5" Bottom Connection Stainless Steel



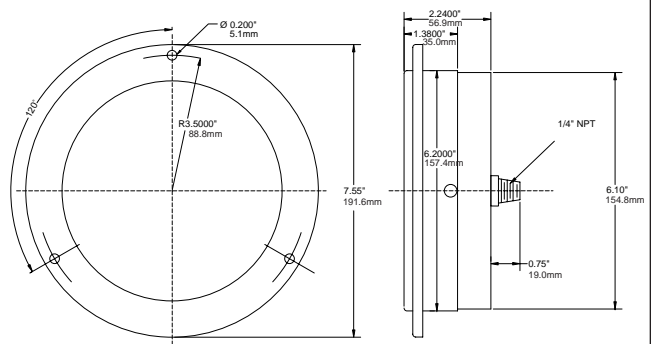
4.5" Back Connection Stainless Steel



6" Bottom Connection Stainless Steel



6" Back Connection Stainless Steel



Corporate Office: 121 Railside Road • Toronto • ON • M3A 1B2 • (416) 444-2345 • Fax: (416) 444-8979

U.S.A. Office: 600 Ensminger Road • Buffalo • NY • 14150 • (716) 874-8700 • Fax: (716) 874-8800

www.winters.com • 1-800-WINTERS (946-8377)