

"QUALITY PUMPS SINCE 1939"



ZOELLER
PUMP CO.



FM1540
0300
Supersedes
0199

3649 Cane Run Rd. • Louisville, KY 40211-1961 • U.S.A. • FAX (502) 774-3624
<http://www.zoeller.com>

QUALITY • SERVICE
INNOVATION

50 CYCLE

**MADE IN THE
U.S.A.**

Proudly Distributed by:

Instant Toilet System

50 CYCLE

Install a bath anywhere . . . without breaking concrete!

The revolutionary Zoeller Qwik Jon.

Finally, there's a fast, affordable solution to the hassle, mess and expense of digging through concrete to install a bathroom. A self-contained wastewater/sewage removal system, Qwik Jon can be easily and quickly installed virtually anywhere-on top of any floor. It also pumps in any direction, which means lack of gravity flow is no longer a problem. Qwik Jon can be installed as is, or as the heart of an entire bathroom, including toilet, lavatory, shower and bathtub. Applications include basements, room additions, factories, warehouses, new construction and many other uses.

Qwik Jon 102 systems include:

- Sewage pump, Zoeller model WU266. UL Listed.
- Durable polyethylene tank (light gray finish, black base).
- 2" back flow device and union.

Facts and Features:

- Code approved.
- 4.5 m. total dynamic head pumping height.
- Stand-alone or built-in possibilities.
- System weight: 42.6 kg.
- Access to pump compartment required.
- Designed to fit flush with any elevated floor made of 2"x 6" material (actual dimensions 1½" x 5½").
- 2" adapt-a-flex-seal (provided) allows addition of lavatory and bathtub/shower.
- Tub or shower application requires built-in installation.
- Uses standard toilets.
- IAPMO and BOCA Listed.



Model 102	
Meters	Meters 3/hr
1.5	21.0
2.0	18.0
3.0	11.4
4.0	4.5
Lock Valve:	4.5 m

Utility Pump

MODEL 48 - CAST IRON SERIES SUBMERSIBLE PUMP

DEWATERING (SUMP)

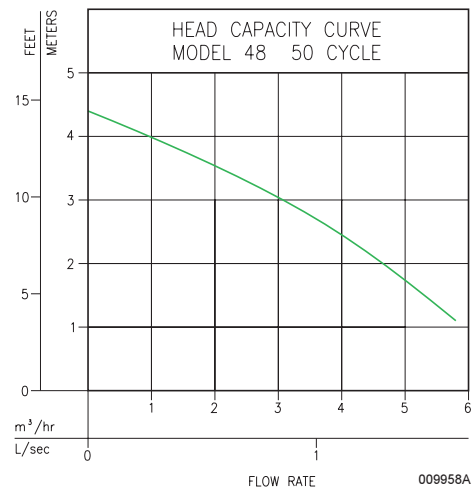
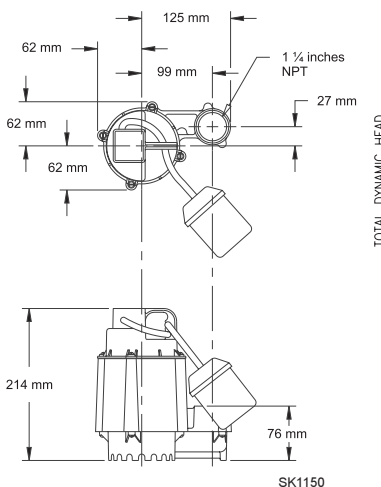
COMPARE THESE FEATURES:

- 220 Volt, 1 Ph, 3.8 Amps, 0.6 kw.
- Oil-Filled hermetically sealed.
- Automatic reset thermal overload protected.
- Rugged cast iron motor housing.
- Efficient heat sink for heat dissipation.
- Engineered thermoplastic cover and base.
- No screen to clog.
- Passes 10 mm spherical solids. 1¼ inch NPT Discharge.
- Impeller - Non-clogging vortex, engineered glass-filled thermoplastic with metal insert.
- UL Listed 2.7 m, 3-wire cord.
- Reliable tethered float switch.
- Carbon & Ceramic Rotary Seal.
- Watertight neoprene seal between motor and cover.
- Stainless Steel Screws (No sheet metal parts to corrode).
- Maximum temperature 43°C.
- On point - 260 mm. • Off Point - 115 mm.
- Weight - 6.4 kg.
- Fits 0.3 m Diameter Pits.

Water Ridd'r II

TOTAL DYNAMIC HEAD/CAPACITY EFFLUENT AND DEWATERING

MODEL		48	
Meters	Feet	m ³ /hr	L/sec
1.1	3.6	5.8	1.6
2.0	6.6	4.7	1.3
3.0	9.8	3.3	0.9
4.0	13.1	1.0	0.3
Lock Valve:		4.4m (14.4ft.)	



100% Factory Tested After Assembly

Model	Volts	PH	Mode	Input kw	Amp
WU48	220	1	Auto	0.6	3.8
V48	220	1	Nonauto	0.6	3.8

COMPARE THESE FEATURES

- Non-Clogging vortex impeller.
- Float operated, submersible (NEMA 6) 2-pole mechanical switch & variable level long cycle systems available.
- UL-listed 3-wire cord 2.7 m standard for automatic. 4.6 m standard for nonautomatic.
- No sheet metal parts to rust or corrode.
- Stainless steel screws and switch arm.
- No screens to clog.
- Watertight neoprene "□" ring between motor and pump housing.
- Automatic reset thermal overload protection.
- Oil-filled motor—hermetically sealed.
- 220V, 1 Ph, 4.5 amps, 0.8 kw.
- Entire unit pressure tested after assembly.
- Passes 13 mm spherical solids.
- Carbon and ceramic shaft seal.
- Maximum temperature for effluent or dewatering 54°C.
- On point—190 mm. • Off point—75 mm.

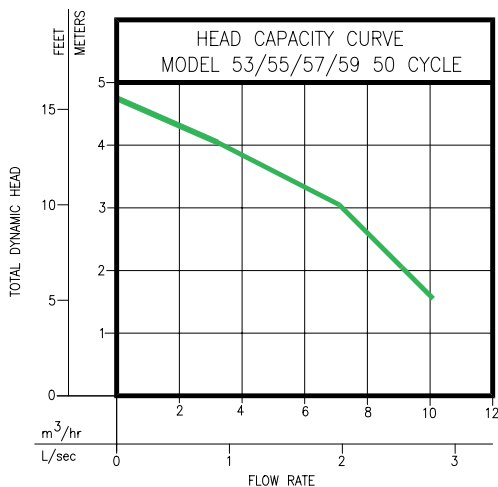
100% Factory Tested After Assembly

SPECIAL MODEL FEATURES:

MODEL 53

- Cast iron switch case, motor & pump housing.
- Glass-filled polypropylene base.
- Impeller - Non-clogging vortex, engineered glass-filled thermoplastic with metal insert.
- Galvanized guard & handle.
- Bearing - lower & upper oil fed cast iron.
- Weight: 10.0 kg.

Model	Volts	PH	Mode	Input kw	Amp
U53	220	1	Auto	0.7	4.3
V53	220	1	NonAuto	0.7	4.3



009942A

53 - Cast Iron Series "MIGHTY-MATE" EFFLUENT OR DEWATERING PUMP 1½ inch NPT DISCHARGE



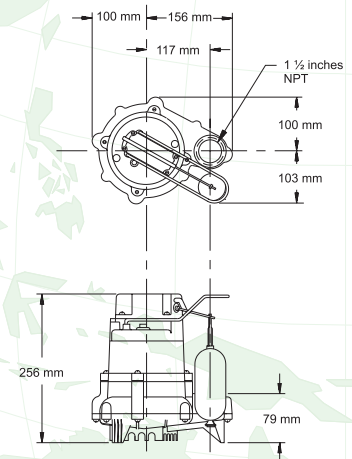
VORTEX TYPE IMPELLER



ALL MODELS ARE
COMPLETELY SUBMERSIBLE
HERMETICALLY SEALED
Watertight - dust-tight.
Permanently oiled bearings.

TOTAL DYNAMIC HEAD/CAPACITY
EFFLUENT AND DEWATERING

MODEL		53/55/57/59	
Meters	Feet	m³/hr	L/sec
1.5	5.0	10.1	2.8
2.0	6.6	9.1	2.5
3.0	9.8	7.1	2.0
4.0	13.1	3.2	0.9
Lock Valve:		4.7m (15.5ft)	



SK858

MATERIAL SPECIFICATIONS:

- Castings - Model 137 All cast iron class 25-30 25000# tensile strength. Model 139 All bronze class 88-8-0-4.
- Motor - 1 Ph, 50 cycles, 4-pole, oil-filled, 220V. Hermetically sealed, automatic reset thermal overload protected (1 Ph).
- Cord - UL Listed 3-wire neoprene cord. 3 m standard for automatic. 4.6 m standard for nonautomatic.
- Shaft Seal - Stainless steel, carbon & ceramic rotary.
- Hardware - Stainless steel, screws, bolts, washers, & lifting handle.
- Square Rings & Gasket - Neoprene.
- Bearings - Model 137 - oil lubricated, cast iron . Model 139 - oil lubricated, bronze.

ENGINEERING FEATURES:

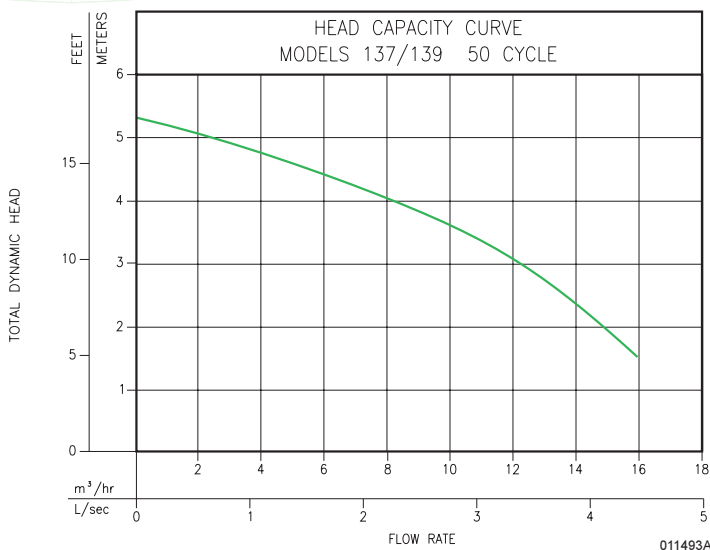
- Passes 16 mm spherical solids.
- No strainer to clog or clean.
- 1½ inch NPT female vertical discharge.
- Impeller - Non-Clogging vortex.
- Temperature to 54° C. (If over 54° C. consult factory) .
- Variable level control systems available.
- Shipping Weight - 21.3 kg.

MODELS AVAILABLE

- Automatic or Nonautomatic
- Available with Piggyback Variable Level Float Switch.

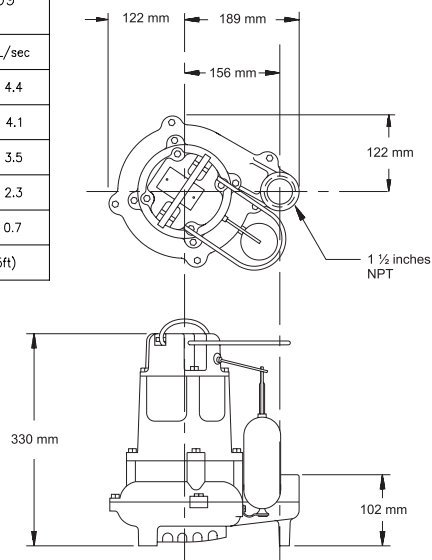
Model	Volts	PH	Mode	Input kw	Amp
U137/139	220	1	Auto	0.7	4.2
V137/139	220	1	NonAuto	0.7	4.2

**137 Cast Iron Series
139 Bronze Series
“FLOW-MATE”
EFFLUENT
OR DEWATERING PUMP
SUBMERSIBLE
1½ inch NPT DISCHARGE**



TOTAL DYNAMIC HEAD/CAPACITY EFFLUENT AND DEWATERING

MODEL		137/139	
Meters	Feet	m³/hr	L/sec
1.5	4.9	15.9	4.4
2.0	6.6	14.8	4.1
3.0	9.8	12.5	3.5
4.0	13.1	8.4	2.3
5.0	16.4	2.6	0.7
Lock Valve:		5.3m (17.5ft)	



SK373

MATERIAL SPECIFICATIONS:

- Non-Clogging vortex impeller.
- Durable cast iron construction with stainless steel screws and handle.
- Motor - 1Ph, 50 cycle, 220V, 2 pole, oil-filled, hermetically sealed, thermal overload protected.
- Cord - 4.6 m UL Listed 3-wire neoprene cord.
- Shaft Seals - Carbon and ceramic.
- Bearings - Lower ball, oil lubricated.
- Entire unit pressure tested after assembly.

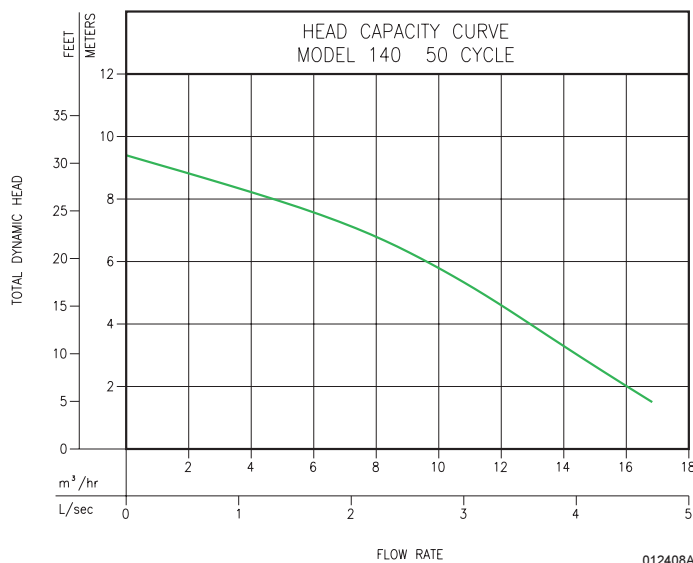
ENGINEERING FEATURES:

- Passes 13 mm spherical solids.
- 1½ inch NPT female vertical discharge.
- Impeller - Non-Clogging vortex.
- Maximum operating temp. 54°C.
- Shipping Weight - 24.5 kg.

MODELS AVAILABLE

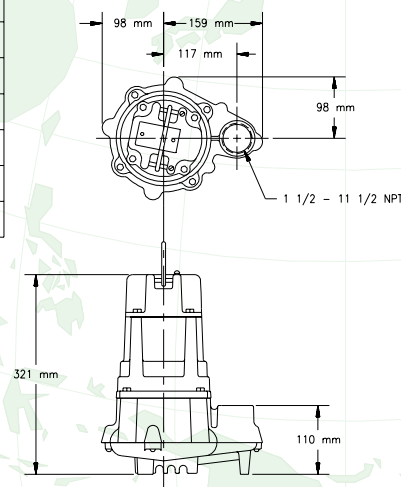
- Nonautomatic

Model	Volts	PH	Mode	Input kw	Amp
V140	220	1	Nonauto	1.0	6.2



TOTAL DYNAMIC HEAD/CAPACITY
SEWAGE AND DEWATERING

MODEL		140	
Meters	Feet	m³/hr	L/sec
1.5	4.9	16.8	4.7
2.0	6.6	14.0	3.9
4.0	13.1	12.9	3.6
6.0	19.7	9.4	2.6
8.0	26.2	4.8	1.3
Lock Valve:		9.4m (30.8ft)	



SK1524B

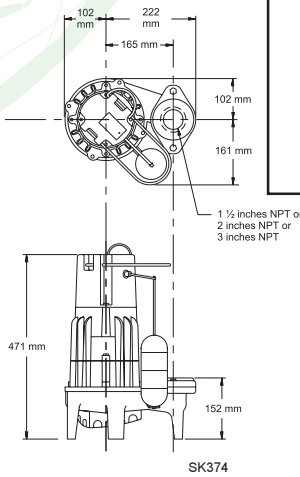
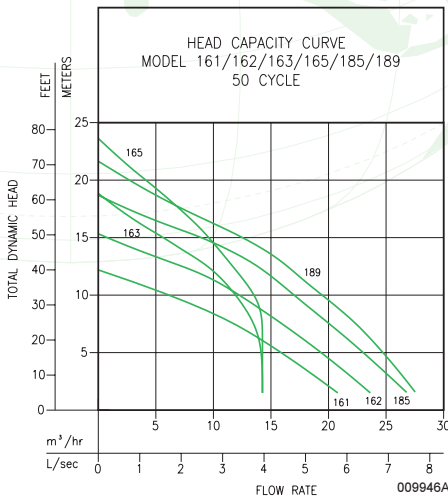
MATERIAL SPECIFICATIONS:

- Castings - Cast iron class 25-30 25000# tensile strength impeller, bronze class 88-8-0-4.
- Motor - 1 Ph, 50 cycle, 220V, 2-pole, oil-filled hermetically sealed, automatic reset thermal overload protected (1 Ph).
- Shaft Seal - Stainless steel, carbon & ceramic rotary.
- Hardware - Stainless steel screws, bolts, washers, & lifting handle.
- Square Ring & Gasket - Neoprene.
- Bearings - Lower ball & upper sleeve, oil lubricated.
- Cord - 6.1 m UL Listed 3-wire neoprene cord.

ENGINEERING FEATURES:

- Passes 19 mm spherical solids.
- No strainer to clog or stop up.
- 1½ inch NPT female vertical discharge with 2 inch or 3 inch NPT flange available.
- Temperature to 54° C. (If over 54° C. consult factory).
- Variable level control systems available.
- Impeller - Non-Clogging vortex .
- Shipping Weight - 37.2 kg.
- **Double seal models also available.**

100% Factory Tested After Assembly



161, 162, 163, 165, 185, 189 Series

**HIGH HEAD
“FLOW-MATE”**

EFFLUENT

OR DEWATERING PUMP

SUBMERSIBLE

1½ inch NPT DISCHARGE

2 inch and 3 inch NPT Flange Available



Model	Volts	PH	Mode	Input kw	Amp
U161	220	1	Auto	1.2	4.8
V161	220	1	Nonauto	1.2	4.8
U162	220	1	Auto	1.4	6.2
V162	220	1	Nonauto	1.4	6.2
AK162	380	3	Nonauto	1.4	1.5
U163	220	1	Auto	1.5	6.4
V163	220	1	Nonauto	1.5	6.4
AK163	380	3	Nonauto	1.5	1.6
U165	220	1	Auto	1.8	8.2
V165	220	1	Nonauto	1.8	8.2
AK165	380	3	Nonauto	1.8	2.0
U185	220	1	Auto	2.0	8.7
V185	220	1	Nonauto	2.0	8.7
AK185	380	3	Nonauto	2.0	2.2
U189	220	1	Auto	2.9	14.2
V189	220	1	Nonauto	2.9	14.2
AK189	380	3	Nonauto	2.9	3.5

TOTAL DYNAMIC HEAD/CAPACITY
EFFLUENT AND DEWATERING

MODELS	161		162		163		165		185		189			
	Feet	Meters	m³/hr	L/sec	m³/hr	L/sec	m³/hr	L/sec	m³/hr	L/sec	m³/hr	L/sec		
	5.0	1.5	20.8	5.8	23.6	6.6	14.3	4.0	14.3	4.0	26.8	7.4	27.5	7.6
	6.6	2.0	20.1	5.6	23.1	6.4	14.3	4.0	14.3	4.0	26.3	7.3	27.2	7.6
	13.1	4.0	17.4	4.8	20.7	5.8	14.3	4.0	14.3	4.0	24.2	6.7	25.6	7.1
	19.7	6.0	14.6	4.1	18.1	5.0	14.3	4.0	14.3	4.0	21.9	6.1	23.9	6.6
	26.2	8.0	11.1	3.1	15.3	4.3	13.3	3.7	14.3	4.0	19.5	5.4	21.8	6.1
	32.8	10.0	6.5	1.8	12.3	3.4	12.0	3.3	13.7	3.8	17.0	4.7	19.4	5.4
	39.4	12.0	.6	.2	8.8	2.4	10.3	2.9	12.1	3.4	14.7	4.1	16.8	4.7
	52.5	16.0	--	--	--	--	3.8	1.1	8.7	2.4	6.3	1.8	10.5	2.9
	65.6	20.0	--	--	--	--	--	--	4.2	1.2	--	--	2.6	.7
Lock Valve:			12.2m (40.0ft)		15.3m (50.3ft)		18.8m (61.7ft)		23.6m (77.4ft)		18.7m (61.4ft)		21.6m (71.0ft)	

MATERIAL SPECIFICATIONS:

- Castings - Cast iron class 25-30 25000# tensile strength switch case, motor and pump housing.
- Motor - 1 Ph, 50 cycle, 220V, 4-pole, oil-filled, hermetically sealed, automatic reset, thermal overload protected (1 Ph).
- Cord - UL listed 3-wire neoprene cord.
3.5 m cord standard for Automatic.
4.6 m cord standard for Nonautomatic.
- Shaft Seal - Stainless steel, carbon & ceramic rotary.
- Hardware - Stainless steel, screws, bolts, washers, & lifting handle.
- Square Ring & Gasket - Neoprene.
- Bearings - oil lubricated, cast iron.
- Base engineered plastic (Model 266). Cast Iron (Model 267).

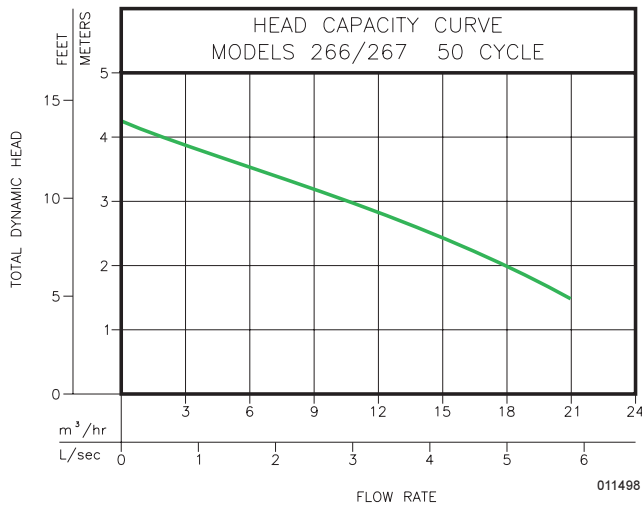
ENGINEERING FEATURES:

- Passes 50 mm spherical solids.
- Temperature to 54° C.
- 2 inch NPT female vertical discharge.
- Impeller - Non-Clogging vortex.
- Variable level control systems available.
- Shipping Weight: 19kg.

100% Factory Tested After Assembly

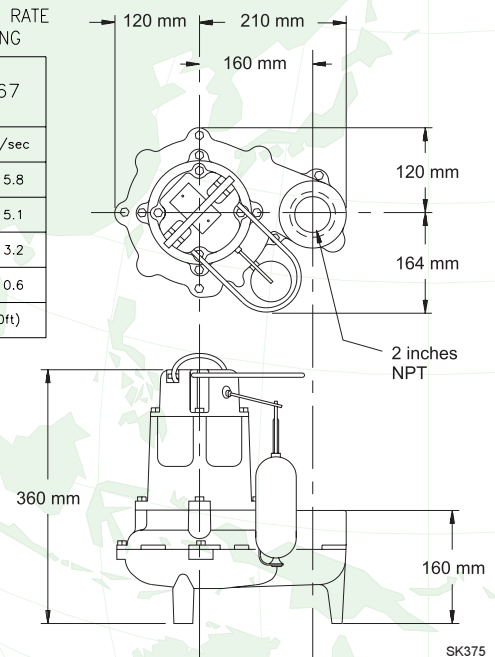
Model	Volts	PH	Mode	Input kw	Amp
U266	220	1	Auto	0.7	4.4
V266	220	1	NonAuto	0.7	4.4
U267	220	1	Auto	0.7	4.4
V267	220	1	NonAuto	0.7	4.4

266, 267 Series “WASTE-MATE” SEWAGE/EFFLUENT OR DEWATERING PUMP SUBMERSIBLE 2 inch NPT DISCHARGE



TOTAL DYNAMIC HEAD/FLOW RATE
SEWAGE AND DEWATERING

MODEL		266/267	
Meters	Feet	m³/hr	L/sec
1.5	4.9	20.9	5.8
2.0	6.6	18.3	5.1
3.0	9.8	11.6	3.2
4.0	13.1	2.0	0.6
Lock Valve:		4.3m (14.0ft)	



SK375

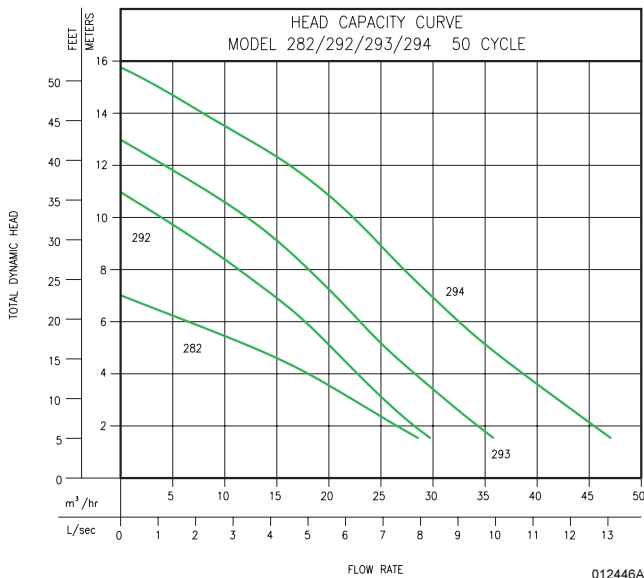
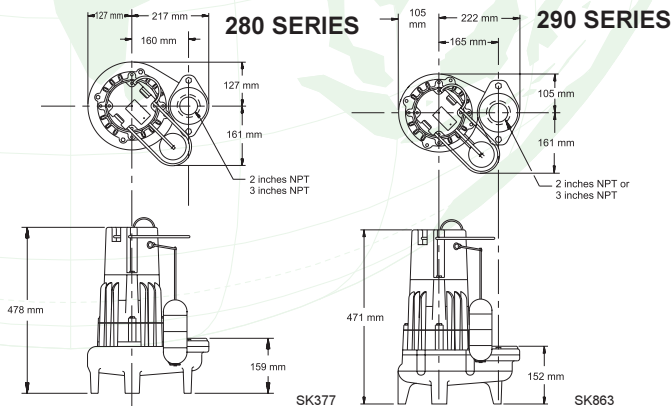
MATERIAL SPECIFICATIONS:

- Castings - Cast iron class 25-30 25000# tensile strength impeller, bronze class 88-8-0-4.
- Motor - 1 Ph & 3 Ph, 50 cycle, 2-pole - 290 Series, 4-pole - 282 Series, oil-filled, hermetically sealed, automatic reset thermal overload protected (1 Ph).
- Shaft Seal - Stainless steel, carbon & ceramic rotary.
- Hardware - Stainless steel, screws, bolts, washers, & lifting handle.
- Square Ring & Gasket - Neoprene.
- Bearings - Lower ball & upper sleeve, oil lubricated.
- Cords - Neoprene jacketed 3-wire (1 Ph) or 4-wire (3 Ph).
4.6m - 280 Series.
6.1m - 290 Series.

ENGINEERING FEATURES:

- Passes 50 mm spherical solids.
- 2 inch or 3 inch NPT female flanged vertical discharge.
- Temperature to 54° C.
- Variable level control systems available.
- Impeller - Brass Non-Clogging vortex.
- Shipping Weight - 37.6 kg.
- **Double seal models also available.**

100% Factory Tested After Assembly



282, 292, 293, 294 Series
HIGH HEAD
“WASTE-MATE”
SEWAGE
OR DEWATERING PUMP
SUBMERSIBLE
2 inch or 3 inch Flanged Discharge



Model	Volts	PH	Mode	Input kw	Amp
U282	220	1	Auto	1.0	5.7
V282	220	1	Nonauto	1.0	5.7
AK282	380	3	Nonauto	1.0	1.3
U292	220	1	Auto	1.5	6.6
V292	220	1	Nonauto	1.5	6.6
AK292	380	3	Nonauto	1.5	1.6
U293	220	1	Auto	1.8	8.2
V293	220	1	Nonauto	1.8	8.2
AK293	380	3	Nonauto	1.8	2.0
U294	220	1	Auto	2.8	14.3
V294	220	1	Nonauto	2.8	14.3
AK294	380	3	Nonauto	2.5	3.8

TOTAL DYNAMIC HEAD/CAPACITY
 SEWAGE AND DEWATERING

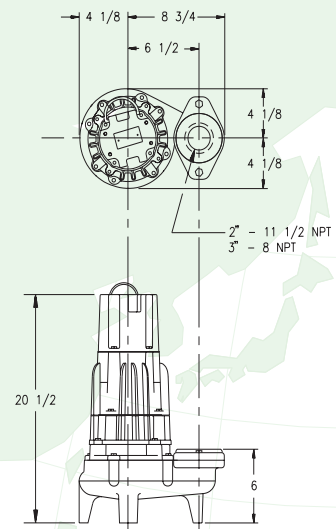
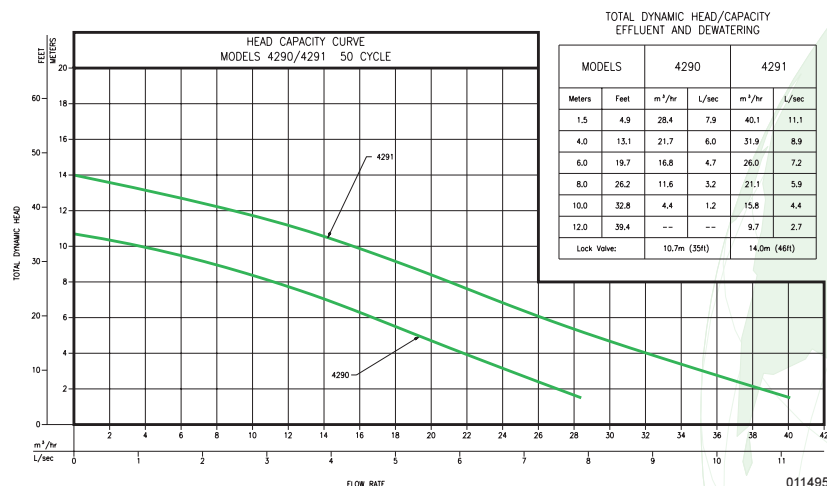
MODELS		282		292		293		294	
Feet	Meters	m ³ /hr	L/sec	m ³ /hr	L/sec	m ³ /hr	L/sec	m ³ /hr	L/sec
5.0	1.5	28.6	7.9	29.8	8.3	35.8	9.9	47.1	13.1
13.1	4.0	18.1	5.0	22.7	6.3	28.3	7.9	38.6	10.7
19.7	6.0	6.5	1.8	17.8	4.9	23.0	6.4	32.5	9.0
26.2	8.0	--	--	11.4	3.2	16.1	5.0	27.2	7.6
32.8	10.0	--	--	4.0	1.1	12.2	3.4	22.4	6.2
39.4	12.0	--	--	--	--	4.2	1.2	16.4	4.6
45.9	14.0	--	--	--	--	--	--	7.8	2.2
Lock Valve:		7.0m (23.0ft)		11.0m (35.0ft)		13.0m (42.6ft)		15.5m (50.9ft)	

MATERIAL SPECIFICATIONS:

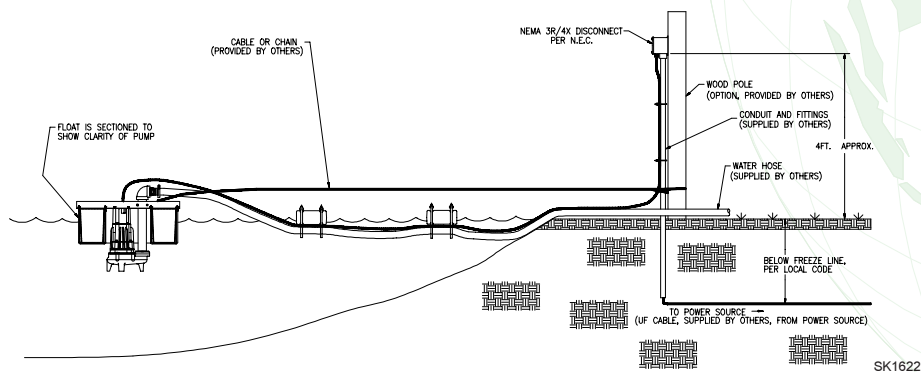
- Non-Clogging vortex impeller.
- Passes 38 mm spherical solids.
- Available with 2 inch or 3 inch NPT vertical flange discharge.
- Durable cast iron construction with stainless steel screws and handle.
- 15 m UL listed neoprene jacketed power cable. Extra lengths, 23 m - 30 m available.
- Motor - 1 Ph, 220V, 2-pole - 3 Ph, 380V, 2-pole, oil-filled, hermetically sealed, thermal overload protection with automatic reset (1 Ph).
- Maximum operating temp. 54°C.
- Shaft Seals - Carbon and ceramic.
- Neoprene gaskets and seals.
- Double shaft seals provide extra protection for motor.
- Large clearances to help prevent stoppage from buildup of solids.
- Pump flotation devices available for Lagoon installations.
- Moisture Sensors available for early warning of seal failure. (Optional Simplex Control Panel required)

Model	Volts	PH	Mode	Input kw	Amp
V4290	220	1	Nonauto	1.4	5.9
AK4290	380	3	Nonauto	1.4	2.3
V4291	220	1	Nonauto	2.8	14.0
AK4291	380	3	Nonauto	2.1	3.5

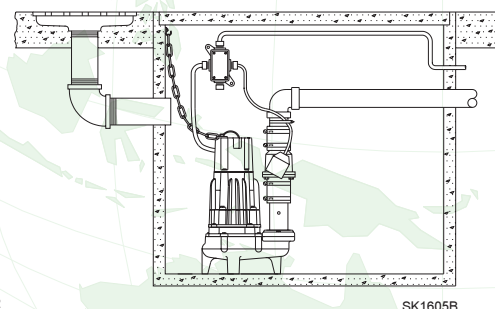
4290-4291 Double Seal Series
HIGH HEAD
“AGRICULTURAL”
PUMP
 SPECIFICALLY
 DESIGNED FOR LAGOON
 OR SUMP PIT
 APPLICATIONS



LAGOON RECIRCULATION SYSTEMS



PIT SYSTEMS



6620 - 6630 - 6640

MATERIAL SPECIFICATIONS

PUMP:

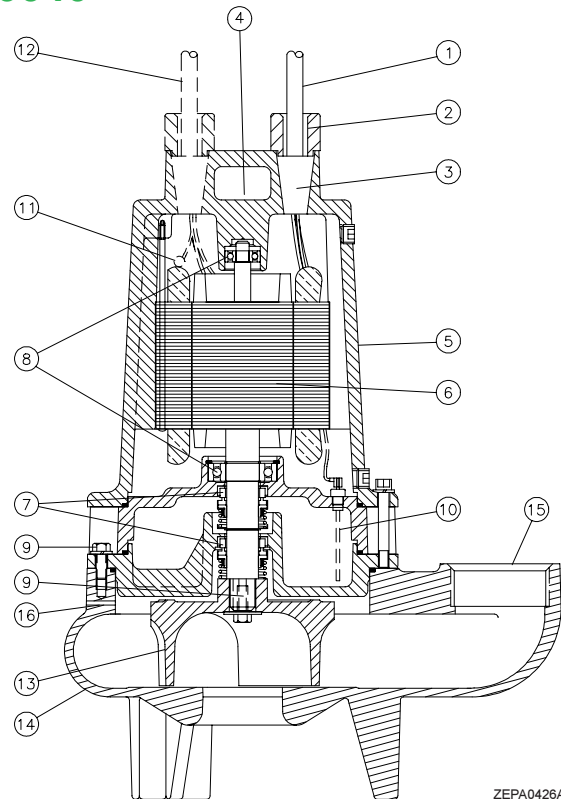
- Solids - 64 mm spherical capability.
- Discharge Size - 3 inch NPT vertical or Horizontal Flanged and 4 inch ANSI B16.10 horizontal flanged.
- Seals - dual mechanical carbon/rotary ceramic/stationary, buna-n elastomers.
- Construction - Cast Iron ASTM A-48, Class 30, 30,000# tensile strength, protected with a 2-part corrosion resistant epoxy coating.
- Attaching Hardware - 304 stainless steel.
- "O" Ring Seals - Buna-N.
- Impeller - 2 blade semi-open with top pump out vanes.
- Optional:
 - Moisture probes and leads
 - Silicon carbide seals
 - Additional cord length
 - Vortex Impeller
 - Trimmed Impeller
 - Bronze Impeller
 - Rail Systems

MOTOR:

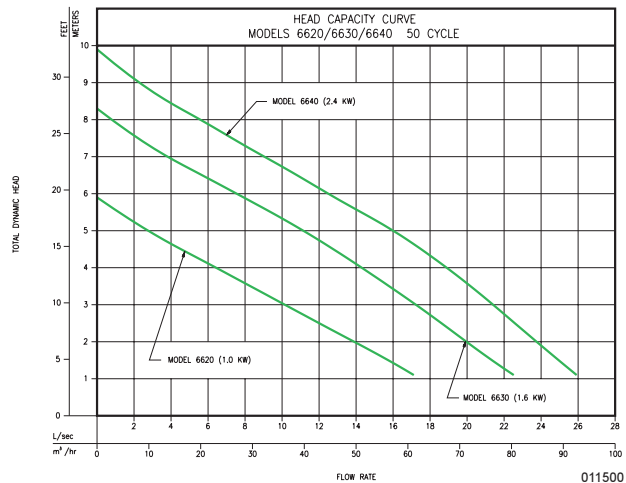
- 1 Phase - 220 Volt, 4-pole, 50 cycle.
- 3 Phase - 380 Volt, 4-pole, 50 cycle.
- Stator - Class F insulation and lead wires . Nema B design.
- Housing - Cast Iron, oil-filled.
- Ball Bearings - Dual high carbon chromium steel.
- Power Cable Length - 7.6 m.
- Optional:
 - Thermal sensor and leads.

ENGINEERING FEATURES:

1. 7.6 m of extra heavy duty power cable.
2. Optional: 3/4 inch heavy wall conduit threads for protection of cable assemblies from pumping fluid.
3. Protected cable entrance. The compression grommet allows for field replacement of the cable and each conductor is individually sealed to eliminate cord wicking of liquids.
4. Lifting lug integral part of housing.
5. Oil-filled motor housing assures uniform heat distribution, lubricates bearings, and conducts heat for cooler running.
6. Heavy duty motor features ball bearing construction. Class F motor insulation is double dipped and baked. End connections and lead wires are Class F. At maximum load, winding temperature will not exceed 121°C with motor housing not submerged.
7. Tandem seals. Carbon/rotating, ceramic/stationary, buna-n elastomers.
8. Upper and lower high carbon chromium steel ball bearings.
9. Stainless steel shaft and hardware resists corrosion.
10. Optional: Thermal sensor protection. Single phase motors have integral thermal shut-off switch in windings.
11. Thermal sensor protection.
12. 7.6 m sensor cable.



ZEPA0426A



011500

13. Balanced cast iron 2 vanes semi-open impeller with top pump out vanes for seal protection. Keyed and bolted to shaft.
14. Concentric case reduces radial loading for longer bearing and seal life.
15. 3 inch NPT vertical discharge or 4 inch ANSI B16.10 horizontal flanged.
16. Vent hole helps prevent air locking.
17. Units protected with a 2-part corrosion resistant epoxy coating.