

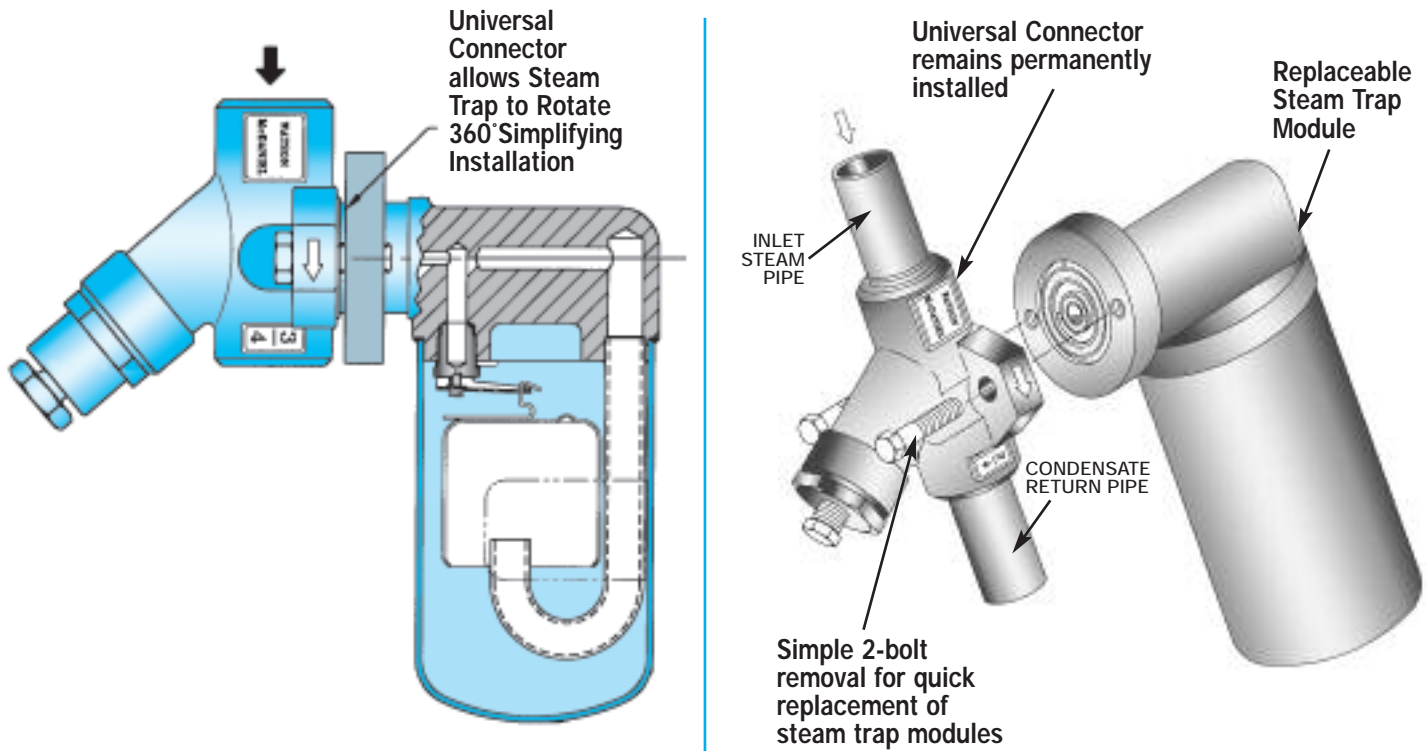
## UNIVERSAL STEAM TRAPS

# Universal Connectors

## for Steam Trap Modules

Watson McDaniel reserves the right to change the designs and/or materials of its products without notice.  
©2006 Watson McDaniel Company

Universal Connectors are used in steam systems to simplify the replacement and maintenance of Steam Traps.



**Universal Connectors allow Steam Traps to be removed and replaced in minutes without having to disconnect any piping.**

**Two bolts** connect the steam trap module to the permanently-installed universal connector, allowing the trap module to be quickly and easily removed and replaced using an open-end or socket wrench. The **Universal Connector System** is commonly used in chemical plants, petrochemical refineries, paper mills and most other industrial facilities. Watson McDaniel's WU450 connectors conform to industrial standards, making them compatible with other manufacturers' universal steam trap modules.

Watson McDaniel recommends using the Universal Connector System in any application\*, but especially those which require frequent maintenance or replacement of steam traps.

*\*within the capacity and pressure/temperature range of the universal connector system.*

- Universal connector with 2-bolt mounting allows for fast, easy replacement of trap module, making it more cost-effective than replacing conventional type steam traps
- All stainless steel construction
- Trap module can swivel 360° on the universal connector allowing any orientation during installation
- Compatible with most other manufacturer's trap modules
- Available with integral strainer and blowdown valve

# UNIVERSAL STEAM TRAPS

## WU450 Series

### Universal Connectors for Steam Trap Modules

Model	WU450, WU450S, WU450SB
Sizes	1/2", 3/4", 1"
Connections	NPT, SW, FLG
Body Material	Stainless Steel
PMO Max. Operating Pressure	(trap module dependent)
TMO Max. Operating Temperature	(trap module dependent)
PMA Max. Allowable Pressure	720 PSIG @ 100°F
TMA Max. Allowable Temperature	800°F @ 400 PSIG

Steam Trap Modules that mount to Universal Connectors are shown on the following pages: Trap modules available in: Inverted Bucket, Float & Thermostatic, Thermodynamic and Thermostatic.

### TYPICAL APPLICATIONS

**DRIP, TRACER:** The **WU450 Series** Universal Connectors are used in steam systems where a simplified and economical maintenance program of steam traps is desired. These universal connectors can be used for drip service on steam mains and steam supply lines, tracing, or small process equipment. Industrial standard 2-bolt universal connectors are commonly used in chemical plants, petrochemical refineries, paper mills and other industrial facilities. The WU450 connectors conform to industrial standards, making them compatible with other manufacturers' universal steam trap modules.

Used with the following Watson McDaniel Steam Trap Modules:

- WSIB450 - Inverted Bucket
- WD450 - Thermodynamic
- WT450 - Thermostatic
- WFT450 - Float & Thermostatic

### HOW IT WORKS

WU450 universal connectors remain permanently installed in the piping system. The convenient 2-bolt mounting system allows the trap module to be replaced quickly and easily using a socket or open-end wrench.

### FEATURES

- Universal connector with 2-bolt mounting allows for fast, easy replacement of trap module making it more cost-effective than replacing conventional type steam traps
- All stainless steel construction
- Trap module can rotate 360° on the universal connector allowing any orientation during installation
- Compatible with most other manufacturers' trap modules
- Available with integral strainer and blowdown valve

### SAMPLE SPECIFICATION

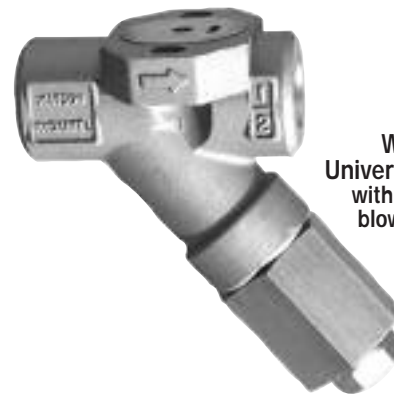
The Universal Connector shall be all stainless steel construction with a two-bolt 360 degree swivel mount flange design and available with integral strainer and blowdown valve.



WU450  
Universal Connector



WU450S  
Universal Connector  
with strainer



WU450SB  
Universal Connector  
with strainer  
and  
blowdown valve

Note: Optional Flange units available.

### INSTALLATION

The universal connector can be installed in any position. Installation should include isolation valves.

### MAINTENANCE

The strainer should be periodically cleaned by removal or use of the optional blowdown valve. For full maintenance details see Installation and Maintenance Manual.

### MATERIALS

Body	Stainless Steel, AISI 316
Strainer*	40 Mesh Stainless Steel, AISI 304
Blowdown Valve**	Stainless Steel, AISI 303

\* Strainer available on WU450S and WU450SB models only.

\*\*Blowdown Valve available on WU450SB model only.

### HOW TO ORDER

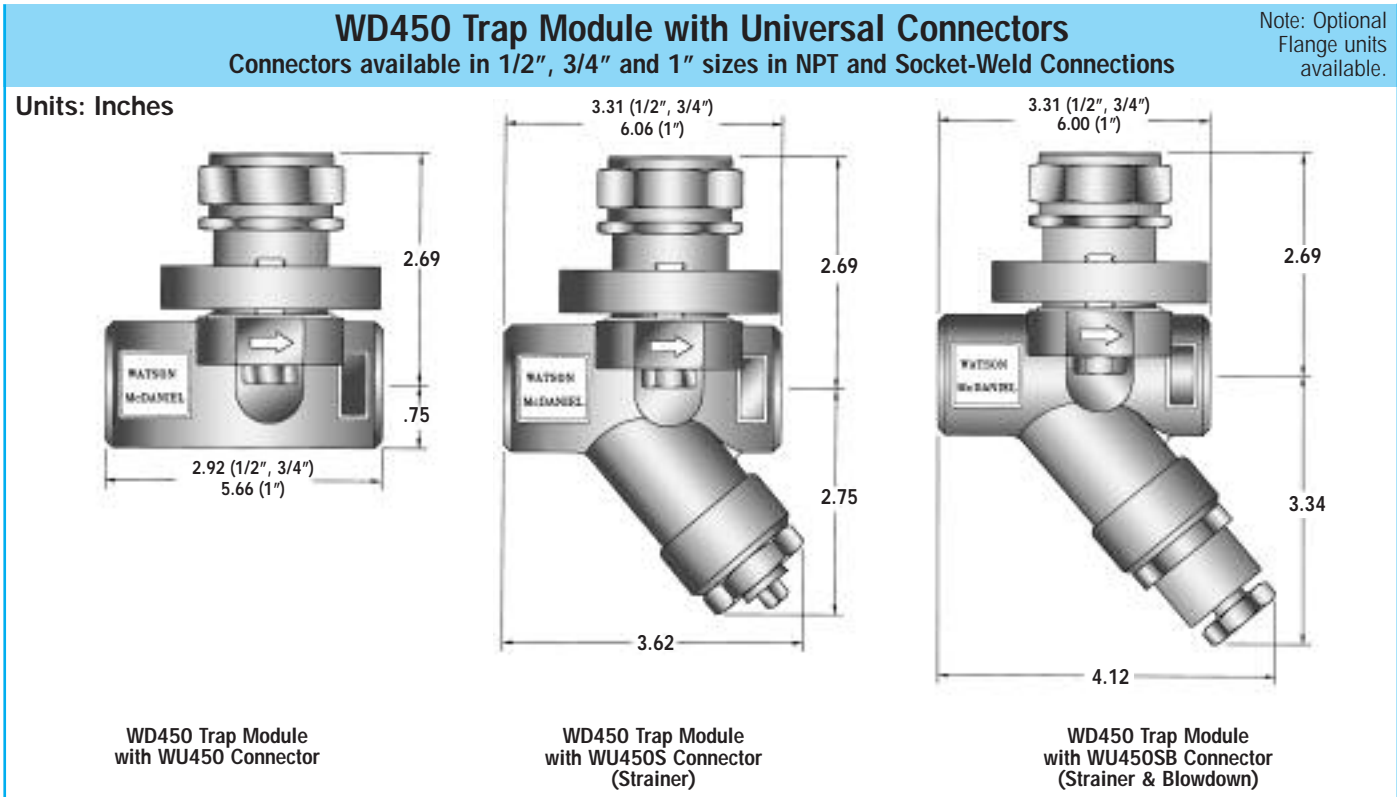
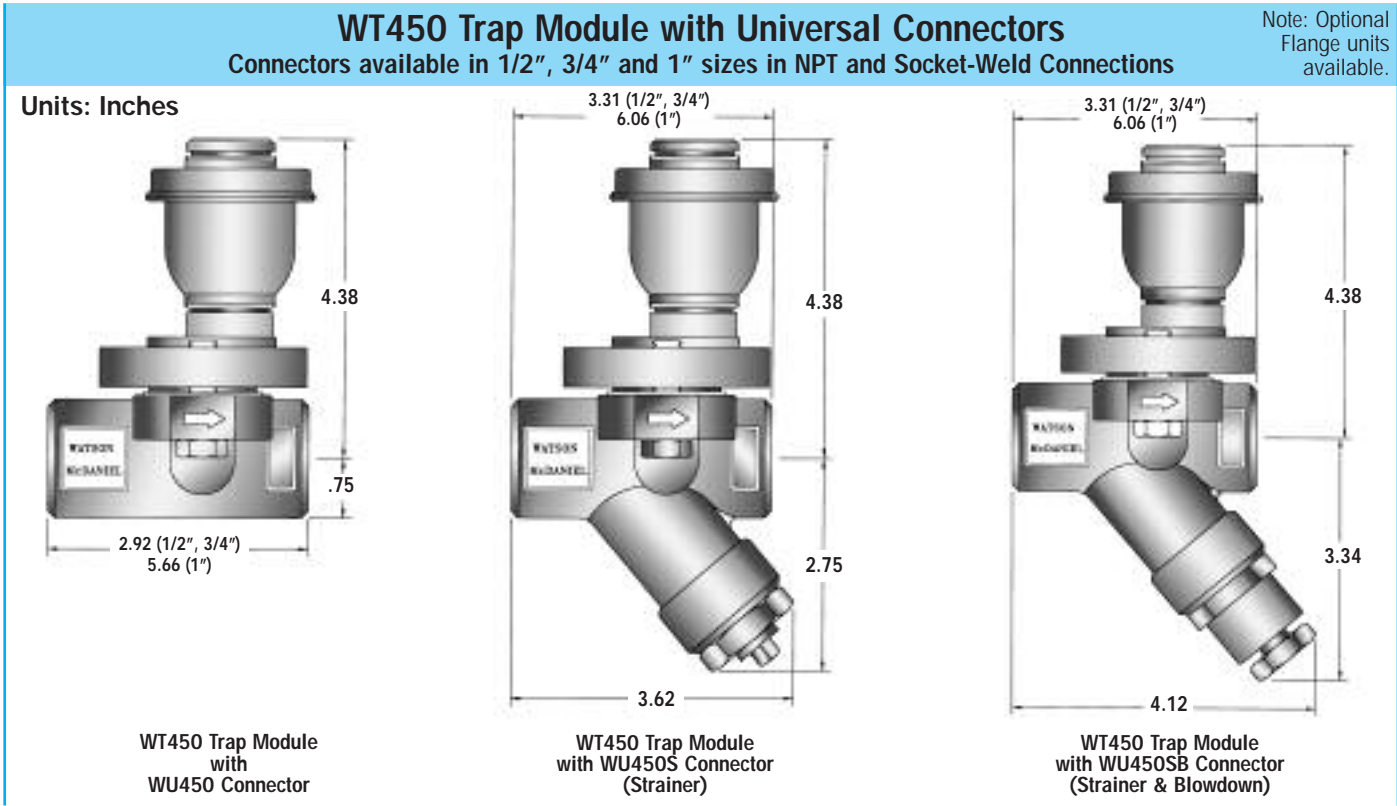
Specify universal connector. See following pages for Steam trap Modules.

# UNIVERSAL STEAM TRAPS

## 450 Series

Watson McDaniel reserves the right to change the designs and/or materials of its products without notice.  
©2006 Watson McDaniel Company

### Dimensions - WD450 & WT450 with Universal Connectors



# UNIVERSAL STEAM TRAPS

## 450 Series

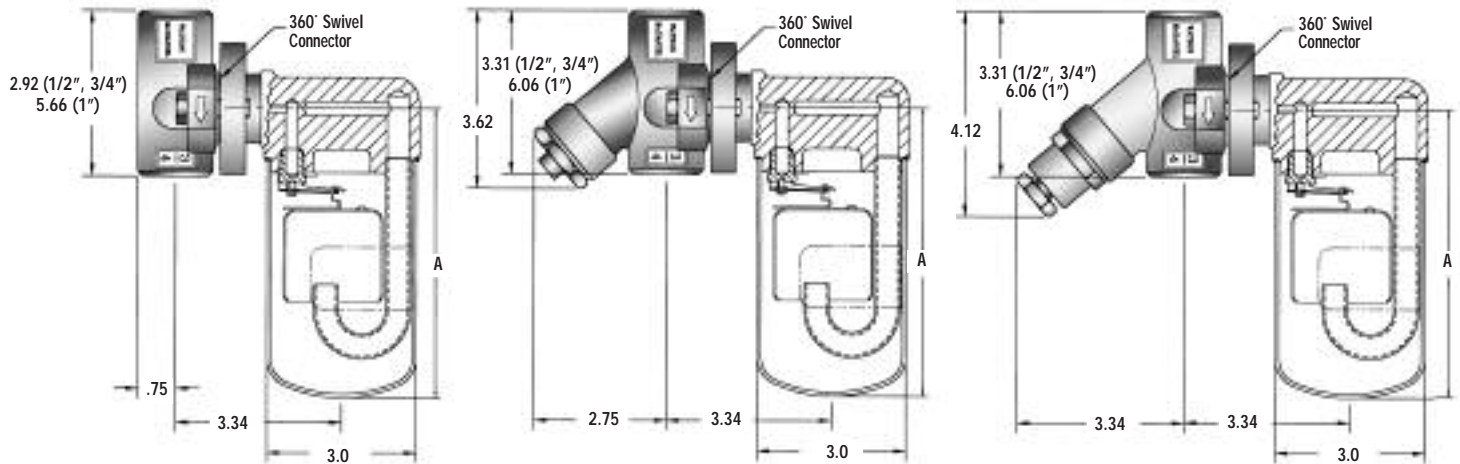
### Dimensions - WSIB450 & WFT450 with Universal Connectors

#### WSIB450 Trap Module with Universal Connectors

Connectors available in 1/2", 3/4" and 1" sizes in NPT and Socket-Weld Connections

Note: Optional Flange units available.

Unit: Inches



**WSIB450** A-Dimension 5-7/8"  
**WSIB450H** A-Dimension 6-9/16"

**WSIB450 Trap Module**  
 with  
 WU450 Connector

**WSIB450** A-Dimension 5-7/8"  
**WSIB450H** A-Dimension 6-9/16"

**WSIB450 Trap Module**  
 with  
 WU450S Connector (Strainer)

**WSIB450** A-Dimension 5-7/8"  
**WSIB450H** A-Dimension 6-9/16"

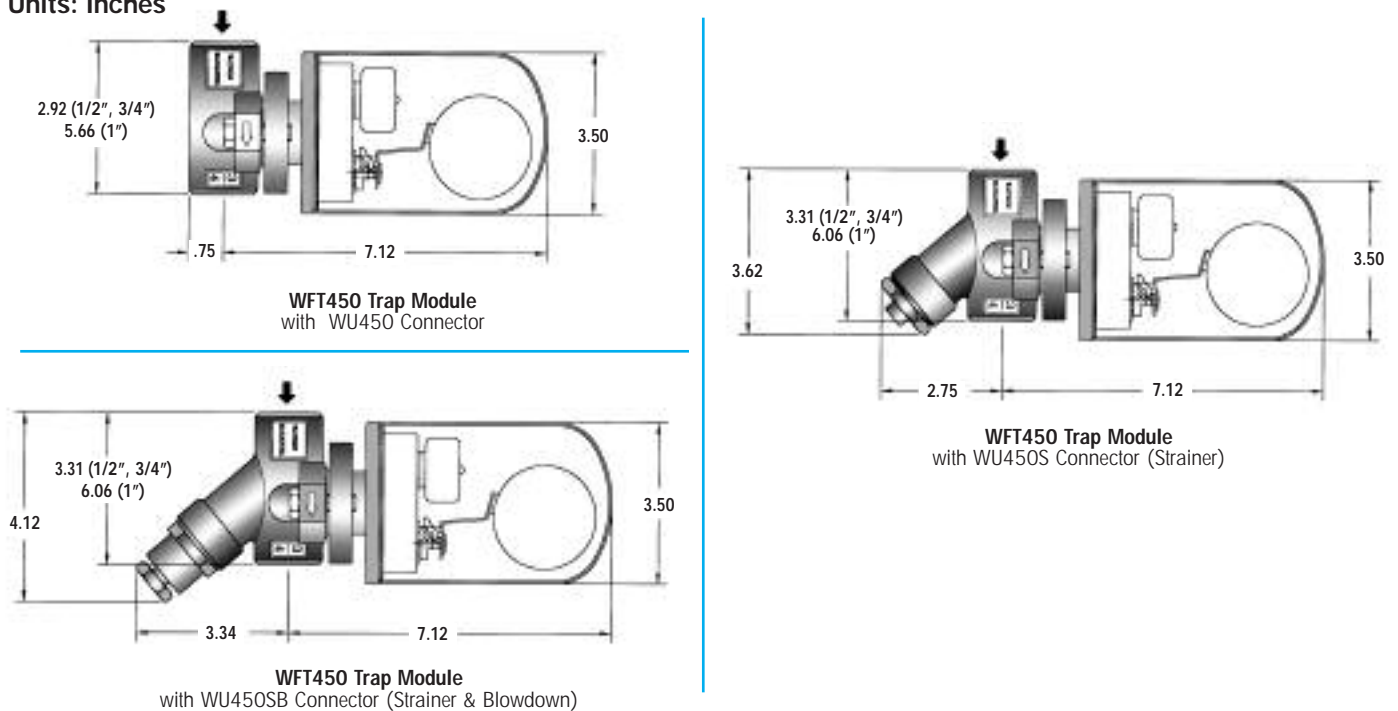
**WSIB450 Trap Module**  
 with  
 WU450SB Connector (Strainer & Blowdown)

#### WFT450 Trap Module with Universal Connectors

Connectors available in 1/2", 3/4" and 1" sizes in NPT and Socket-Weld Connections

Note: Optional Flange units available.

Units: Inches



**WFT450 Trap Module**  
 with WU450 Connector

**WFT450 Trap Module**  
 with WU450S Connector (Strainer)

**WFT450 Trap Module**  
 with WU450SB Connector (Strainer & Blowdown)