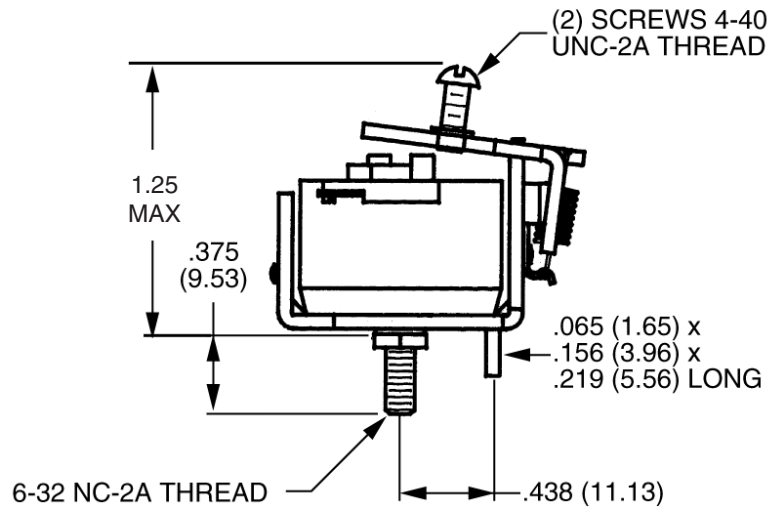
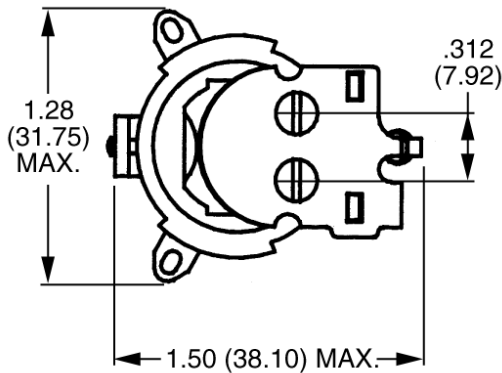




100C

100C CLAPPERS

100C DIMENSIONS [Unit Inch (mm)]



Coil Characteristics are Same as 100 Series Except Operating Ambient is Increased by 40°C. See Page 6.

- Approximate Weight – 1.6 oz. (45 g)
- Medium Duty AC or DC
- Molded Rynite® Coil For Fungus and Moisture Protection
- Terminals Molded Into Coil For Extra Strength, Virtually Eliminates Open Coils

COIL DATA/ORDERING INFORMATION

100C Series AC

| VOLTAGE | P/N | RESISTANCE IN OHMS ± 10% | NOMINAL COIL POWER | HOLDING FORCE @ 120VAC (OUNCES) |
|---------|----------|--------------------------------|--------------------------|---|
| 6VAC | 20013-80 | 5.0 | 2.0VA | 100% Hot – 16.5 100% Cold – 14.5 85% Hot – 11.5 85% Cold – 9.5 |
| 12VAC | 20013-81 | 20 | | |
| 24VAC | 20013-82 | 80 | | |
| 48VAC | 20013-83 | 315 | | |
| 120VAC | 20013-84 | 2025 | | |
| 240VAC | 20013-85 | 8000 | | |

100C Series DC

| VOLTAGE | P/N | RESISTANCE IN OHMS ± 10% | NOMINAL COIL POWER | HOLDING FORCE @ 24VDC (OUNCES) |
|---------|----------|--------------------------------|--------------------------|--|
| 6VDC | 20014-80 | 30 | 1.2W | 100% Cold – 33.5 100% Hot – 27 85% Cold – 29.5 85% Hot – 22 |
| 12VDC | 20014-81 | 120 | | |
| 24VDC | 20014-82 | 480 | | |
| 48VDC | 20014-83 | 1850 | | |
| 110VDC | 20014-84 | 10,000 | | |

Non Stock Minimum May Be Required.