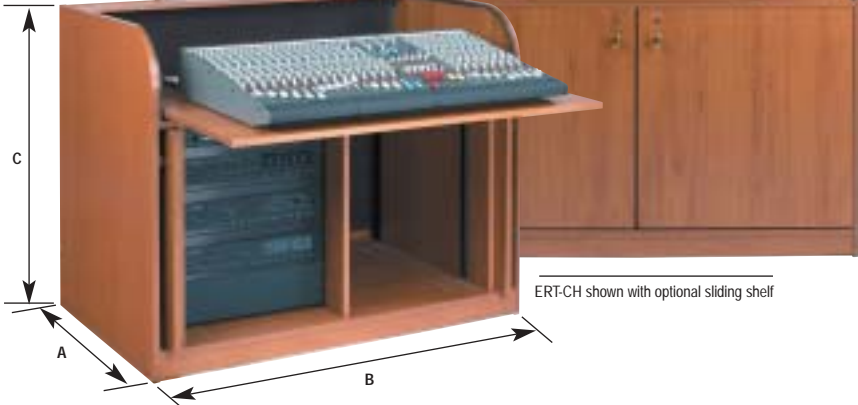


ERT RACKS

ERT elite roll top rack

Providing sufficient area for housing most 32-channel mixers along with 28 spaces of rackmount equipment, the ERT Elite Roll-Top is a secure, semi-portable audio/video control center. The locking roll-top cover prevents unauthorized users from accessing mixer controls, while two locking pocket doors cover the two 14-space rack bays. Locking rear doors provide additional security and complete the overall appearance. The heavy duty industrial casters allow for easy indoor transport. Constructed of 3/4" melamine with brass-plated hardware, rack ships assembled via common carrier. The ERT features a curved facade with ultra strong tracking system and ball bearing action. Available in a handsome walnut finish and cherry melamine to enhance all possible institutional settings. A steel version with clear anodized aluminum roll top is our latest entry. Its rugged construction is ideal where maximum security is essential.

Mixer Surface Area: 46" W x 25" D

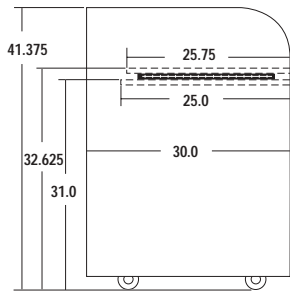


ERT-CH shown with optional sliding shelf

finishes



ERT-DT/WT shown closed. Desk sold separately, see page 26.



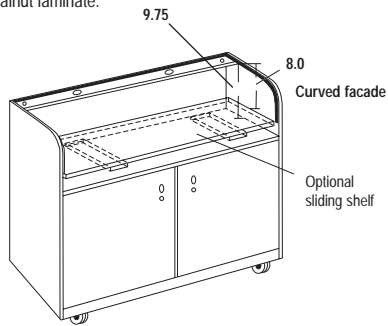
Side View

ERT-DT elite roll top desk top

Similar in application to the standard ERT, but without rack space below, this unit is designed to be placed on existing furniture for the purpose of housing a mixing console in a safe and secure manner. This model also sports the new curved facade as the standard ERT. Cherry or walnut finish available.

ERT-SL elite roll top sliding shelf

Optional sliding shelf now available for standard ERT. Easily mounts inside console section on heavy duty sliders. Overall height of the standard ERT has been reduced to accommodate seated operation of console. Cherry or walnut laminate.



finishes



Model	Overall Width (A)	Overall Depth (B)	Overall Height (C)	Overall Height w/casters
ERT-CH/WT	47.5"	30.0"	39.5"	41.375"
ERT-DT/CH or WT	47.5"	30.0"	12"	n/a
ERT-ST	48.0"	34.0"	39.625"	44.0"

ERT-ST

